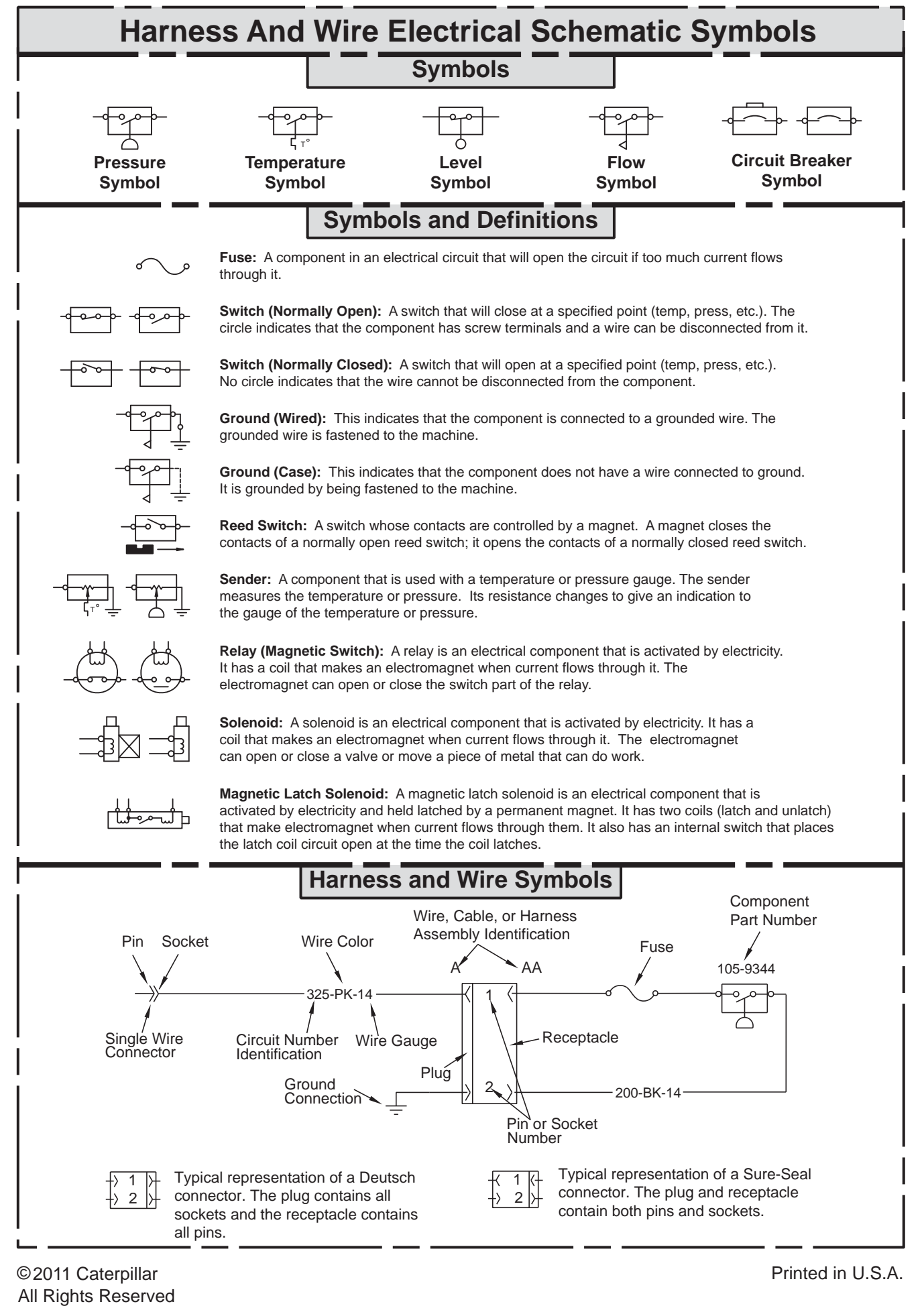


Schematic

325 L Excavator 320, 325, and 330 Feller Buncher 320, 325, and 330 Log Loader Electrical System - Attachment

320: 9KK1-UP
325: 8NK1-UP
330: 8FK1-UP

Feller Buncher / Log Loader



IDENT	PART NO.	IDENT	PART NO.
A	100-3975	A	100-3975
B	100-4379	B	100-4379
C	101-3427	C	101-3427
D	108-2986	D	100-4382
E	9U-3611	E	9U-3611
F	9U-3537	F	9U-3537

UNLESS OTHERWISE SPECIFIED, ALL WIRES ARE 16 GAUGE

THIS SCHEMATIC IS FOR THE 320, 325, AND 330 LOG LOADER PART NUMBER 8007292. CHANGE OF VERSION.

Components are shown installed on a fully operable machine with the key and engine off, and with parking brake set.

Refer to the appropriate Service Manual for Troubleshooting, Specifications and Systems Operations.

Off Machine Switch Specification

Part No.	Function	Actuate	Deactuate	Contact Position
9U-3611	Pilot Pressure	293 kPa MAX (230.0 ± 20 psi)	133.4 ± 3.0 psi	Normally Open

Solenoid Specifications

Part No.	Component Description	Resistance (Ohms)
9U-3611	Solenoid - Rotate	13.9

1. Ambient temperature unless otherwise noted.

Component Location

Machine Location	Component	Schematic Location
A	Diode	B-7
A	Diode	B-8
A	Diode	F-7
A	Diode	F-8
1	Fuse	A-5
1	Relay - Grapple	A-5
2	Solenoid - Grapple	B-4
3	Solenoid - Rotate CW	C-4
3	Solenoid - Rotate CCW	C-4
D	Switch - Grapple	E-5
B	Switch - Grapple	C-5
D	Switch - Horn	F-5
B	Switch - Load Idle	B-5
B	Switch - Pilot Pressure	B-4
D	Switch - Rotate CW	E-6
B	Switch - Rotate CCW	C-5

Machine locations are repeated for components located close together.

A = Components under platform.
B = Components on right joystick.
D = Components on left joystick.

320 Harness Connector Location

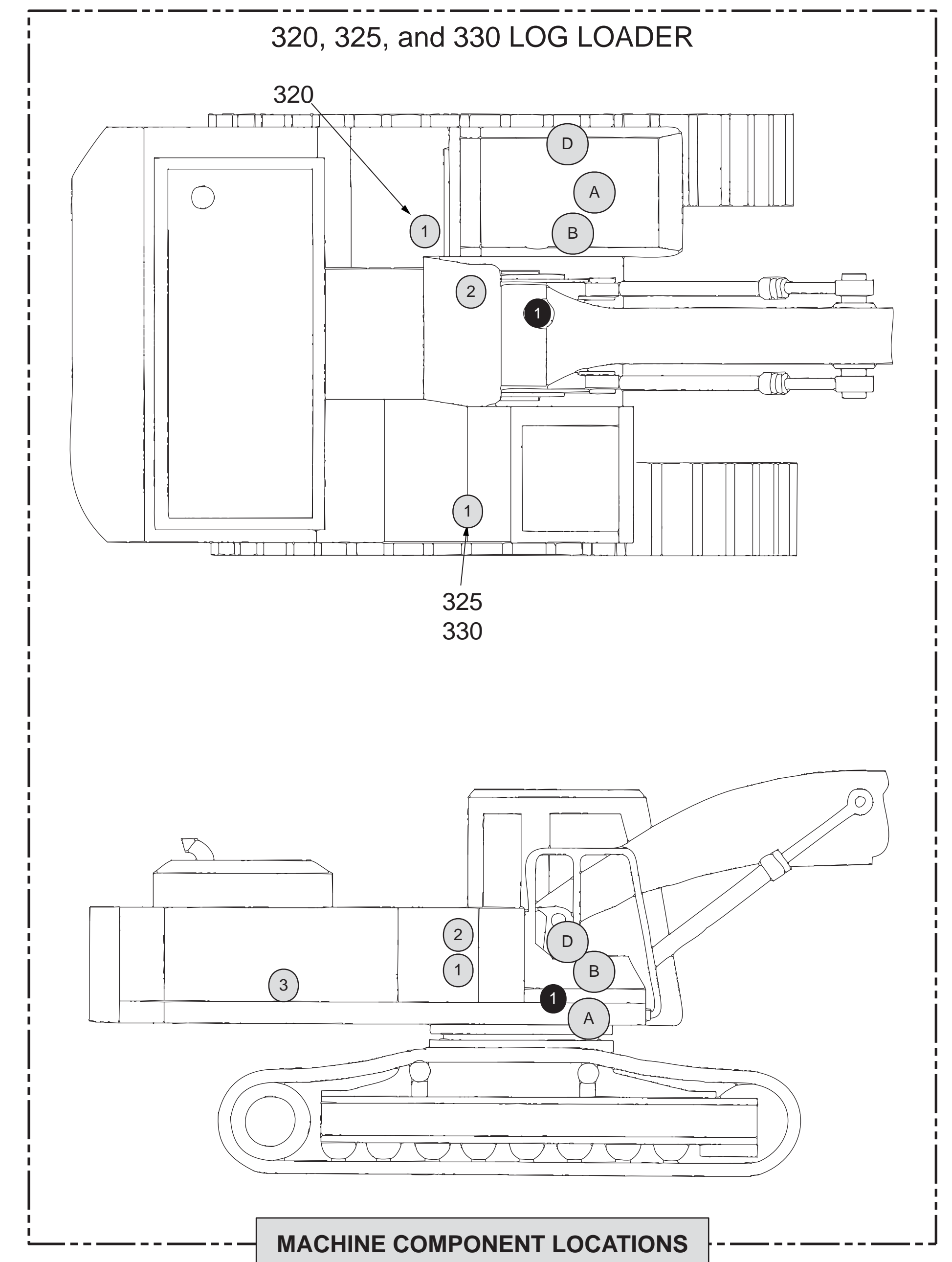
Connectors	Machine Location	Harness and/or Components	Schematic Location
8 Contacts	A	B-1004379 - Not Used	D-2
	A	B-1004379 C-1004380	D-3
	A	C-1004380 D-108-2986	C-3
6 Contacts	A	A-1003975 B-1004379	C-6
	A	A-1003975 B-1004379	E-6
4 Contacts	A	D-1082986 Grapple Solenoid	B-4

325 and 330 Harness Connector Location

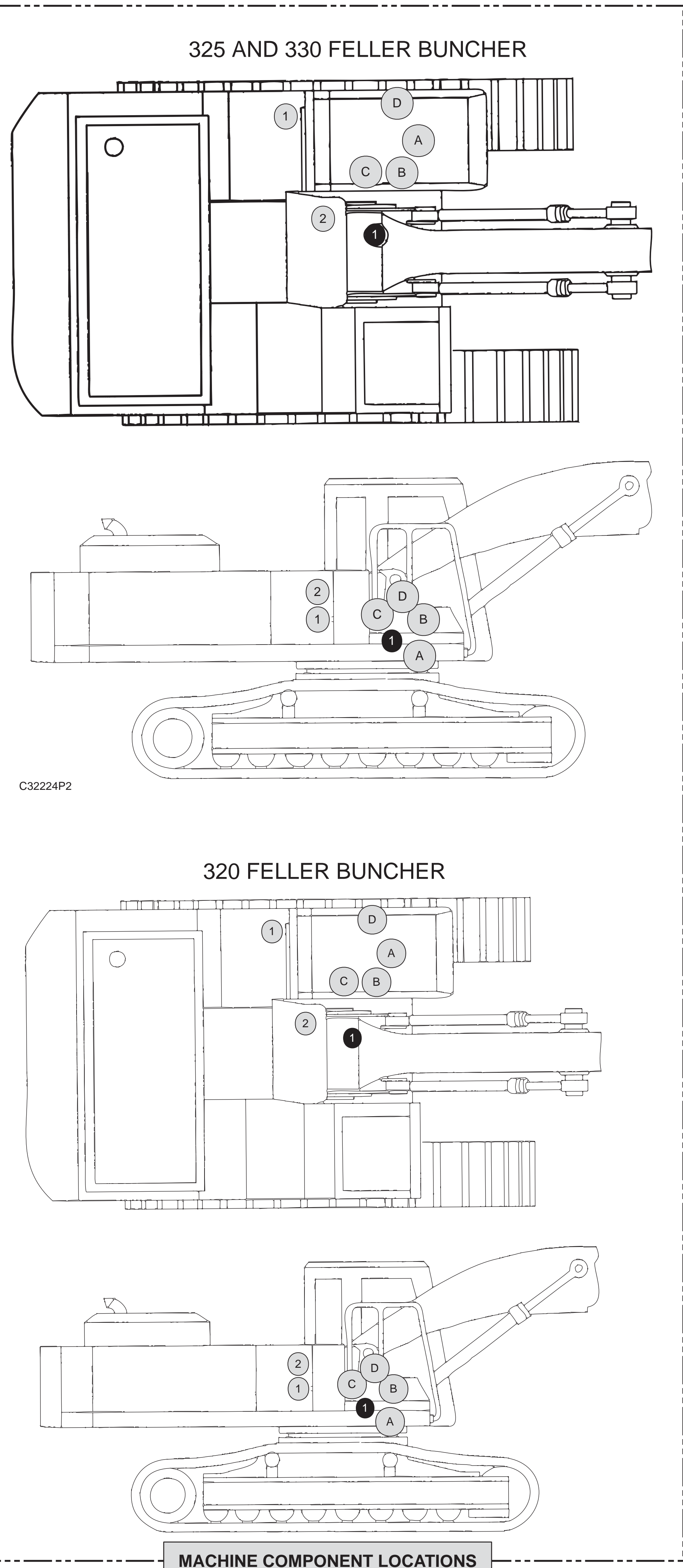
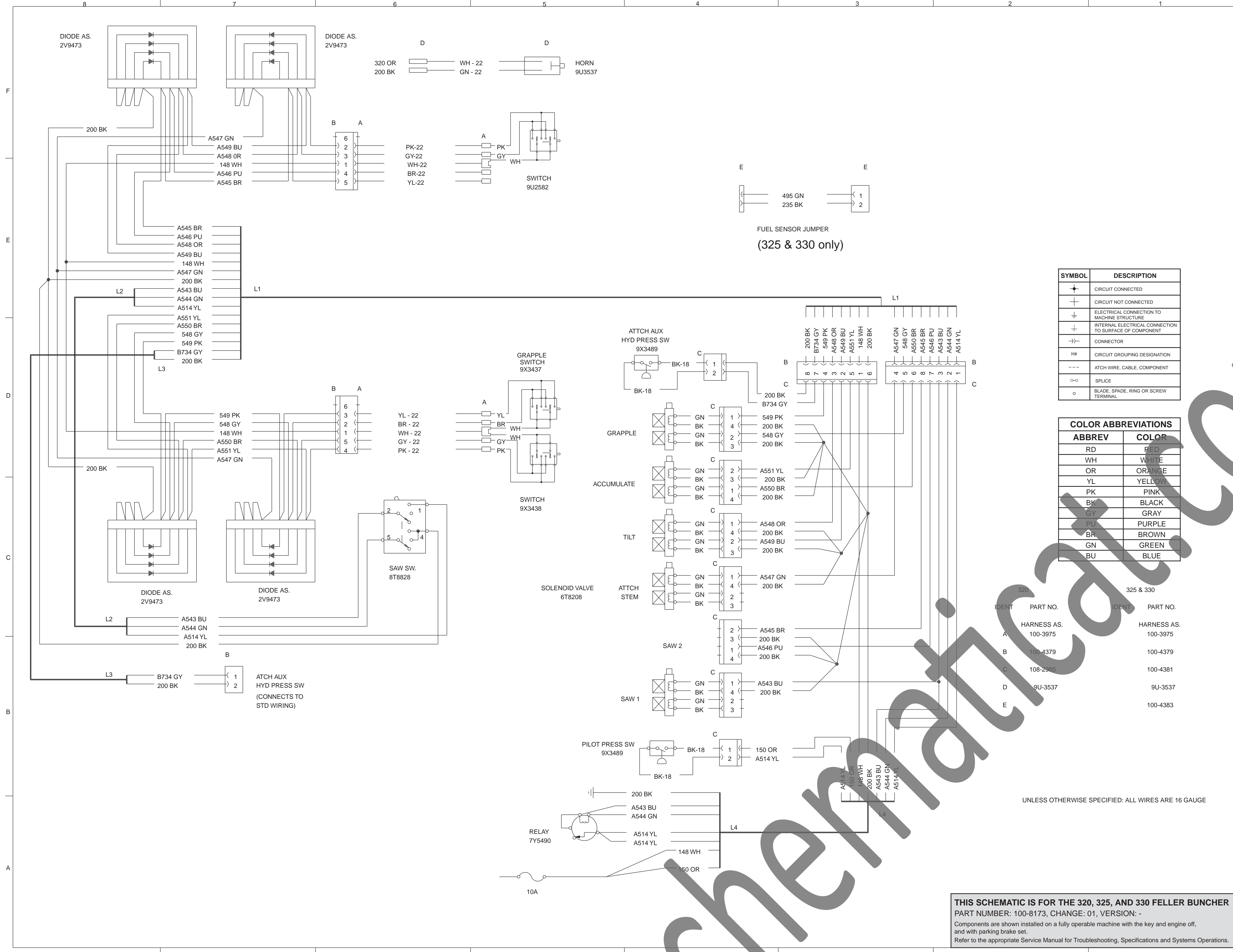
Connectors	Machine Location	Harness and/or Components	Schematic Location
8 Contacts	A	B-1004379 - Not Used	D-2
	A	B-1004379 C-1004380	D-3
	A	C-1004380 D-108-2986	C-3
6 Contacts	A	A-1003975 B-1004379	C-6
	A	A-1003975 B-1004379	E-6
4 Contacts	A	D-1082986 Grapple Solenoid	B-4

Machine locations are repeated for connectors located close together.

* = Connector is located at the component.
A = Connector is located under platform.



FELLERBUNCHER



SEN5479-03
30 Page, (Dimensions: 39 inches x 28 inches)

Off Machine Switch Specification

Part No.	Function	Active	Deactive	Contact Position
9X3489	Pilot Pressure	293 kPa MAX	230 ± 20 kPa	Normally Open
	Attachment Aux Hydraulic Pressure	(42.5 psi MAX)	(33.4 ± 3.0 psi)	

Solenoid Specifications

Part No.	Component Description	Resistance (Ohms)
6T8208	Solenoid - Saw	24.9
	Solenoid - Tilt	

* At room temperature unless otherwise noted.

320 Harness Connector Location

Connectors	Machine Location	Wiring Harness Connector	Schematic Location
8 Contacts	B	B-1004379	D-2
		B-1004379	D-3
		C-108-2985	D-3
6 Contacts	A	A-1003975	D-6
		B-1004379	D-6
		C-108-2985	D-6
4 Contacts	-	C-108-2985	D-4
	-	C-108-2985	D-4
	-	C-108-2985	D-4
	-	C-108-2985	D-4

325 and 330 Harness Connector Location

Connectors	Machine Location	Wiring Harness Connector	Schematic Location
8 Contacts	B	B-1004379	D-2
		B-1004379	D-3
		C-108-2985	D-3
6 Contacts	A	A-1003975	D-6
		B-1004379	D-6
		C-108-2985	D-6
4 Contacts	-	C-108-2985	D-4
	-	C-108-2985	D-4
	-	C-108-2985	D-4
	-	C-108-2985	D-4

Machine locations are repeated for connectors located close together.
* = Connector is located at the component.
A = Connector is located under platform.

Component Location

Machine Location	Component	Schematic Location
A	Diode	C-7
A	Diode	C-8
A	Diode	F-7
A	Diode	F-8
1	Fuse	A-5
1	Relay - Saw	A-5
2	Solenoid - Accumulate	C-4
2	Solenoid - Attachment	C-4
2	Solenoid - Grapple	D-4
2	Solenoid - Saw	B-4
2	Solenoid - Tilt	C-4
B	Switch - Accumulate	D-5
2	Switch - Atch Aux Hyd Press	D-4
B	Switch - Grapple	D-5
2	Switch - Pilot Pressure	B-4
C	Switch - Saw	C-6
D	Switch - Tilt	C-5

Machine locations are repeated for components located close together.
A = Components under platform.
B = Components on right joystick.
C = Components on operators right console.
D = Components on left joystick.