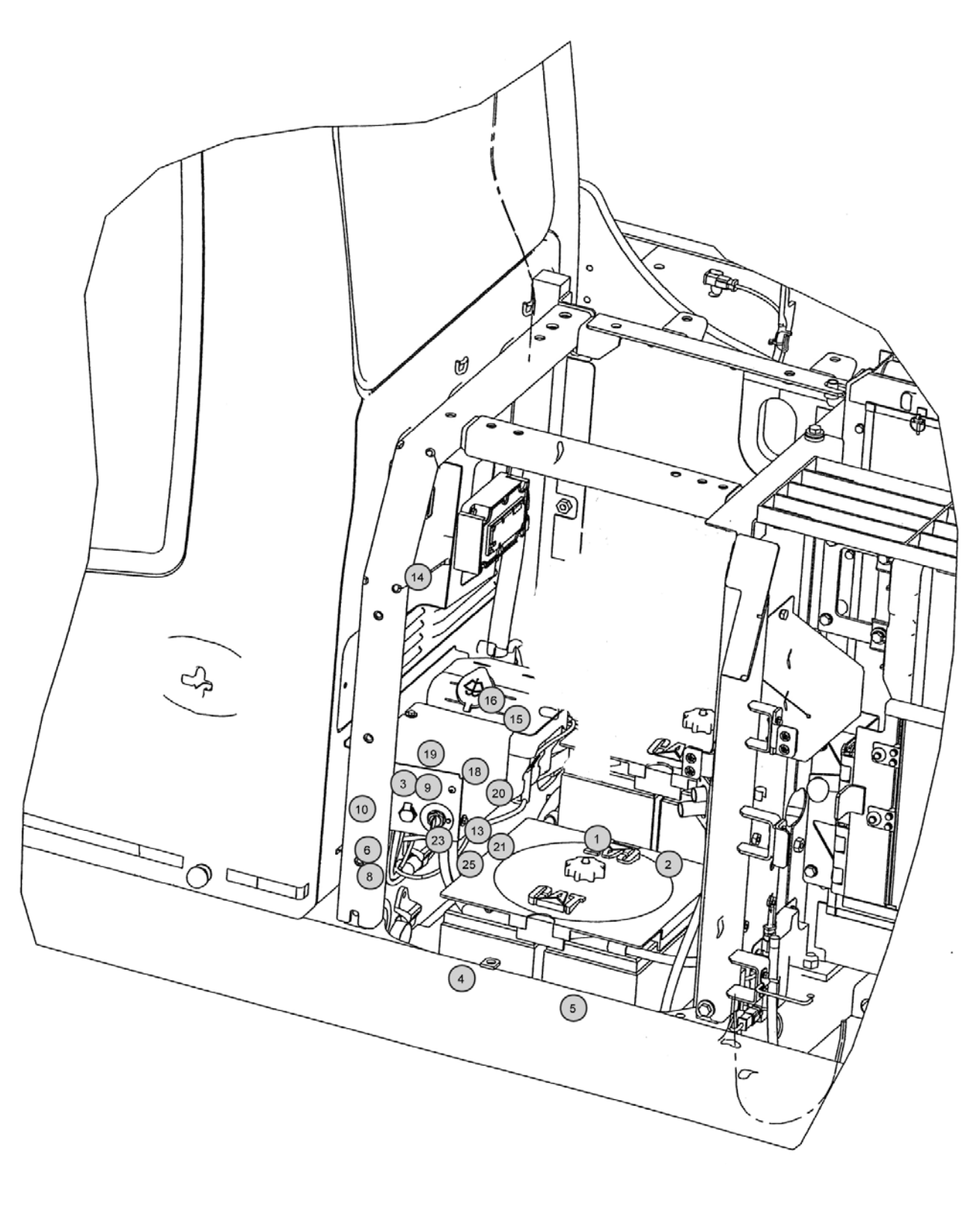
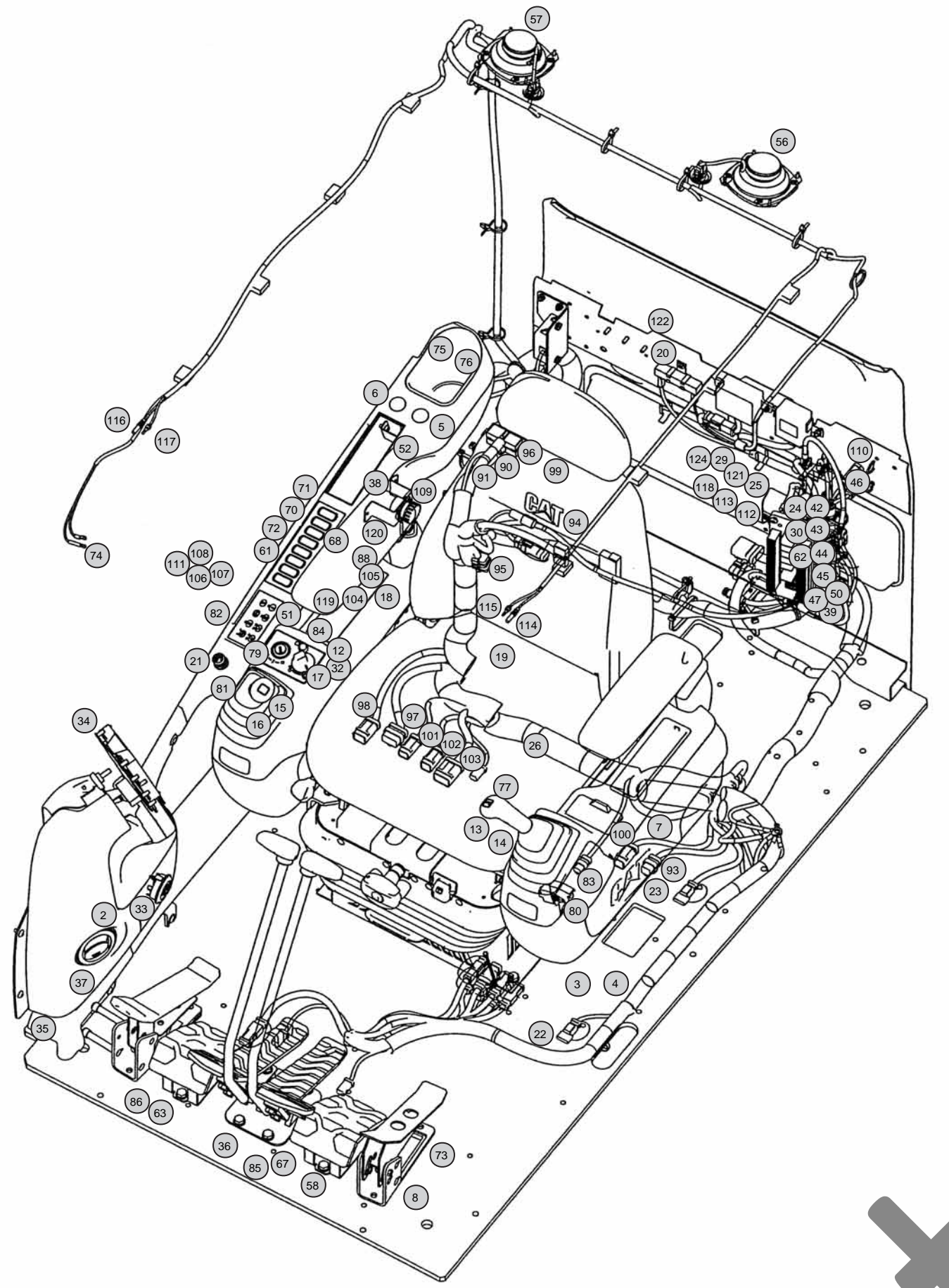


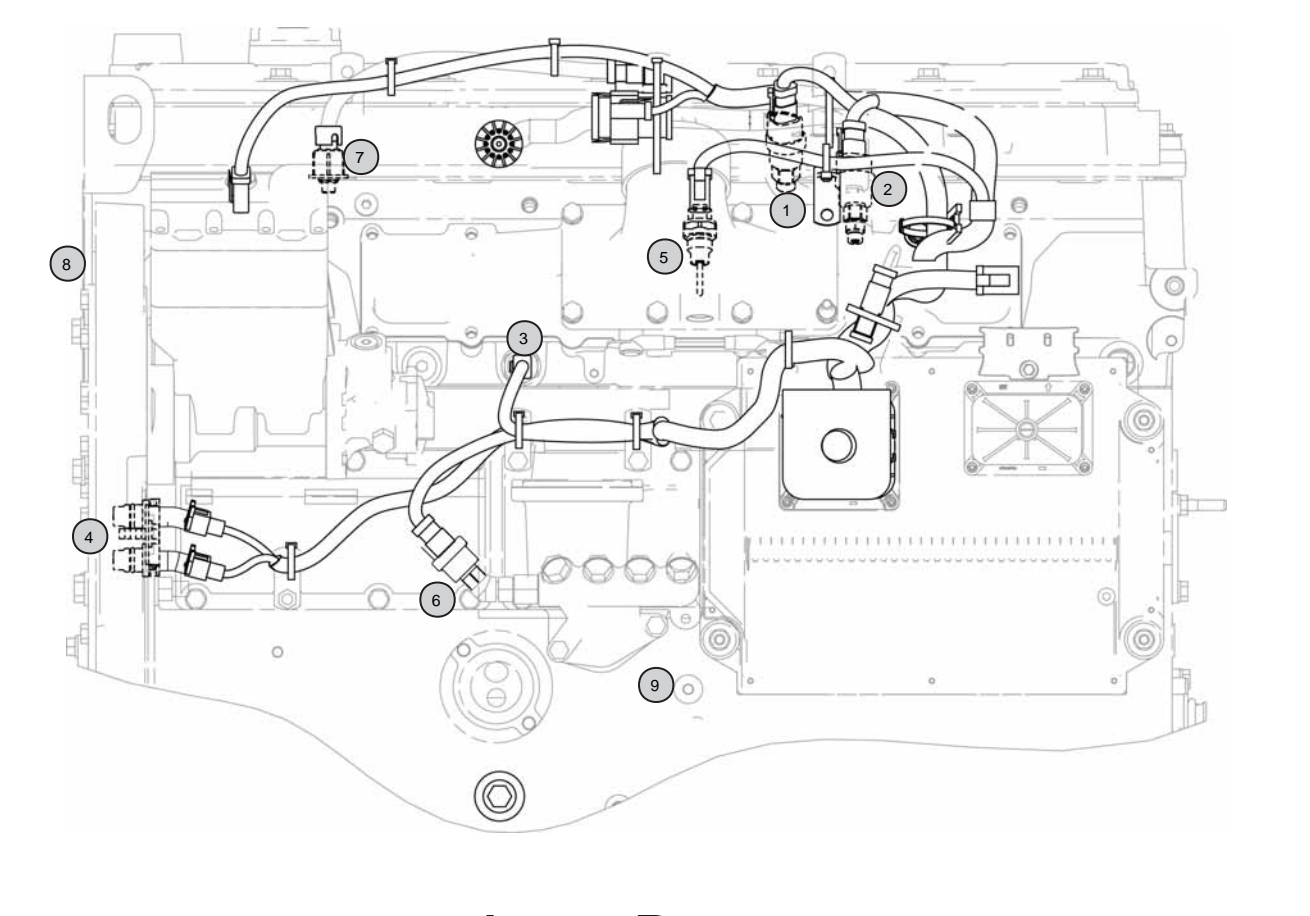
Wire Description table with columns: Wire Number, Wire Color, Description, Wire Number, Wire Color, Description.



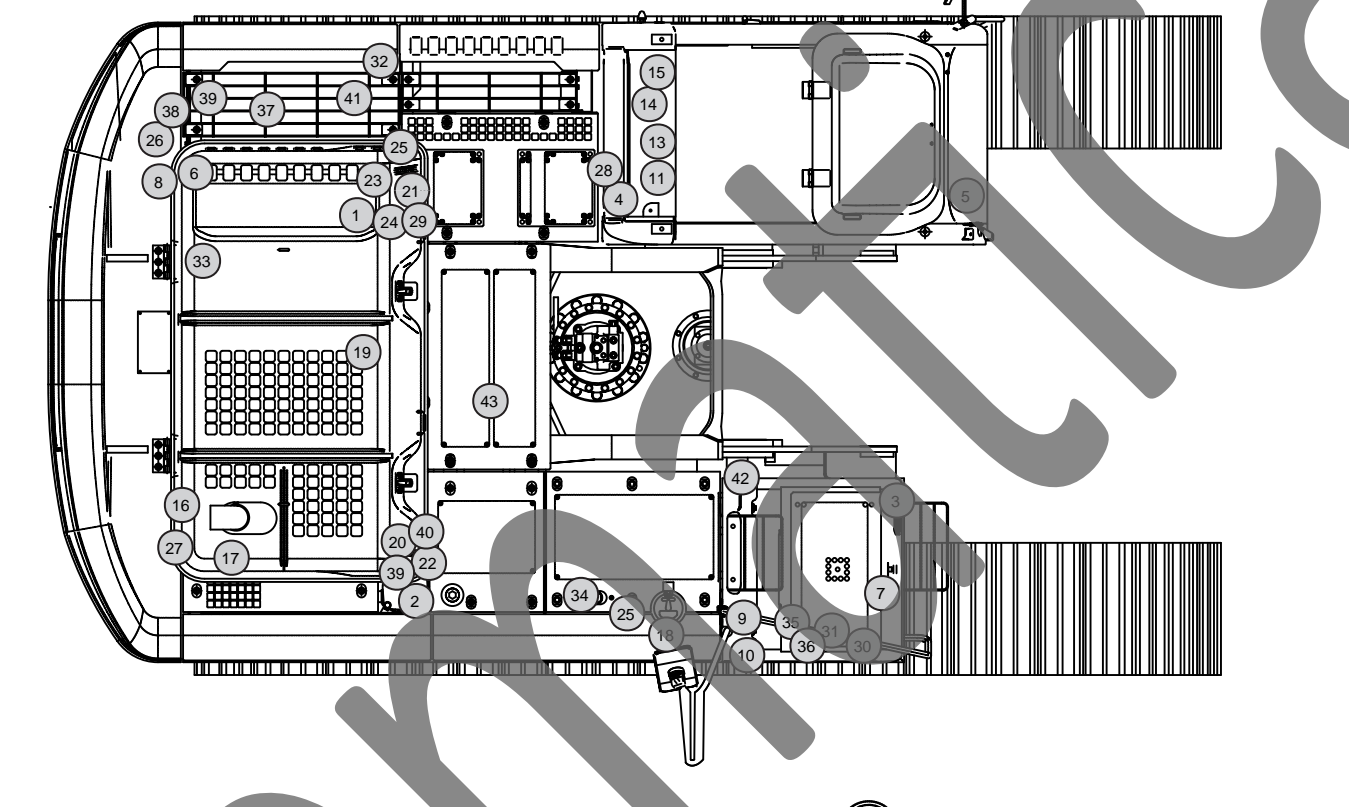
Area D



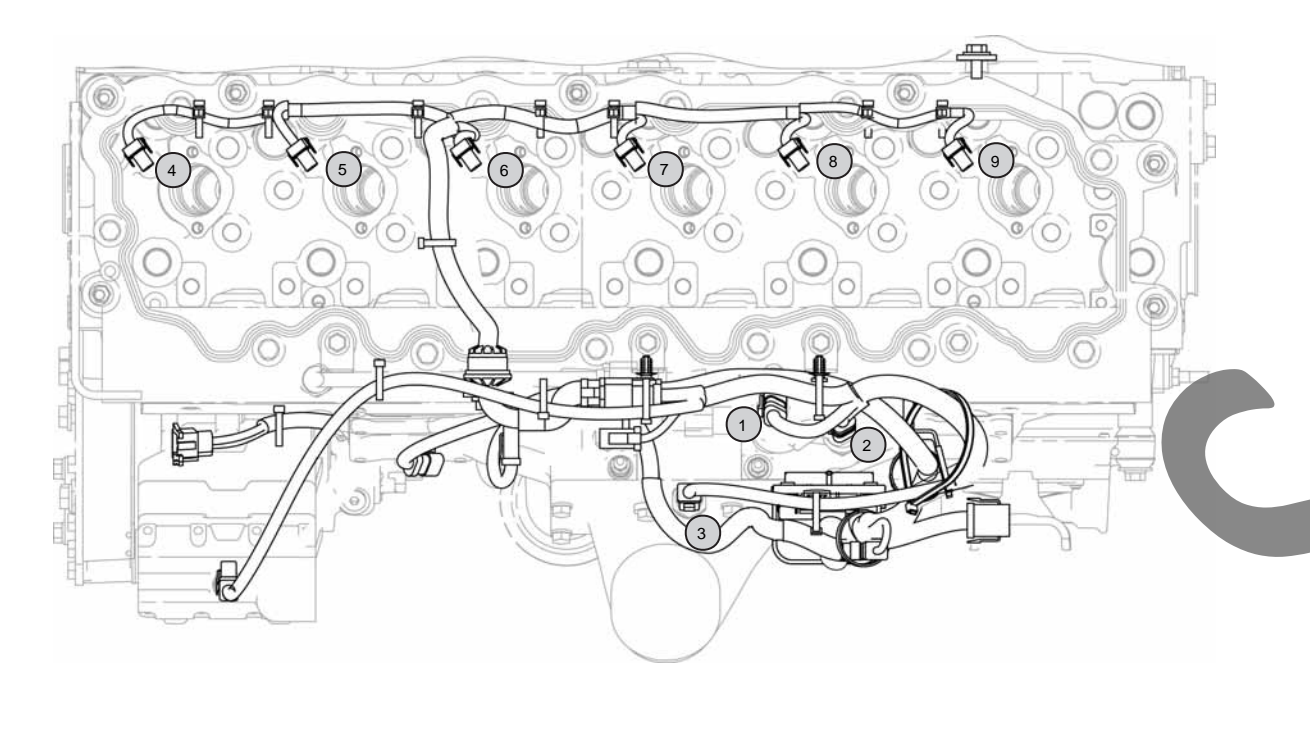
Area C



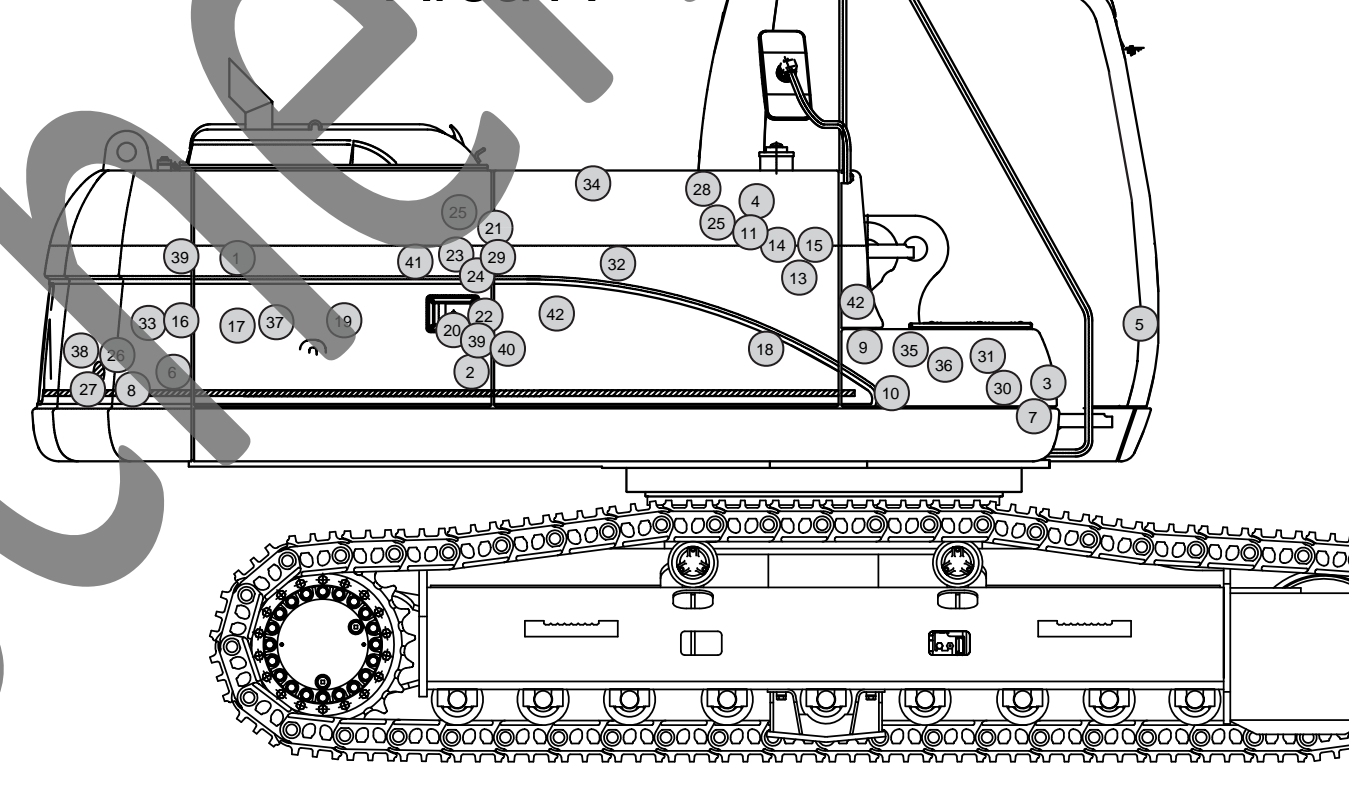
Area B



Area A



Area E



Machine Harness Connector And Component Locations



KENR8211 April 2007

Harness And Wire Electrical Schematic Symbols section containing various symbols and their definitions.

Schematic 325D MHPU Excavator Electrical System

H3N1-UP

Table listing Component Location with columns: Component, Schematic Location, Machine Location, Component, Schematic Location, Machine Location.

Table listing Connector Location with columns: Connector Number, Schematic Location, Machine Location, Component Identifiers (CID).

Table listing Event Codes Engine Control with columns: Event Code, Condition.

Table listing Failure Mode Identifiers (FMI) with columns: FMI No., Failure Description.

Table listing Off Machine Switch Specification with columns: Part No., Function, Actuation, Deactuation, Contact Position.

The CID is a diagnostic code that indicates what type of failure has occurred.

