

Schematic

120H Motor Grader ES Version Hydraulic Systems

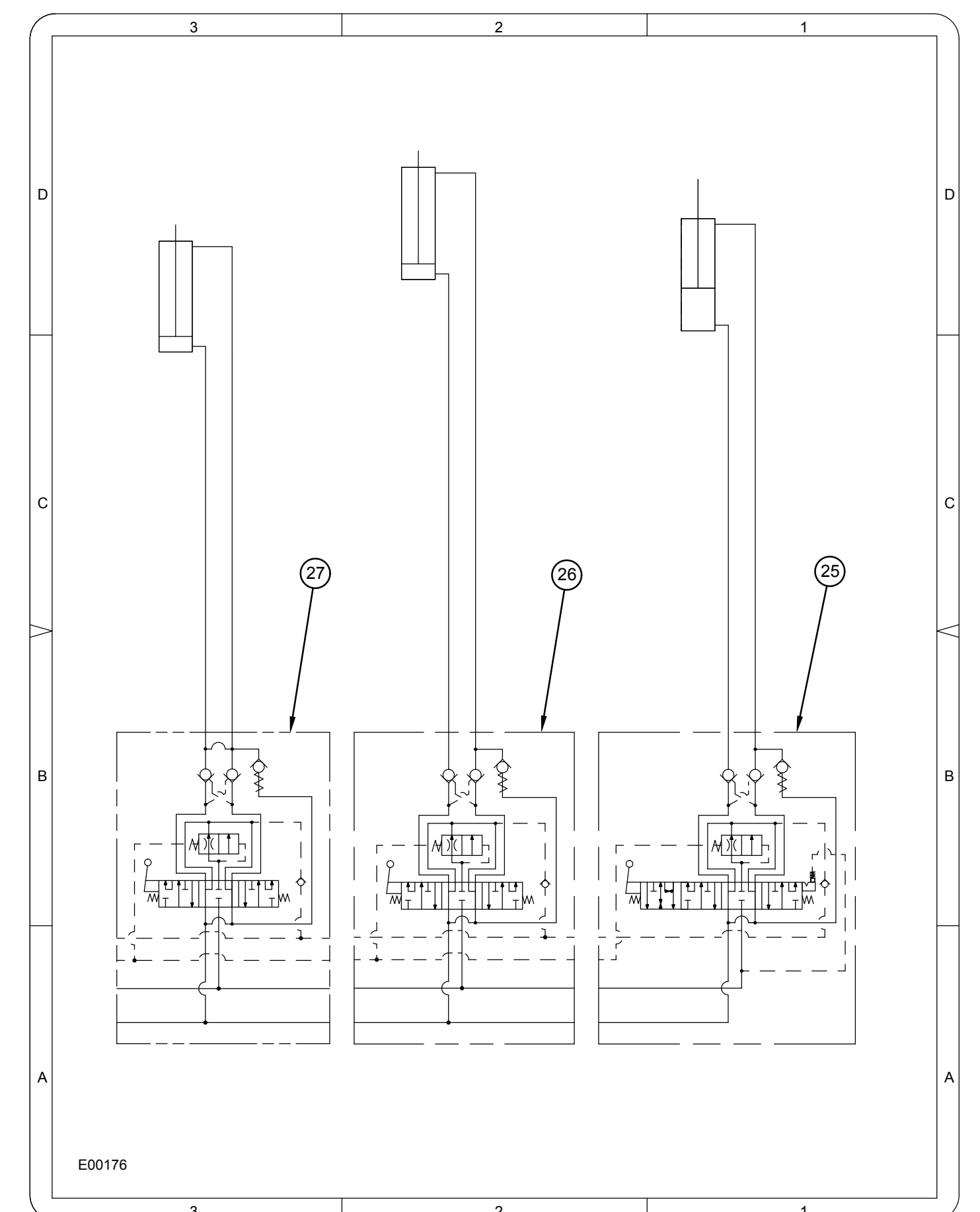
9YR330-Up

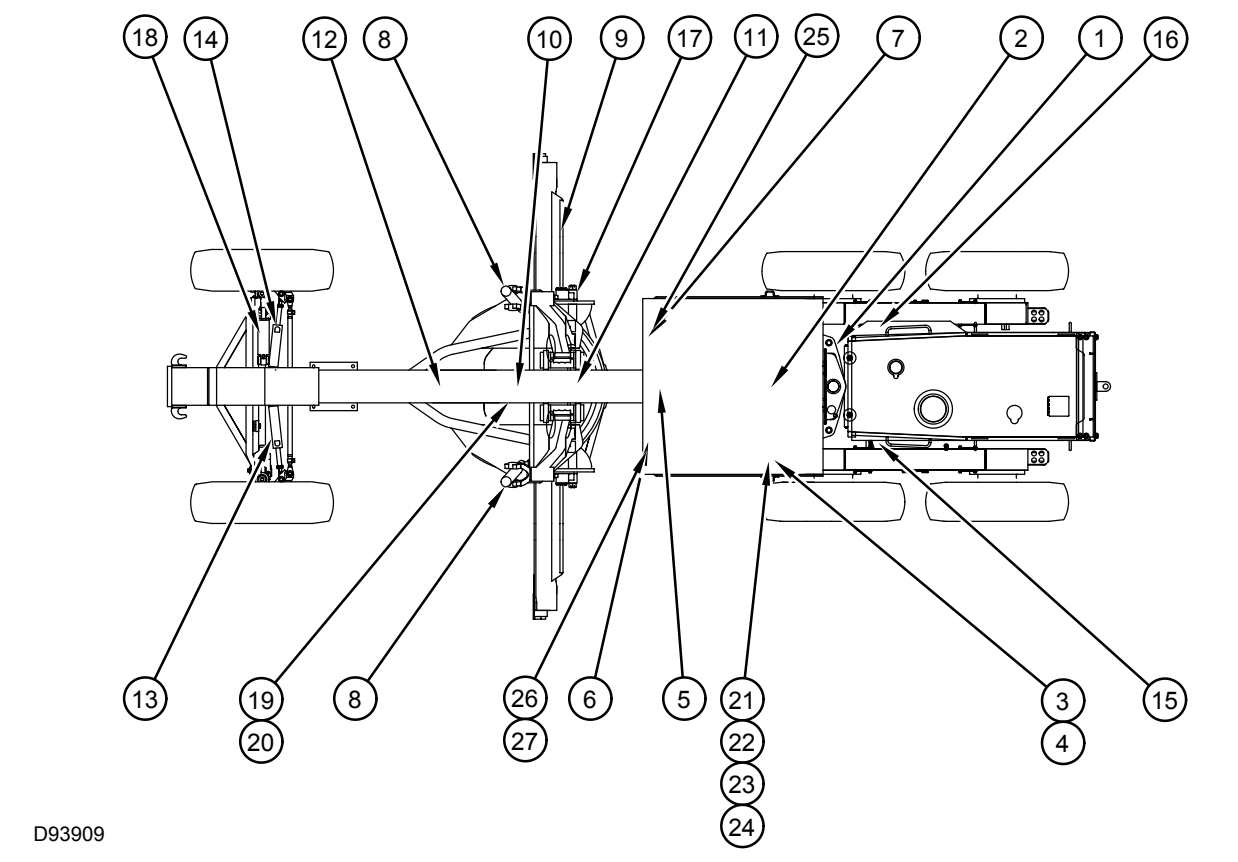
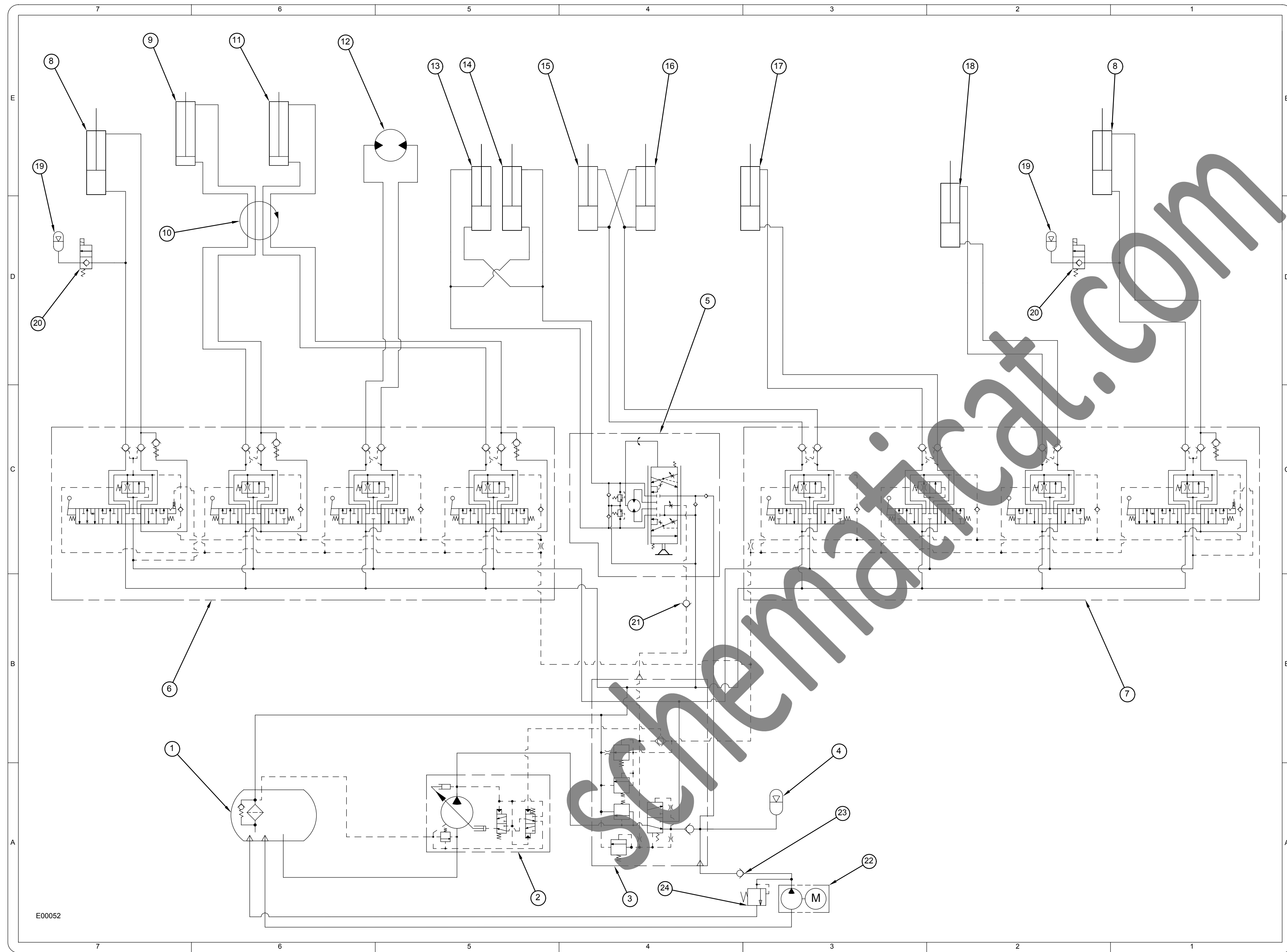
SchematicCat.com

Attachment Circuits		
Machine Location Item No.	Component Description	Schematic Location
25	Snow Plow/Bulldozer Control Valve	C-1
26	Scarifier Control Valve	C-2
27	Ripper Control Valve	C-3

© 1997 Caterpillar
All Rights Reserved

Printed in U.S.A.





D93909

Hydraulic Sytem For Implement And Steering Circuits		
Machine Location Item No.	Component Description	Schematic Location
1	Hydraulic Tank and Filter	B-7
2	Hydraulic and Steering Pump	A-5
3	Combination Valve	A-4
4	Steering Accumulator	B-3
5	Steering Metering Pump	D-4
6	Left Implement Control Valve Group	B-7
7	Right Implement Control Valve Group	B-1
8	Blade Lift Cylinder	E-1, E-7
9	Sideshift Cylinder	E-7
10	Swivel	D-7
11	Blade Tip Cylinder	E-6
12	Grd Drive	E-6
13	Left Steering Cylinder	E-5
14	Right Steering Cylinder	E-5
15	Left Articulation Cylinder	E-5
16	Right Articulation Cylinder	E-4
17	Centershift Cylinder	E-3
18	Wheel Lean Cylinder	E-2
19	Blade Cushion Accumulators	E-2, E-7
20	Blade Cushion Solenoid Valves	D-2, D-7
21	Secondary Steering Check Valve	B-4
22	Secondary Steering Hydraulic Pump	A-3
23	Secondary Steering Check Valve	A-3
24	Attachment	A-4

n Attachment