

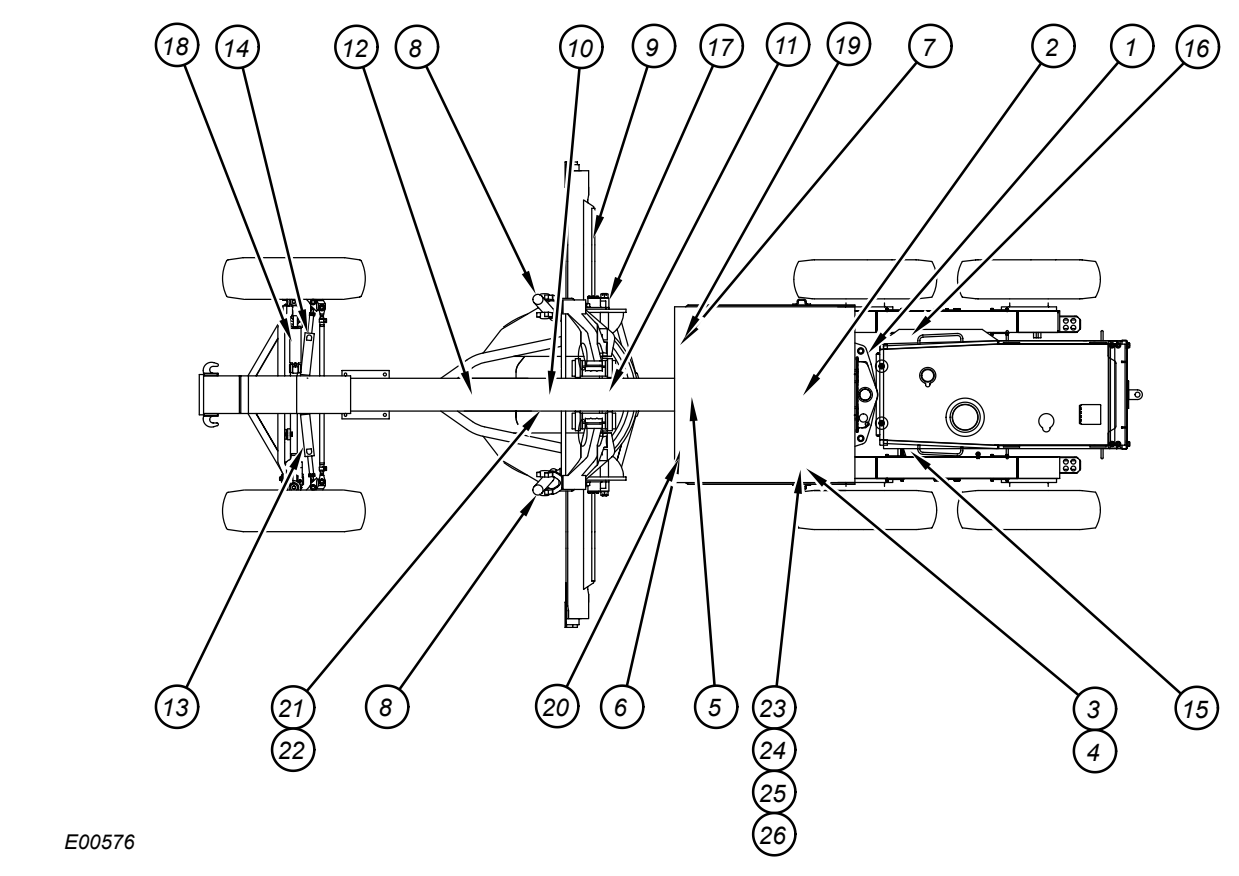
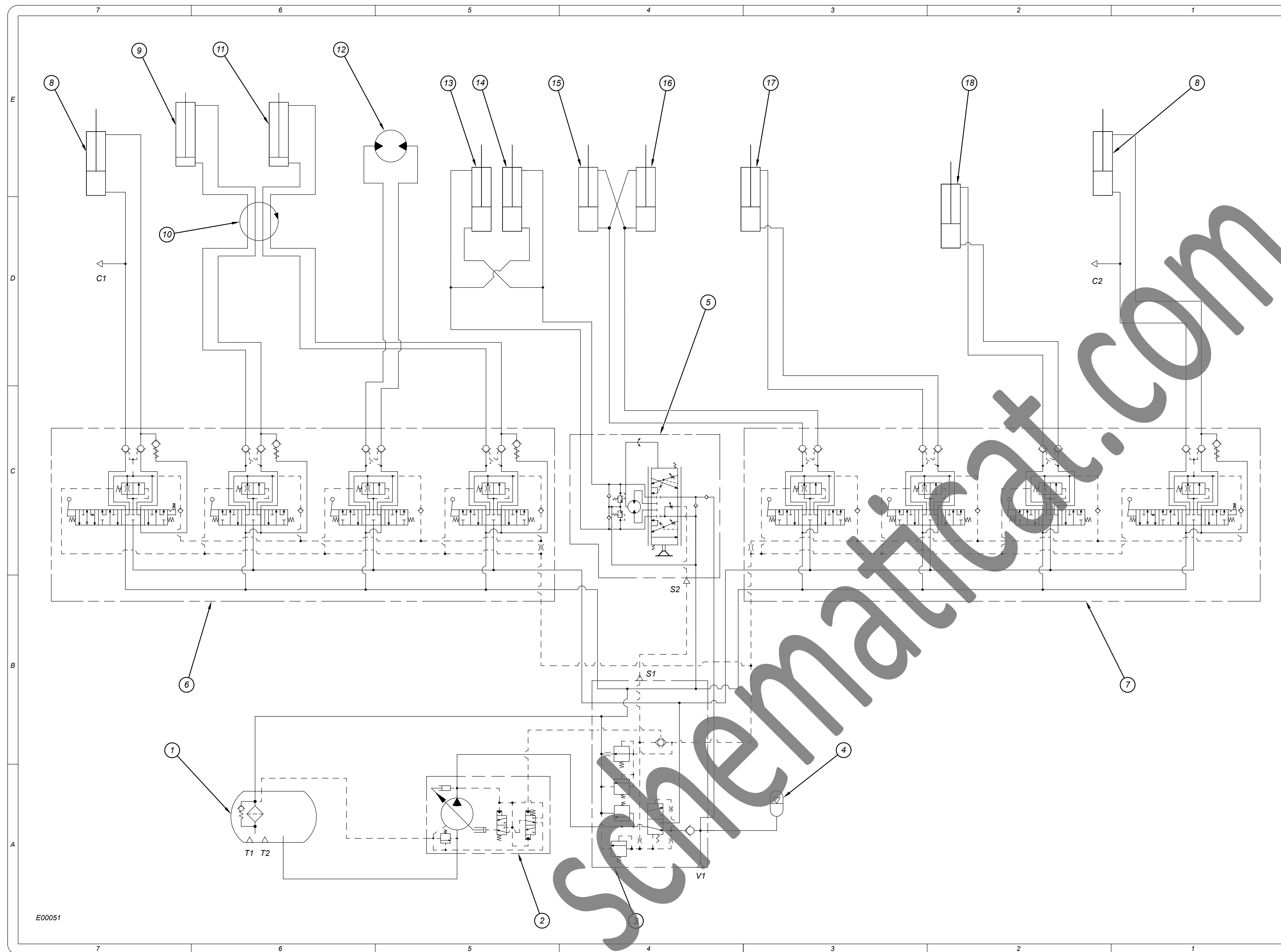
Schematic

120H & 135H Motor Graders (NA Versions) Hydraulic Systems

3YK267-UP
4MK404-UP
6YN1-UP
BDJ1-UP

SchematicCat.com

Attachment Circuits		
Machine Location Item No.	Component Description	Schematic Location
19	Snow Plow/Bulldozer Control Valve	C-1
20	Scarifier Control Valve	C-3
21	Blade Cushion Accumulators	D-2
22	Blade Cushion Solenoid Valves	D-2
23	Secondary Steering Check Valve	B-2
24	Secondary Steering Hydraulic Pump	B-2
25	Secondary Steering Check Valve	A-3
26	Secondary Steering Relief Valve	B-3



Hydraulic System For Implement and steering Circuits		
Machine Location	Component Description	Schematic Location
1	Hydraulic Tank And Filter	B-7
2	Hydraulic And Steering Pump	A-5
3	Combination Valve	A-3
4	Steering Accumulator	B-3
5	Steering Metering Pump	D-4
6	Left Implement Control Valve Group	B-7
7	Right Implement Control Valve Group	B-1
8	Blade Lift Cylinders	E-1,E-7
9	Sideshift Cylinder	E-7
10	Swivel	D-7
11	Blade Tip Cylinder	E-6
12	Circle Drive	E-6
13	Left Steering Cylinder	E-5
14	Right Steering Cylinder	E-5
15	Left Articulation Cylinder	E-5
16	Right Articulation Cylinder	E-4
17	Centershift Cylinder	E-3
18	Wheel Lean Cylinder	E-2