

844 Wheel Tractor  
Hydraulic Schematic  
Steering and Fan System

F05087

194-3429

# Schematic

## 844 Wheel Tractor Hydraulic System

BCR1-UP

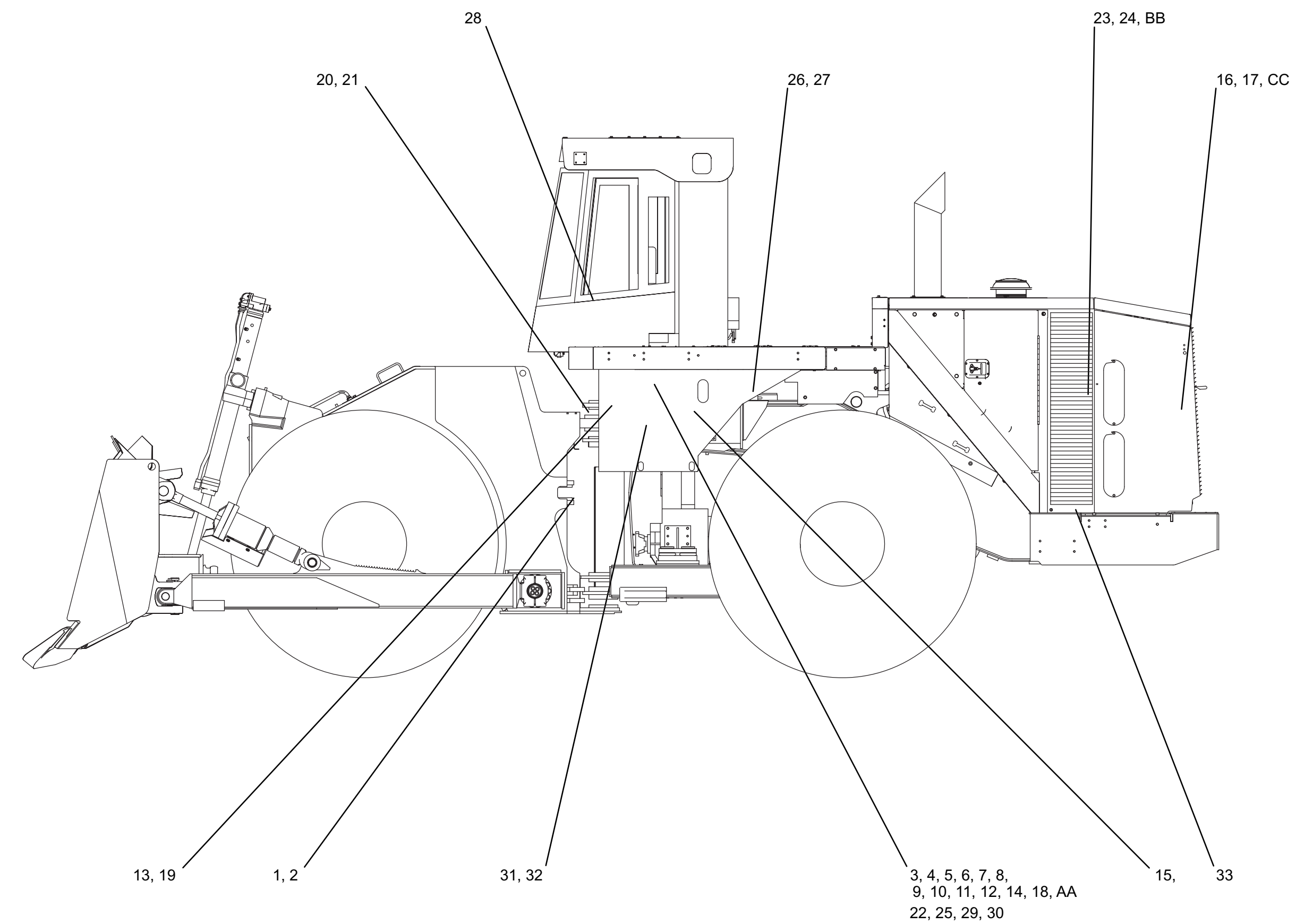
| Chart A<br>844 Hydraulic Component Locations |      |          |  |          |
|--|------|----------|--|----------|
| Item   | Qty. | Part No. | Name   | Location |
| 1  | 1    | 6E-1244  | Steering Cylinder (Left)                                 | A1       |
| 2  | 1    | 9T-9568  | Steering Cylinder (Right)                                | A2       |
| 3a   | 1    | 6E-2925  | Steering Valve (Standard)                                | A3       |
| 3b   | 1    | 6E-2923  | Steering Valve (With Secondary Steering)                 | A3       |
| 4  | 1    | 6E-3985  | Relief Valve (Steering Cylinder Crossover)               | A1       |
| 5  | 1    | 4T-1860  | Valve (Ball Resolver)                                    | A3       |
| 6  | 1    | 7J-7423  | Check Valve (Secondary Steering Pump)                    | A5       |
| 7  | 1    | 2U-7345  | Diverter Valve (Secondary Steering)                      | A5       |
| 8  | 2    | 4B-9782  | Ball (Steering Cylinder Makeup Valve)                    | B2       |
| 9  | 1    | 6E-3780  | Valve (Primary Steering Pump Check)                      | B4       |
| 10   | 1    | 6E-3776  | Stem (Steering Valve)                                    | B1       |
| 11   | 1    | 100-4335 | Relief Valve (Pump Backlog)                              | B3       |
| 12   | 1    | 6E-3986  | Relief Valve (Secondary Steering)                        | C5       |
| 13   | 2    | 176-9369 | Check Valve (Steering)                                   | C2       |
| 14   | 1    | 6E-4286  | Pressure Reducing Valve (Steering)                       | C4       |
| 15   | 1    | 101-4007 | Secondary Steering Pump                                  | C4       |
| 16   | 1    | 159-7166 | Piston Motor (Hydraulic Fan)                             | D4       |
| 17   | 1    | 193-9029 | Makeup Check Valve (Hydraulic Fan)                       | D2       |
| 18   | 2    | 4T-4207  | Cushion Orifice (1.2mm)                                  | C8       |
| 19   | 2    | 176-9371 | Check Valve (Steering)                                   | D2       |
| 20   | 1    | 9T-7426  | Steering Neutralizer Valve (Right)                       | D1       |
| 21   | 1    | 9T-7426  | Steering Neutralizer Valve (Left)                        | D2       |
| 22   | 1    | 6E-5566  | Selector and Pressure Control Valve (Secondary Steering) | D3       |
| 23   | 1    | 148-8978 | Hydraulic Oil Cooler (Hydraulic Fan)                     | D6       |
| 24   | 1    | 6E-1454  | Check Valve (Hydraulic Oil Cooler Bypass)                | D6       |
| 25   | 1    | 3E-6400  | Pressure Switch (Primary Steering Oil)                   | E3       |
| 26   | 1    | 196-4098 | Piston Pump (Steering)                                   | E4       |
| 27a  | 1    | 194-6800 | Piston Pump (Standard Hydraulic Fan)                     | E6       |
| 27b  | 1    | 196-7765 | Piston Pump (High Ambient Hydraulic Fan)                 | E6       |
| 28   | 1    | 1432855  | Pilot Valve  | E2       |
| 29   | 1    | 6E-5566  | Selector and Pressure Control Valve (Steering Pilot Oil) | E3       |
| 30   | 1    | 104-7108 | Check Valve  | E4       |
| 31   | 1    | 6E-3528  | Breaker Relief Valve                                     | F6       |
| 32   | 1    | 6E-4683  | Hydraulic Tank   | F6       |
| 33   | 1    | 152-7202 | Thermostatic Valve                                       | F7       |

| 844 (BCR) MEDIA REFERENCES          |  | Media Number |
|-------------------------------------|--|--------------|
| Parts Manual                        |  | SEBP3340     |
| Power Train                         |  |              |
| Specifications                      |  | REN6290      |
| Systems Operation                   |  | REN6291      |
| Testing and Adjusting               |  | REN6292      |
| Disassembly and Assembly Supplement |  | REN6294      |
| Systems                             |  |              |
| Specifications (Steering)           |  | REN6293      |
| Systems Operation (Steering)        |  | REN6294      |
| Testing and Adjusting (Steering)    |  | REN6295      |
| Specifications (Braking)            |  | REN6296      |
| Systems Operation (Braking)         |  | REN6297      |
| Testing and Adjusting (Braking)     |  | REN6298      |
| Specifications (Hydraulics)         |  | REN6276      |
| Systems Operation (Hydraulics)      |  | REN6276      |
| Testing and Adjusting (Hydraulics)  |  | REN6277      |
| System Schematics (Hydraulics)      |  | REN6278      |
| Specifications (Machine Systems)    |  | REN6045      |
| Electrical System                   |  |              |
| Schematic                           |  | REN6263      |

| Chart B<br>Pressure Tap and Sampling Port Locations |          |                           |          |
|---|----------|---------------------------|----------|
| Tap   | Part No. | Description               | Location |
| AA  | 6V-3965  | Steering Pump Cutoff      | D4       |
| BB  | 8C-3446  | Fluid Sampling Port       | D6       |
| CC  | 6V-3965  | Hydraulic Fan Pump Cutoff | E7       |
| DD  | 6V-3965  | Pilot Supply (Steering)   | F3       |

© 2002 Caterpillar  
All Rights Reserved

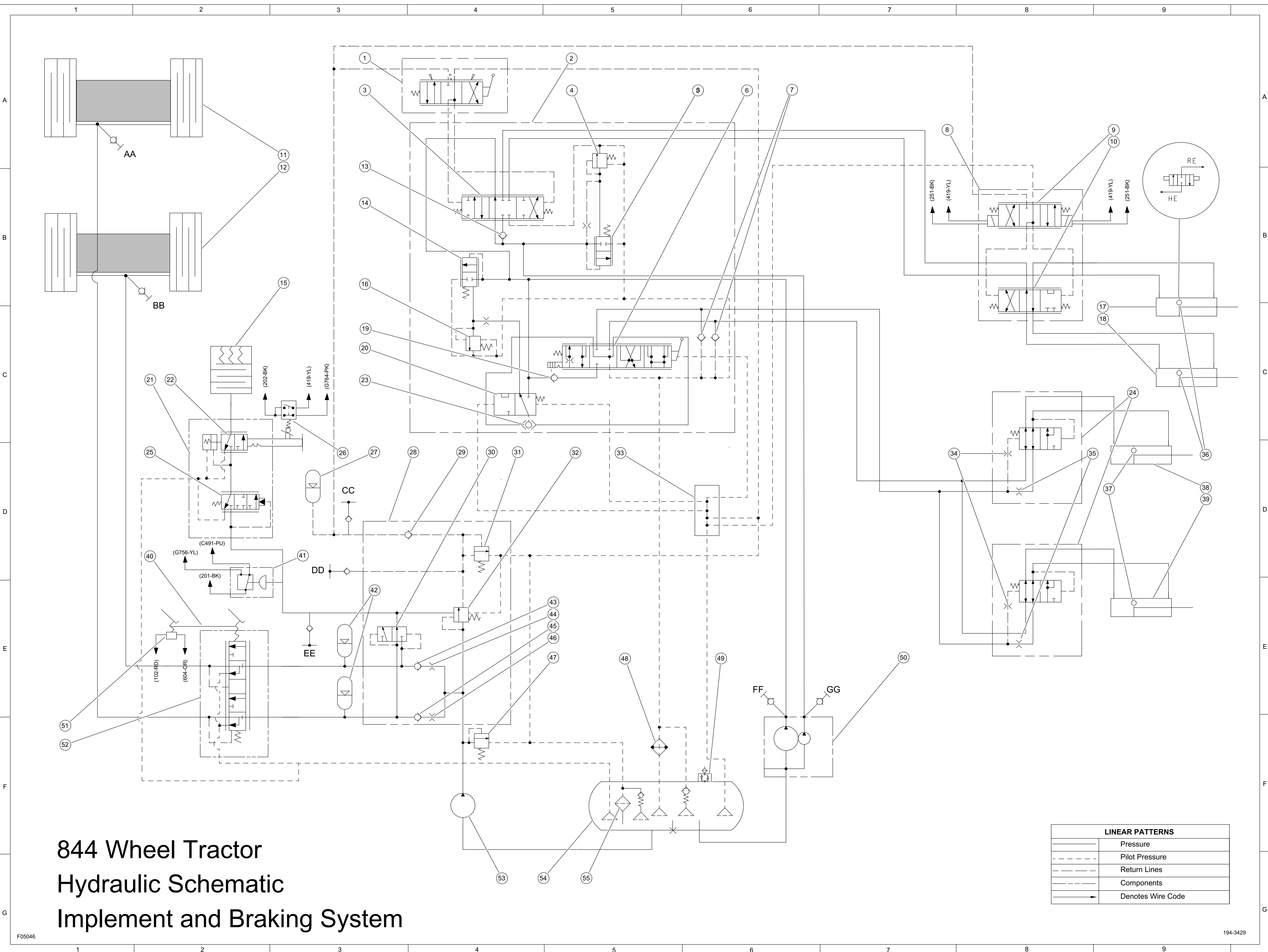
Printed in U.S.A.



REN6278

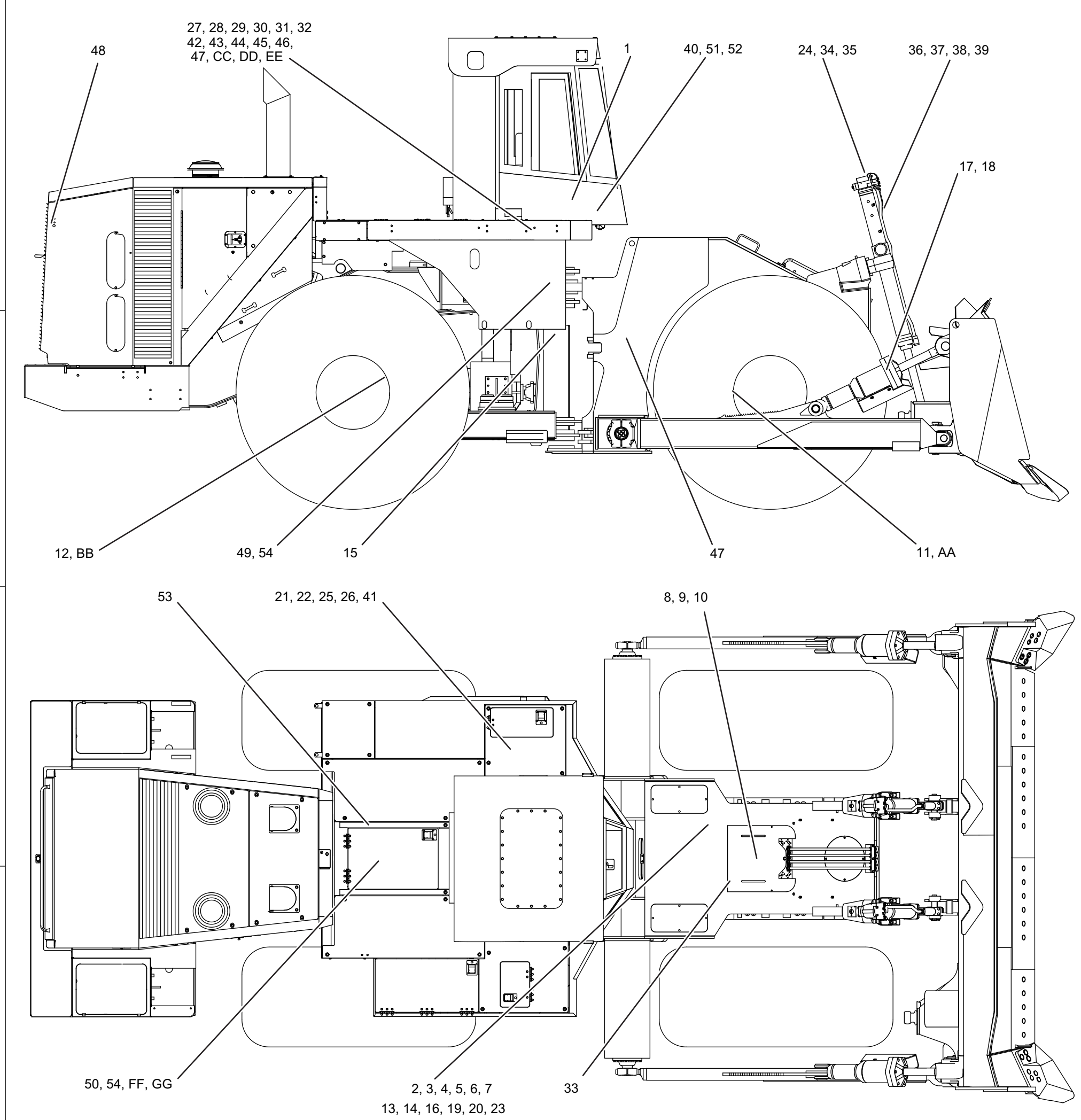
REN6278

# 844 Wheel Tractor Hydraulic Schematic Implement and Braking System



F05046

194-3429



| Chart A<br>844 Hydraulic Component Locations |      |          |                                 |          |
|--|------|----------|---------------------------------|----------|
| Item   | Qty. | Part No. | Name                            | Location |
| 1  | 1    | 9T-7983  | Valve Group - Pilot             | A4       |
| 2  | 1    | 157-0046 | Valve Group - Control           | B5       |
| 3  | 1    | 1U-0368  | Stem (Tilt)                     | B4       |
| 4  | 1    | 6J-2561  | Poppet Valve                    | B5       |
| 5  | 1    | 8J-7394  | Unloading Valve                 | B5       |
| 6  | 1    | 130-5854 | Stem (LR)                       | C5       |
| 7  | 2    | 6E-4343  | Check Valve                     | C6       |
| 8  | 1    | 4T-6919  | Valve Group - Dual Tilt         | B8       |
| 9  | 1    | 6T-6208  | Valve Group - Solenoid          | B8       |
| 10   | 1    | 4T-6922  | Stem                            | B8       |
| 11   | 1    | 6U-2856  | Service Brakes - Front          | A1       |
| 12   | 1    | 6U-2856  | Service Brakes - Rear           | B1       |
| 13   | 1    | 6U-2856  | Check Valve                     | B4       |
| 14   | 1    | 3G-1201  | Unloading Valve                 | B4       |
| 15   | 1    | 101-7034 | Parking Brake Actuator          | C2       |
| 16   | 1    | 6J-2561  | Poppet Valve                    | C4       |
| 17   | 1    | 6E-4835  | Cylinder Group - Tilt (Left)    | B8       |
| 18   | 1    | 6E-3636  | Cylinder Group - Tilt (Right)   | C8       |
| 19   | 1    | 9T-3746  | Check Valve                     | C5       |
| 20   | 1    | 8J-7430  | Shuttle Valve                   | C4       |
| 21   | 1    | 100-8941 | Valve - Parking Brake           | D2       |
| 22   | 1    | N/A      | Valve (On/Off Manual)           | D2       |
| 23   | 1    | 4T-4073  | Ball Resolver                   | D2       |
| 24   | 2    | 4T-4034  | Valve Group - Quick Drop        | D5-E5    |
| 25   | 1    | N/A      | Shuttle Valve                   | B3       |
| 26   | 1    | 171-7085 | Parking Brake Switch            | B4       |
| 27   | 1    | 6D-2632  | Accumulator Group (Pilot)       | C2       |
| 28   | 1    | 9T-6551  | Valve Group - Combination       | C3       |
| 29   | 1    | 156-9956 | Check Valve                     | C6       |
| 30   | 1    | 6R-0442  | Shuttle Valve                   | C6       |
| 31   | 1    | 6E-4293  | Relief Valve                    | C6       |
| 32   | 1    | 117-7761 | Unloading Valve                 | C6       |
| 33   | 1    | 156-5374 | Manifold - Drain                | C7-C8    |
| 34   | 2    | 4T-4207  | Orifice (Plug)                  | C2       |
| 35   | 2    | 3G-5209  | Orifice                         | C2       |
| 36   | 2    | 4T-4204  | End of Stroke Bypass Valve (LR) | C1       |
| 37   | 2    | 122-8050 | End of Stroke Bypass Valve (TR) | C2       |
| 38   | 1    | 153-1776 | Cylinder Group - LR (Left)      | C2       |
| 39   | 1    | 153-1777 | Cylinder Group - LR (Right)     | C2       |
| 40   | 1    | 112-2273 | Foot Brake Control              | C2       |

| Chart A<br>844 Hydraulic Component Locations |      |          |                                     |          |
|--|------|----------|-------------------------------------|----------|
| Item   | Qty. | Part No. | Description                         | Location |
| 41   | 1    | 174-4312 | Pressure Switch (Parking Brake Oil) | E3-D3    |
| 42   | 2    | 100-6909 | Accumulator Group (Service Brakes)  | E3       |
| 43   | 1    | 158-9956 | Check Valve                         | E4       |
| 44   | 1    | 108-1176 | Plug - Orifice                      | E4       |
| 45   | 1    | 158-9956 | Check Valve                         | E4       |
| 46   | 1    | 108-1176 | Plug - Orifice                      | E4       |
| 47   | 1    | 116-6399 | Valve Group - Relief                | F4       |
| 48   | 1    | 148-8978 | Cooler                              | F5       |
| 49   | 1    | 6E-3528  | Valve Group - Breaker Relief        | F6       |
| 50   | 1    | 157-0996 | Pump Group - Vane Basic             | F6       |
| 51   | 4    | 112-2273 | Foot Brake Control                  | E2       |
| 52   | 1    | 129-7673 | Brake Control Valve (Service)       | E2       |
| 53   | 1    | 6E-4657  | Pump Group (Pilot/Braking)          | F4       |
| 54   | 1    | 9T-9554  | Hydraulic Tank and Filter Group     | F5-F6    |

| Chart B<br>Pressure Tap Locations |          |                                |          |  |
|-----------------------------------|----------|--------------------------------|----------|--|
| Tap                               | Part No. | Description                    | Location |  |
| AA                                | 6V-3965  | Service Brake Pressure (Front) | A1       |  |
| BB                                | 6V-3965  | Service Brake Pressure (Rear)  | B1       |  |
| CC                                | 6V-3965  | Pilot System Pressure          | D3       |  |
| DD                                | 6V-3965  | Fluid Sampling Port            | D3       |  |
| EE                                | 6V-3965  | Parking Brake Pressure         | E3       |  |
| FF                                | 6V-3965  | Implement Pump Pressure        | E6       |  |
| GG                                | 6V-3965  | Steering System Pressure       | E6       |  |