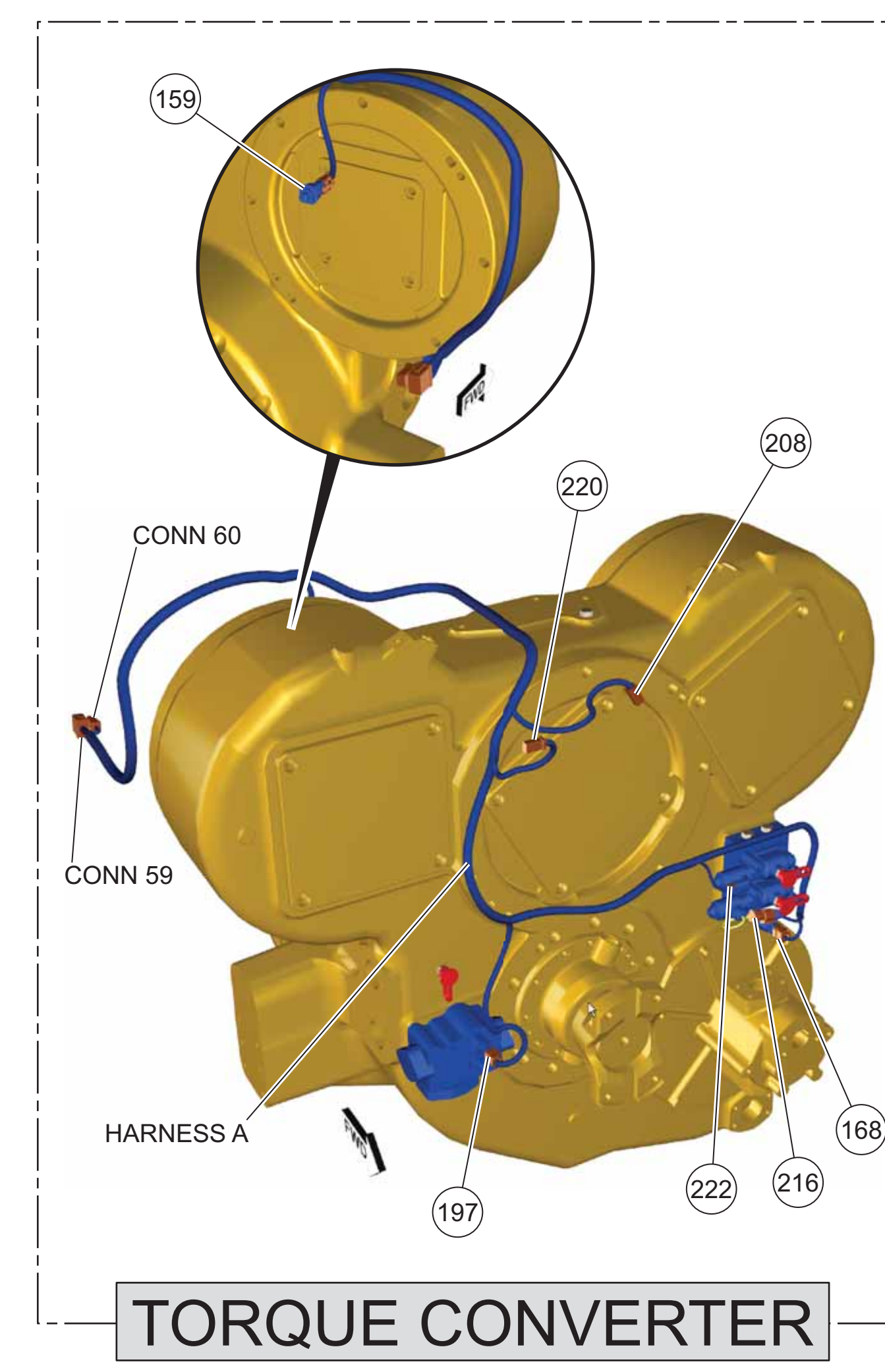
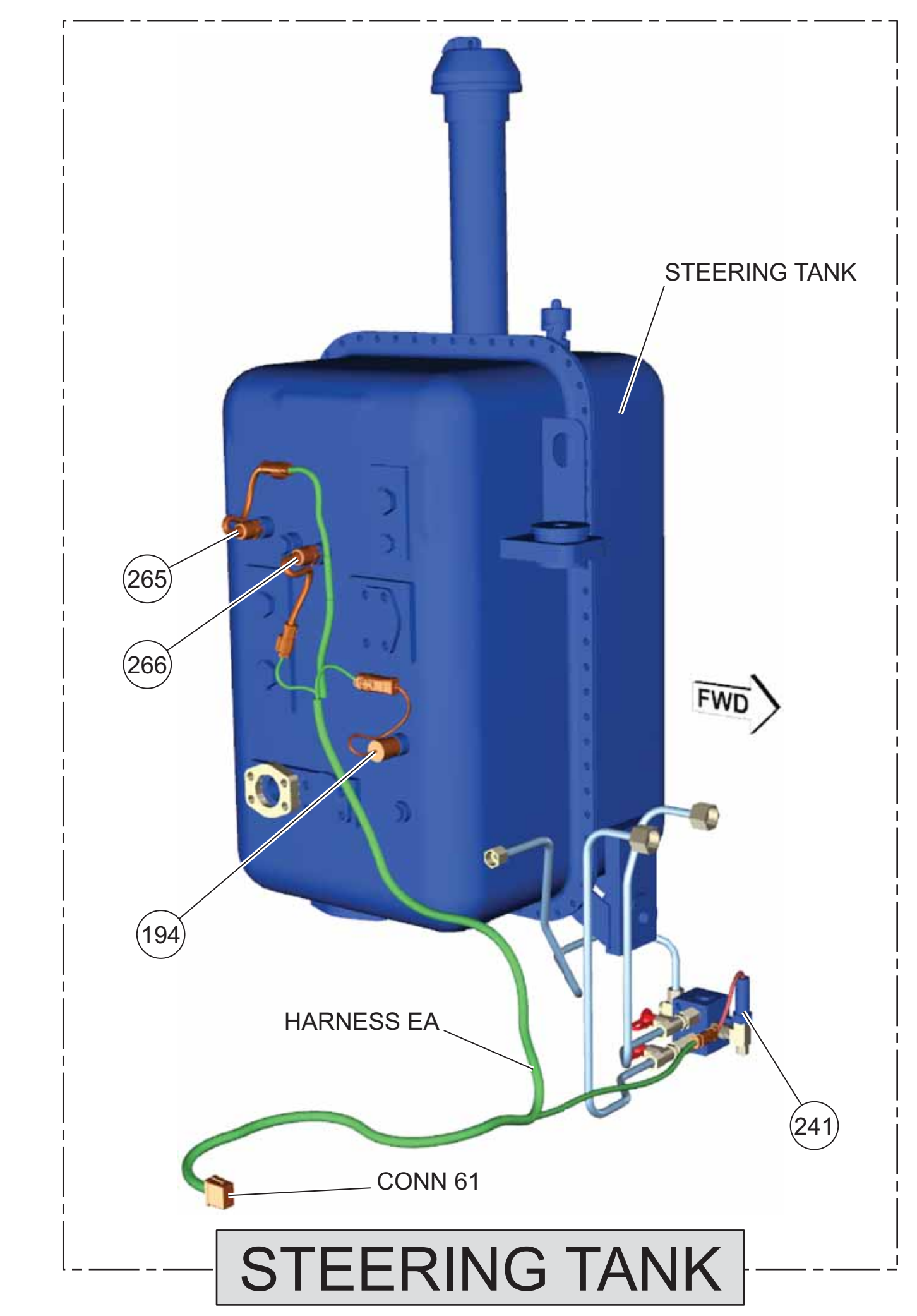


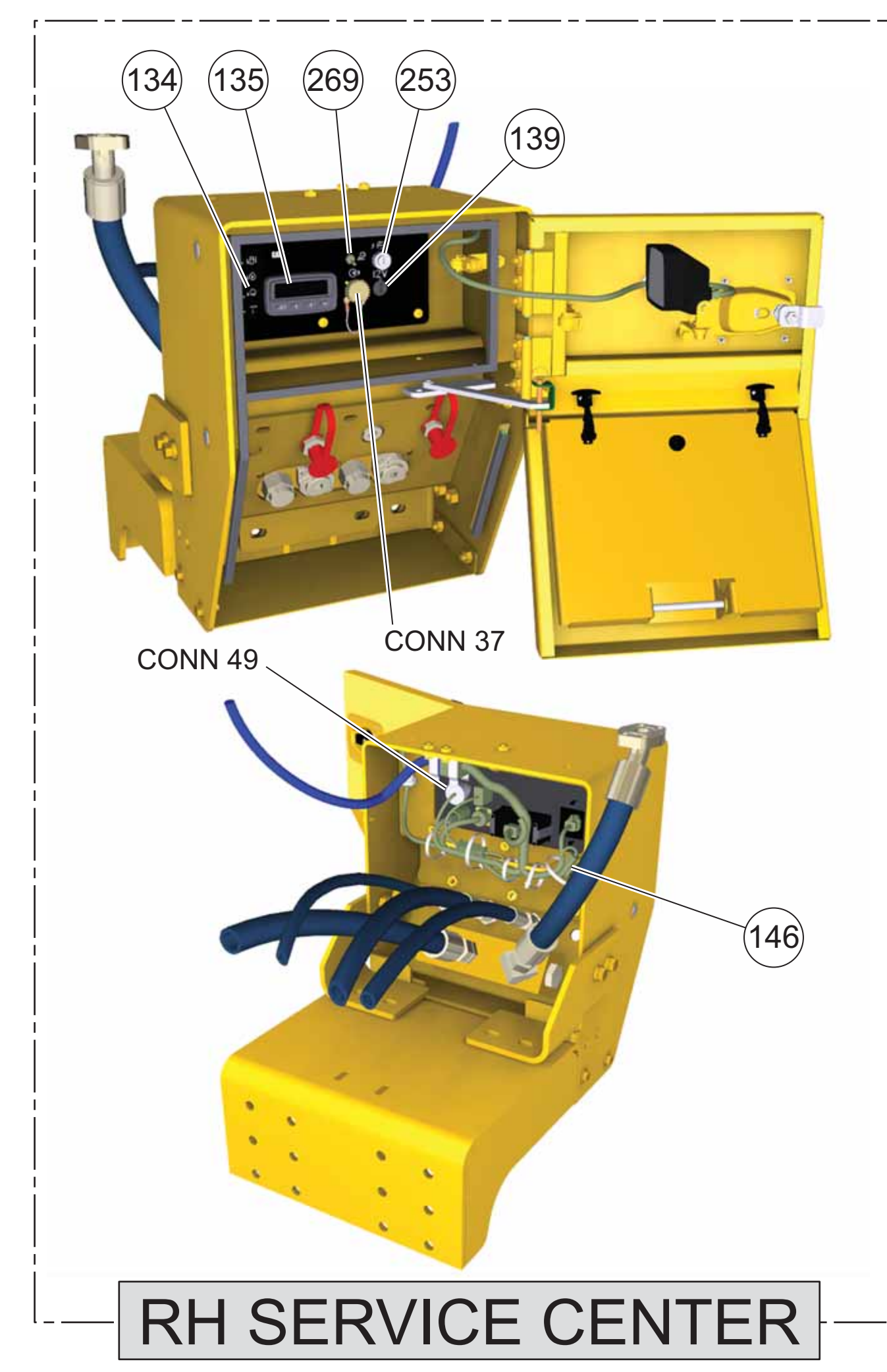
TRANSMISSION



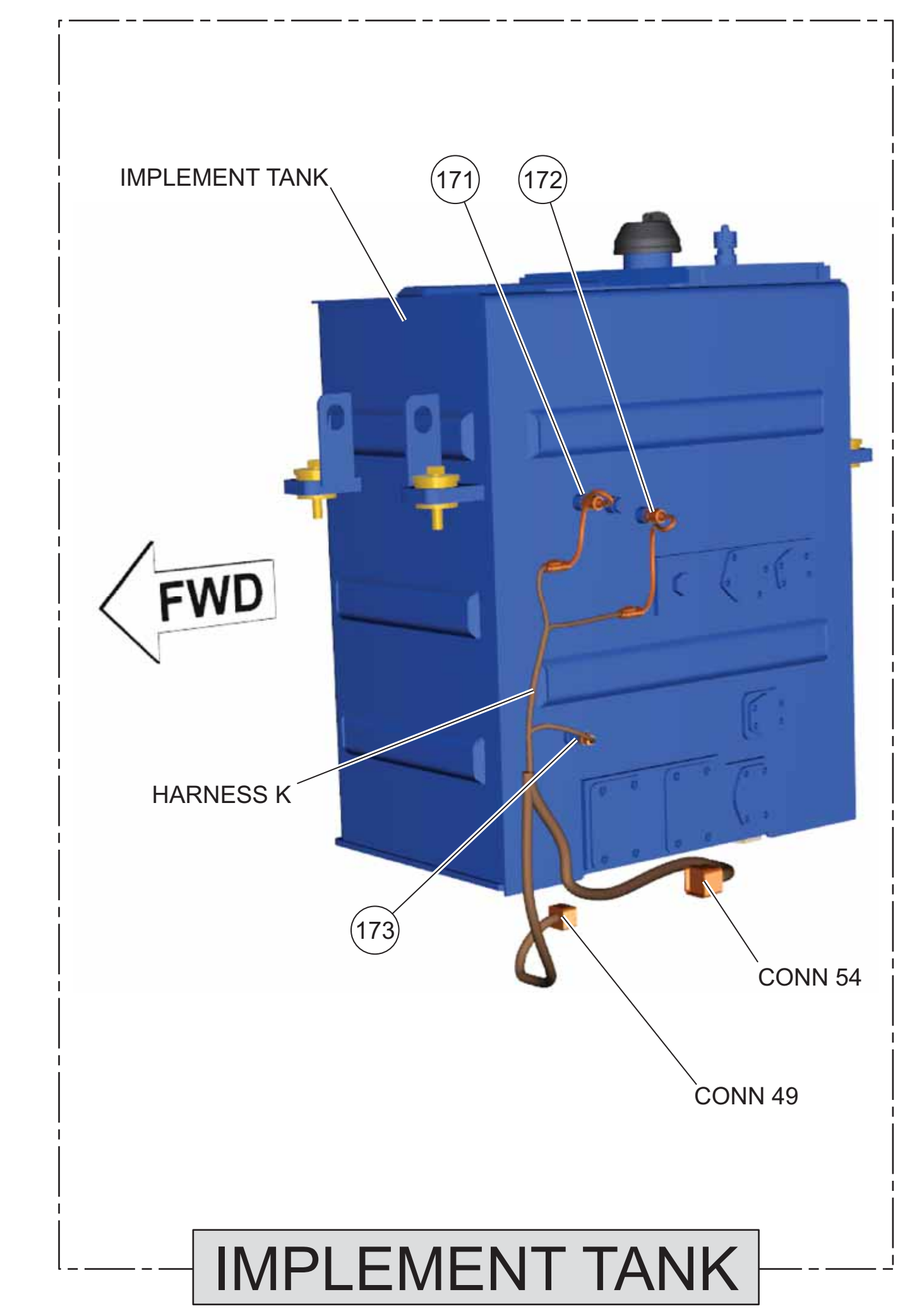
TORQUE CONVERTER



STEERING TANK



RH SERVICE CENTER



IMPLEMENT TANK

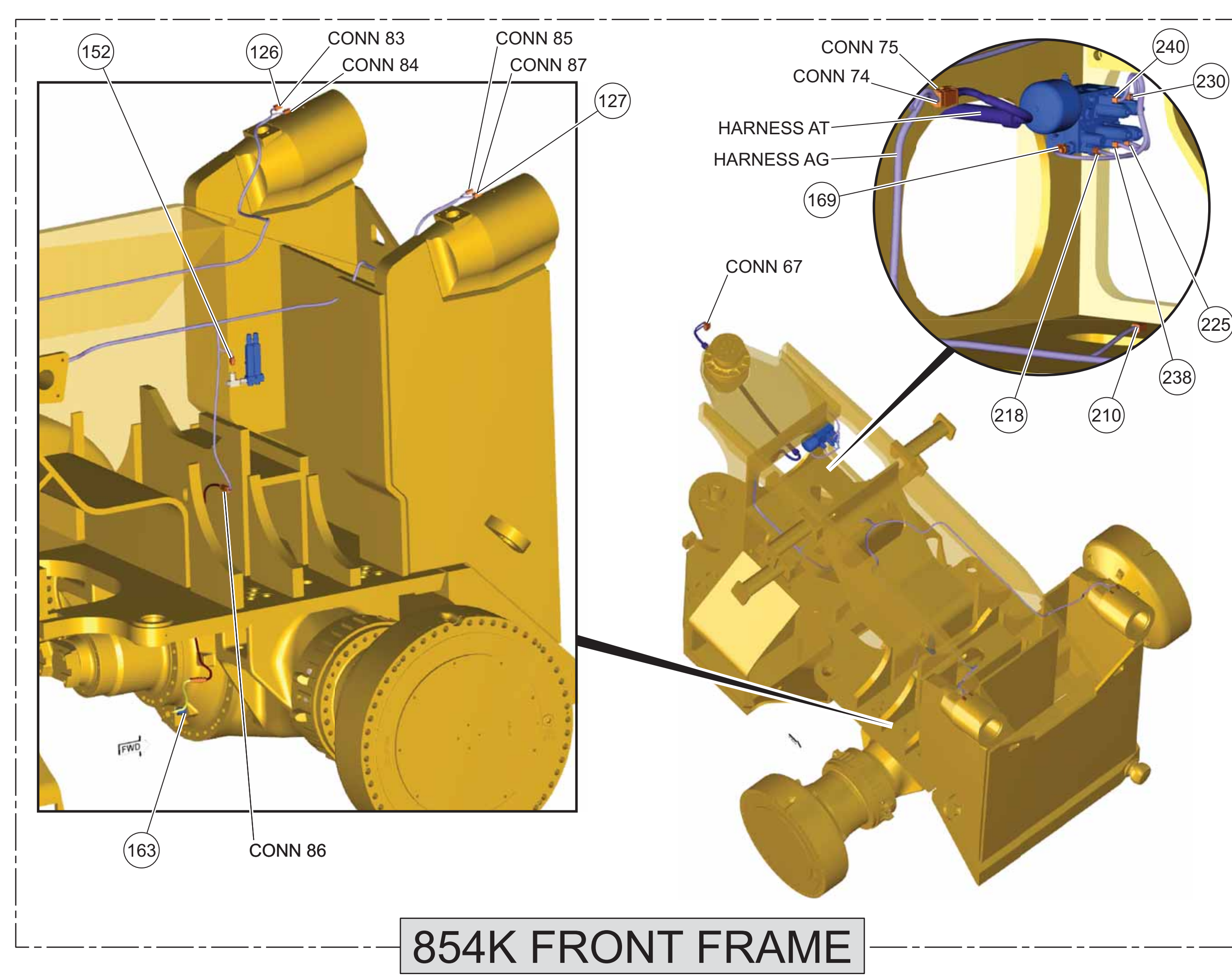
Related Electrical Service Manuals, Off-Machine Switch Specification, Resistor, Sender and Solenoid Specifications tables.

Schematic 854K Wheel Dozer and 992K Wheel Loader Electrical System

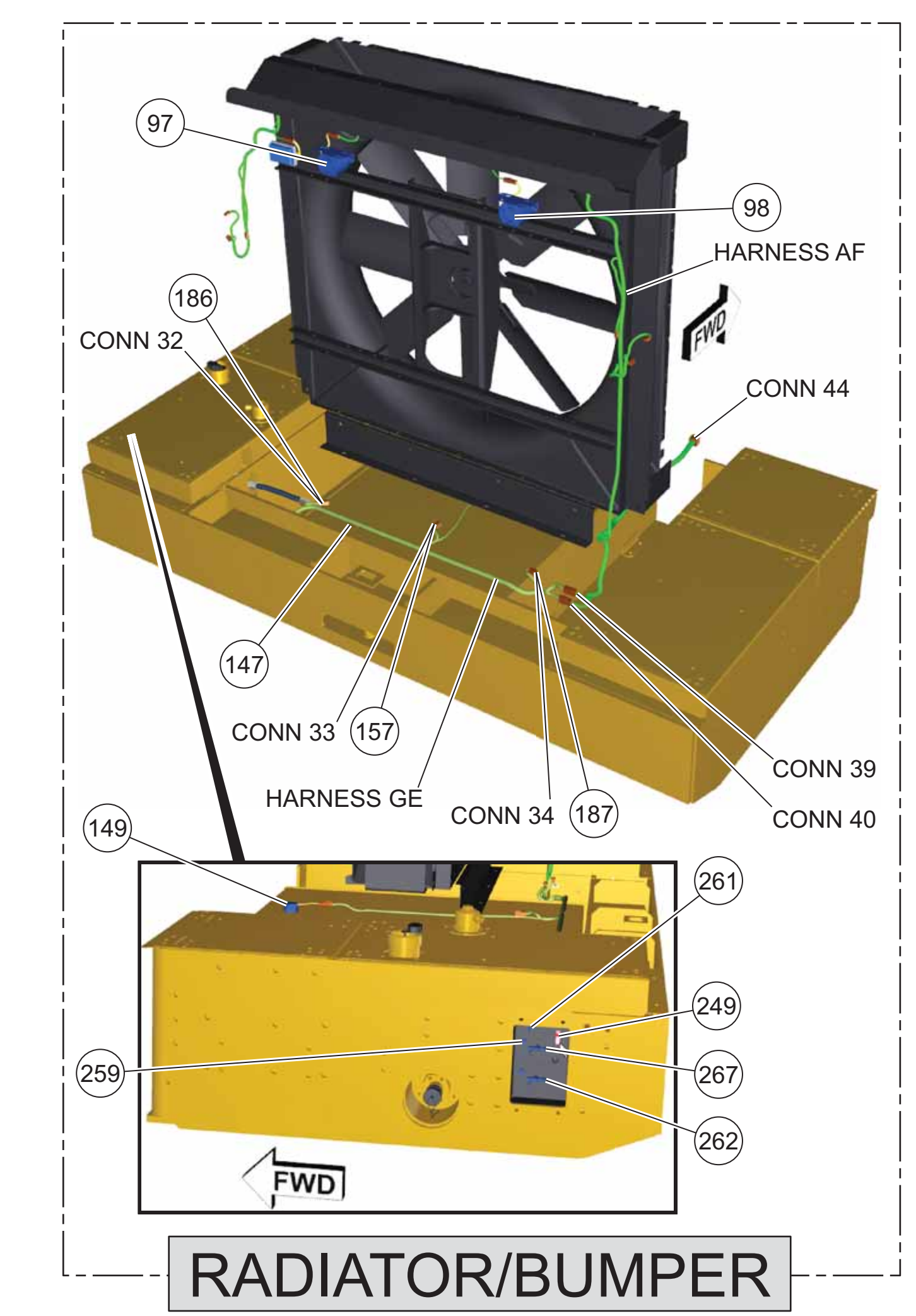
854K: H9K1-UP 992K: ZMX1-UP

Volume 2 of 3: Chassis and Engine

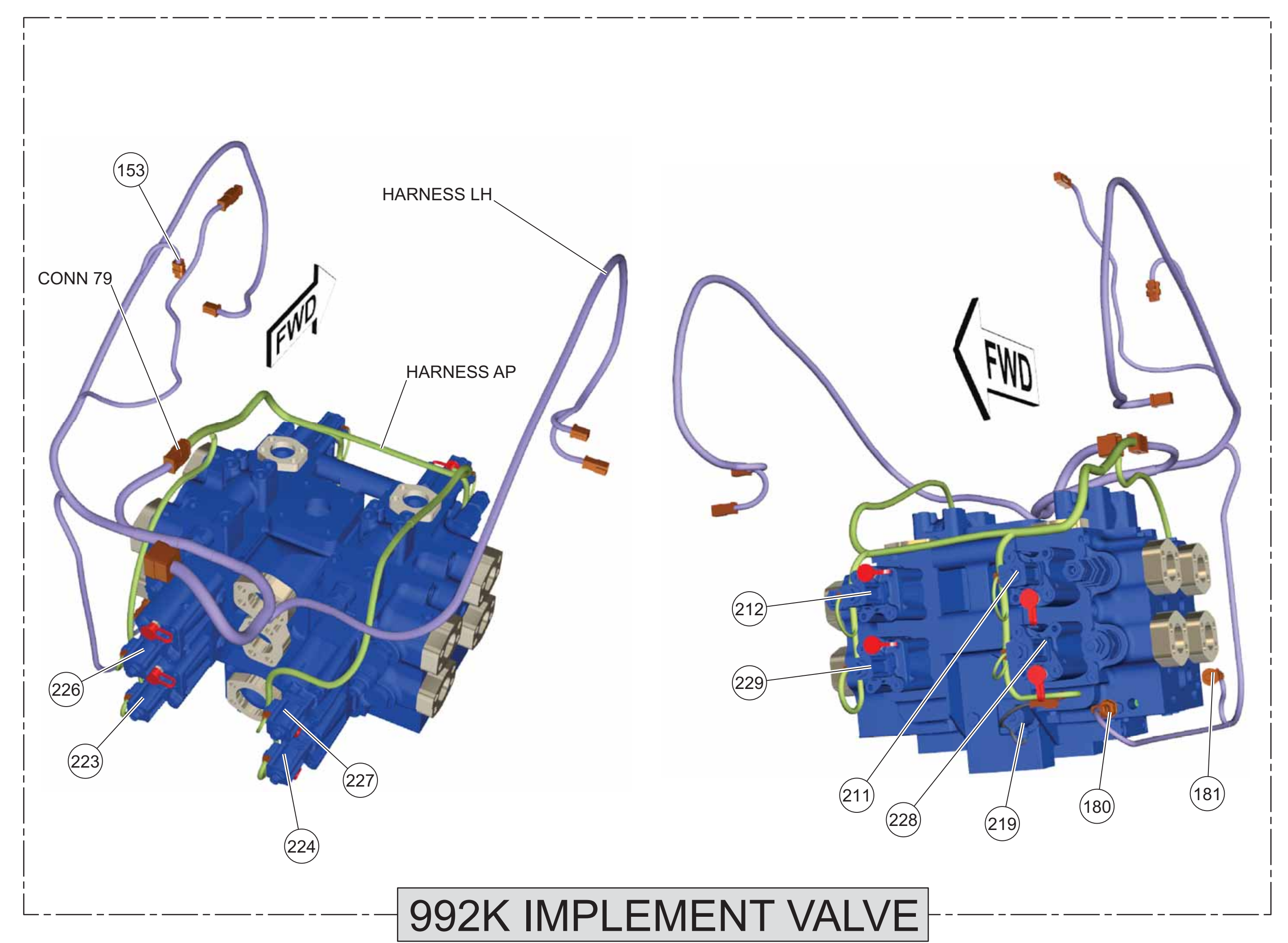
© 2011 Caterpillar. All Rights Reserved. Printed in U.S.A.



854K FRONT FRAME



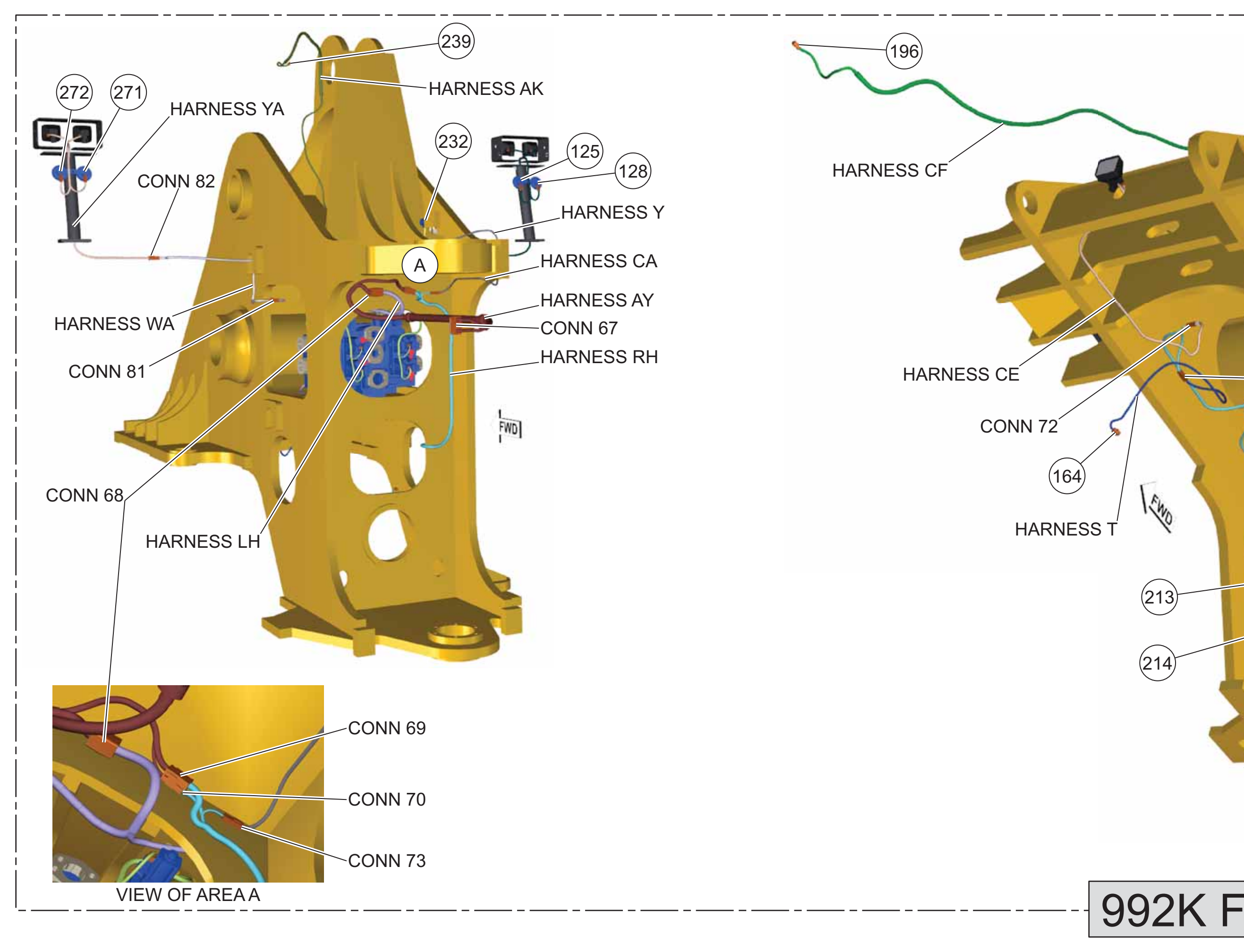
RADIATOR/BUMPER



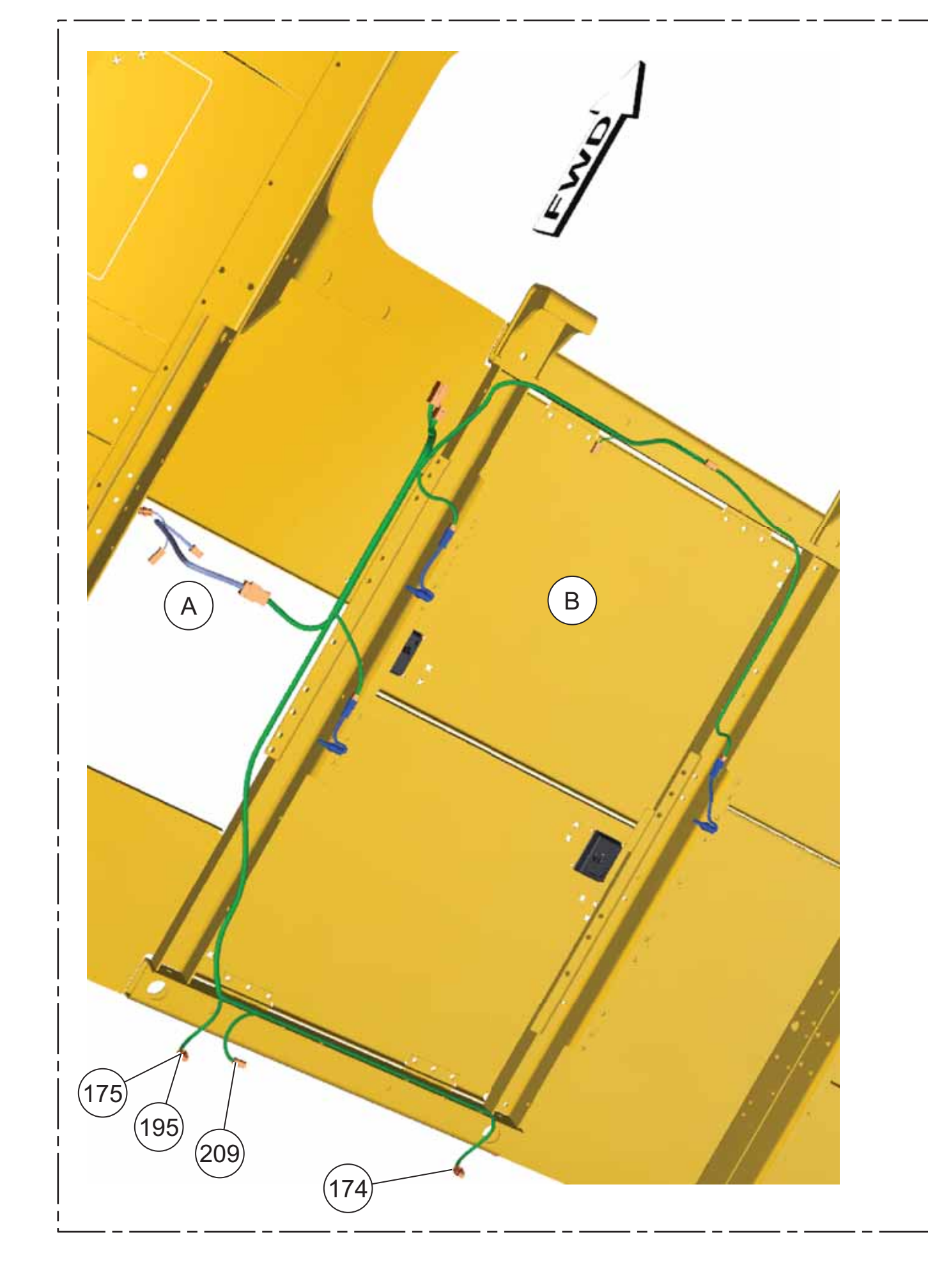
992K IMPLEMENT VALVE

Chassis Connector Location table with columns for Connector Number, Schematic Location, Component, and Machine Location.

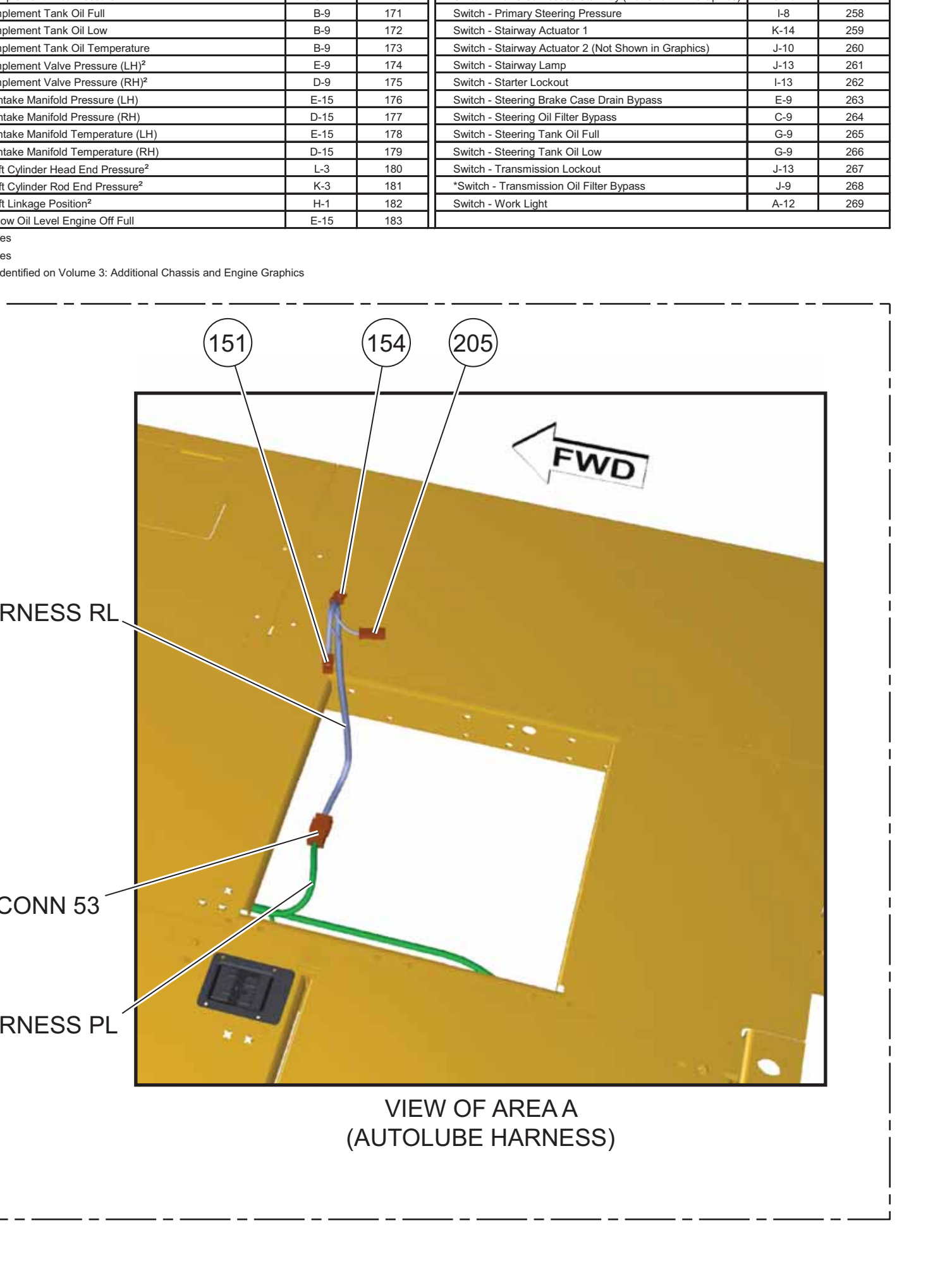
Chassis Component Location table with columns for Component, Schematic Location, Machine Location, and Machine Location.



992K FRONT FRAME



PLATFORM AND AUTOLUBE



AUTOLUBE HARNESS

Schematic

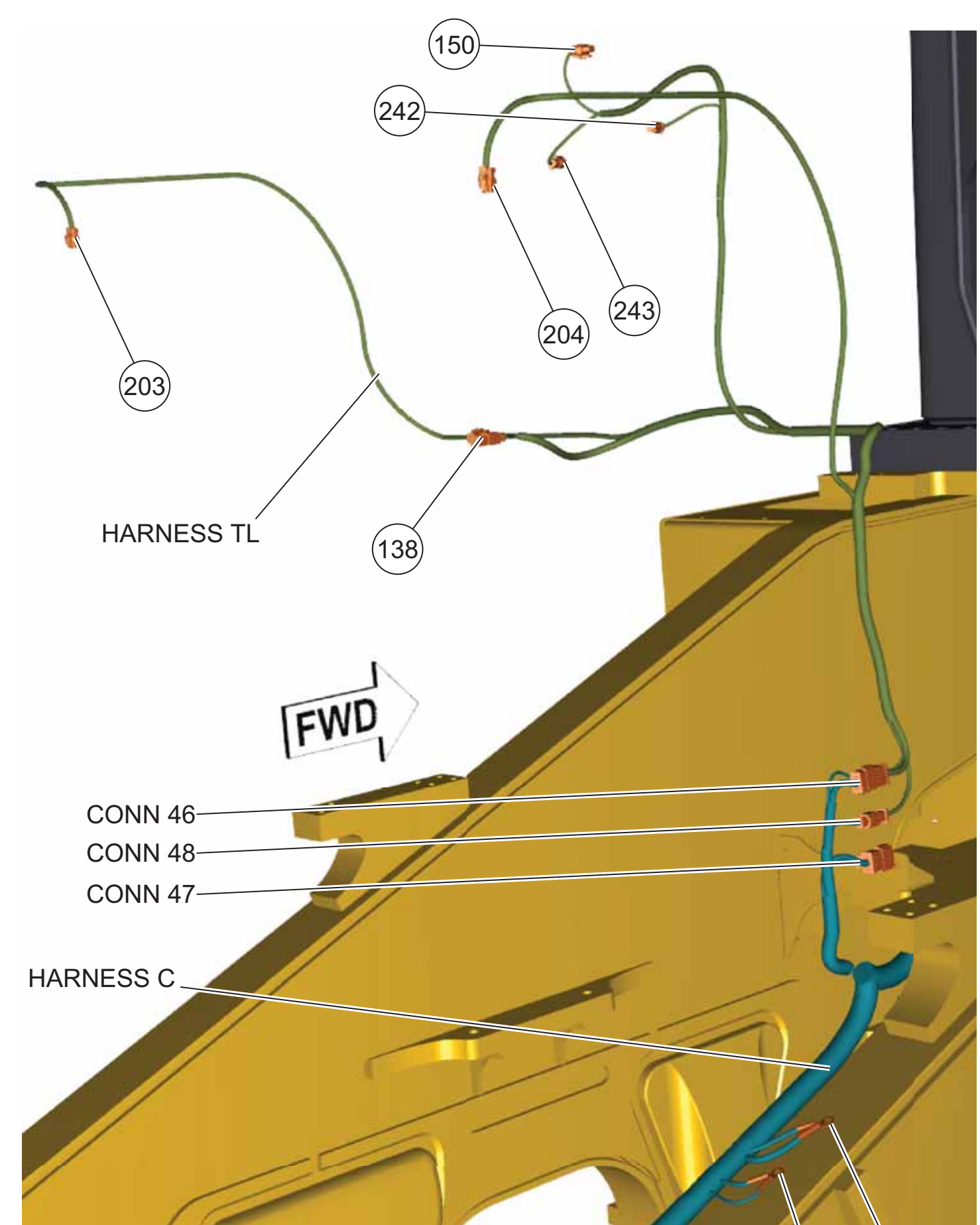
854K Wheel Dozer and 992K Wheel Loader Electrical System

854K: H9K1-UP 992K: ZMX1-UP

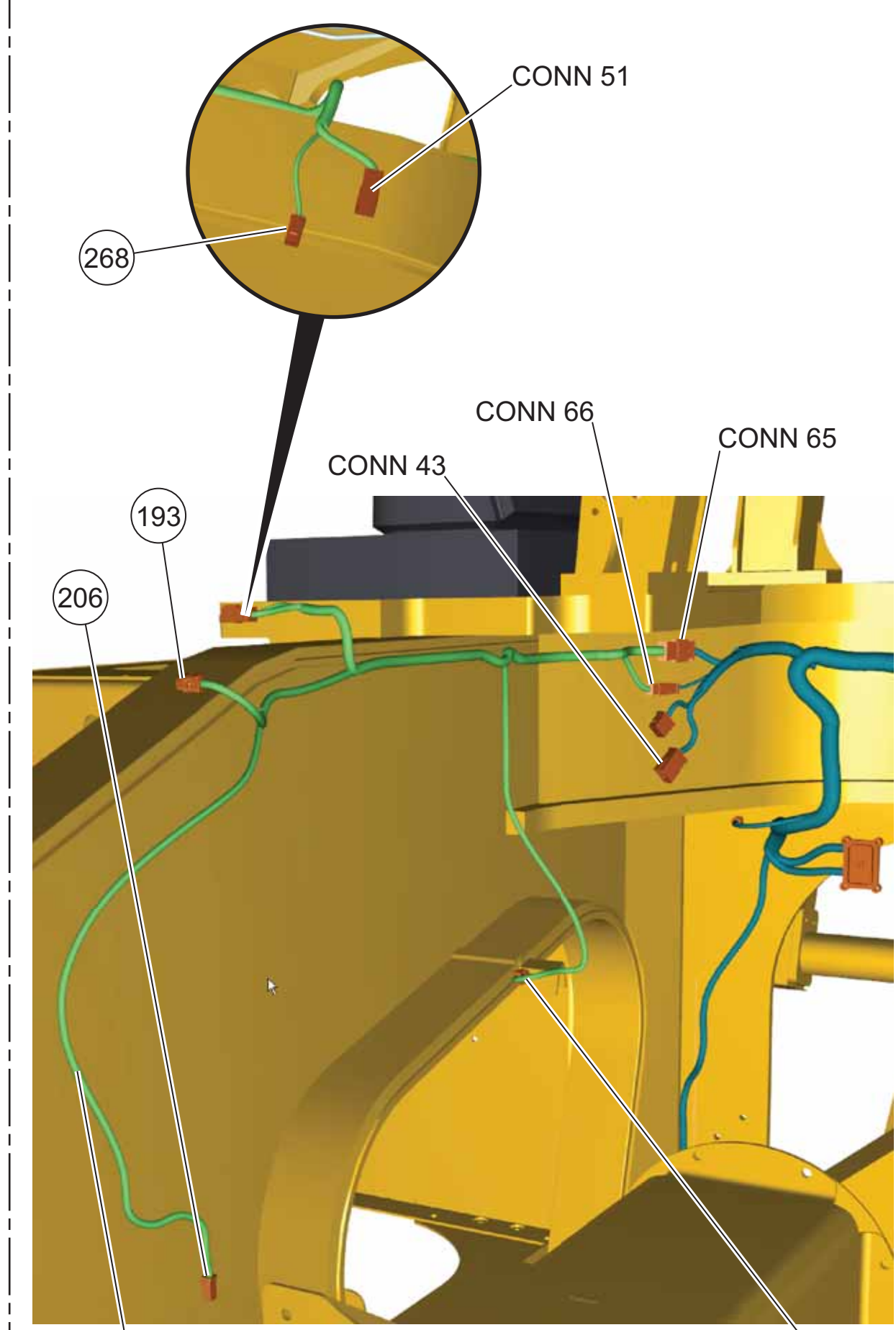
Volume 3 of 3: Additional Chassis and Engine Graphics

© 2011 Caterpillar. All Rights Reserved

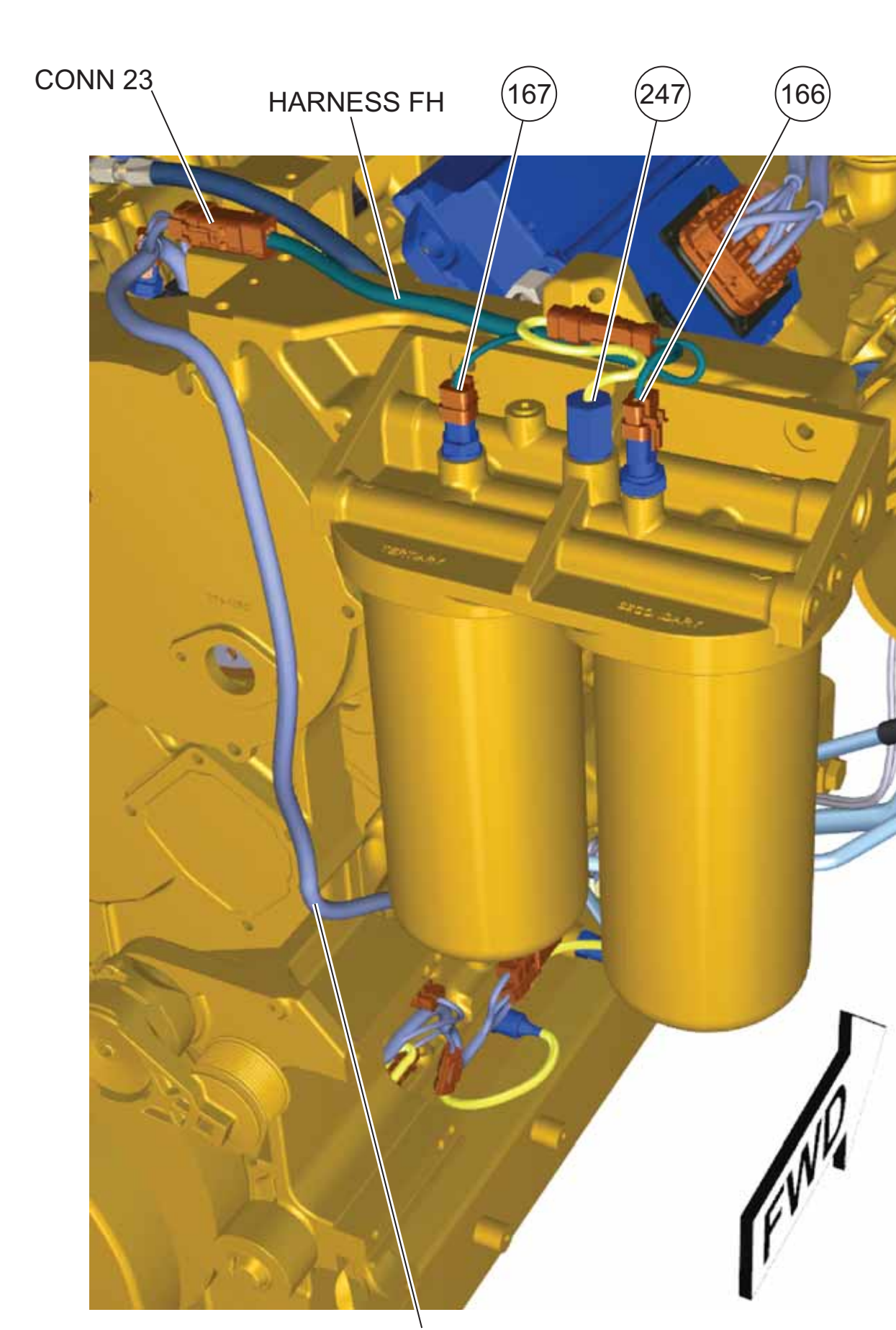
Printed in U.S.A.



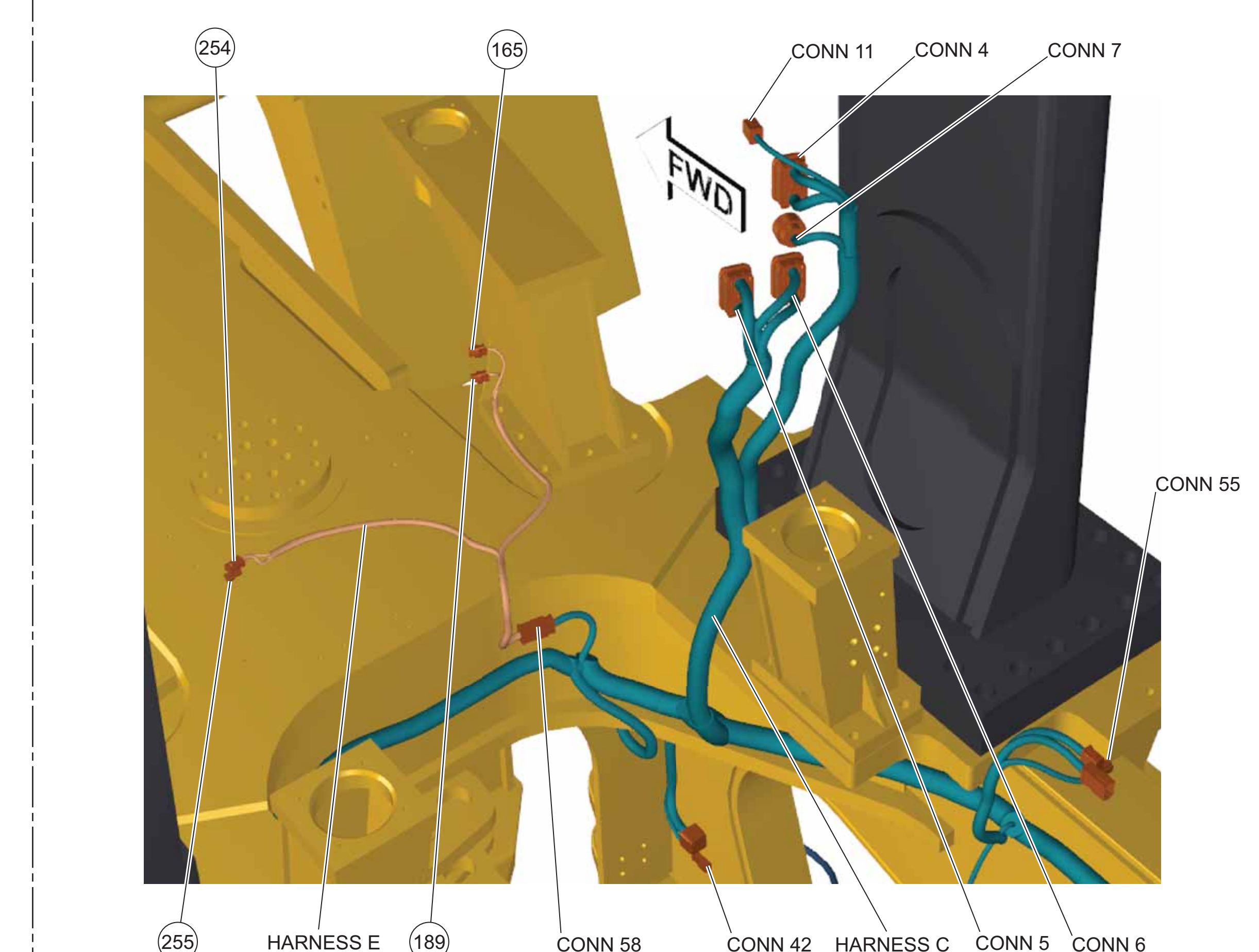
FIREWALL



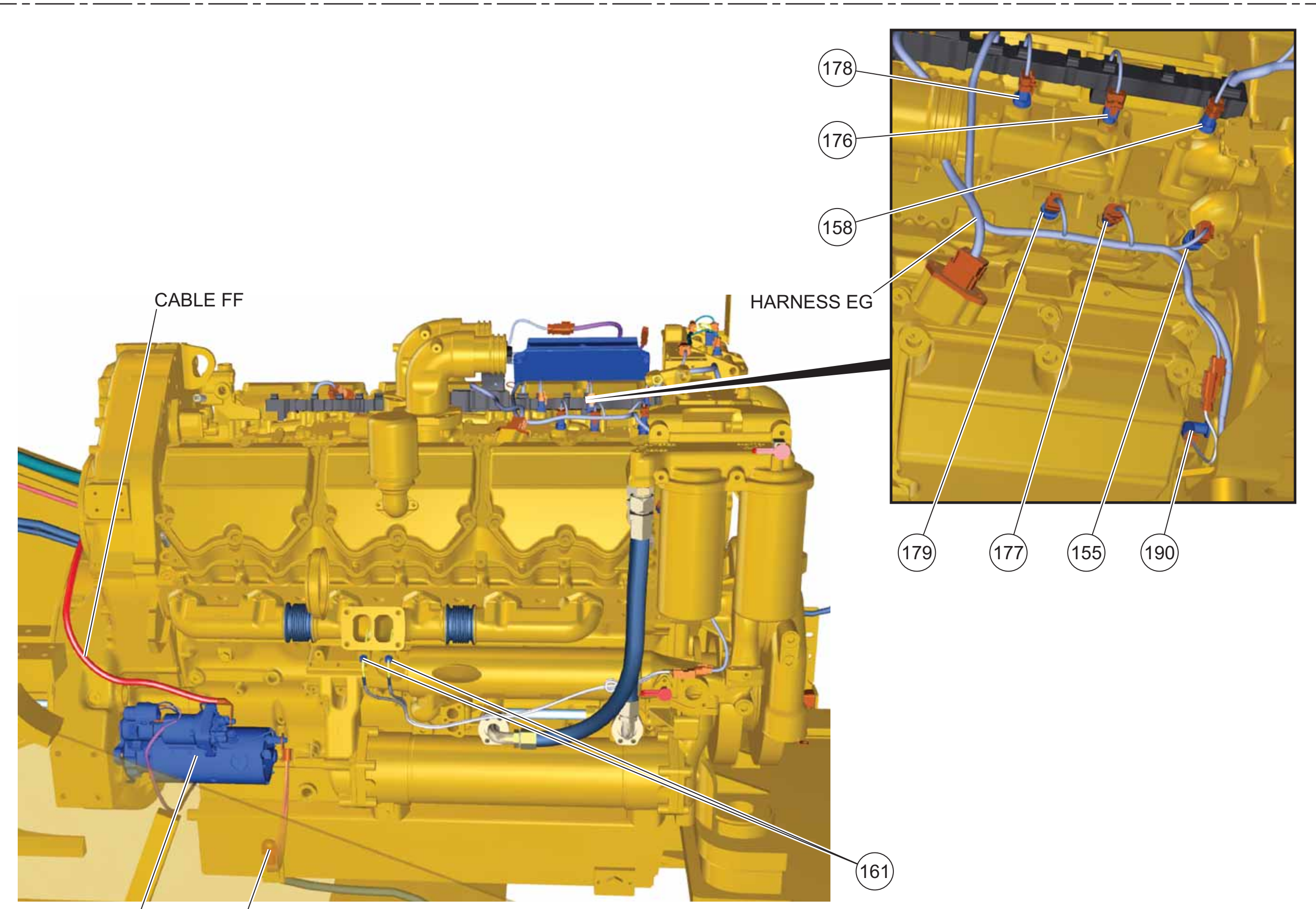
LH MACHINE



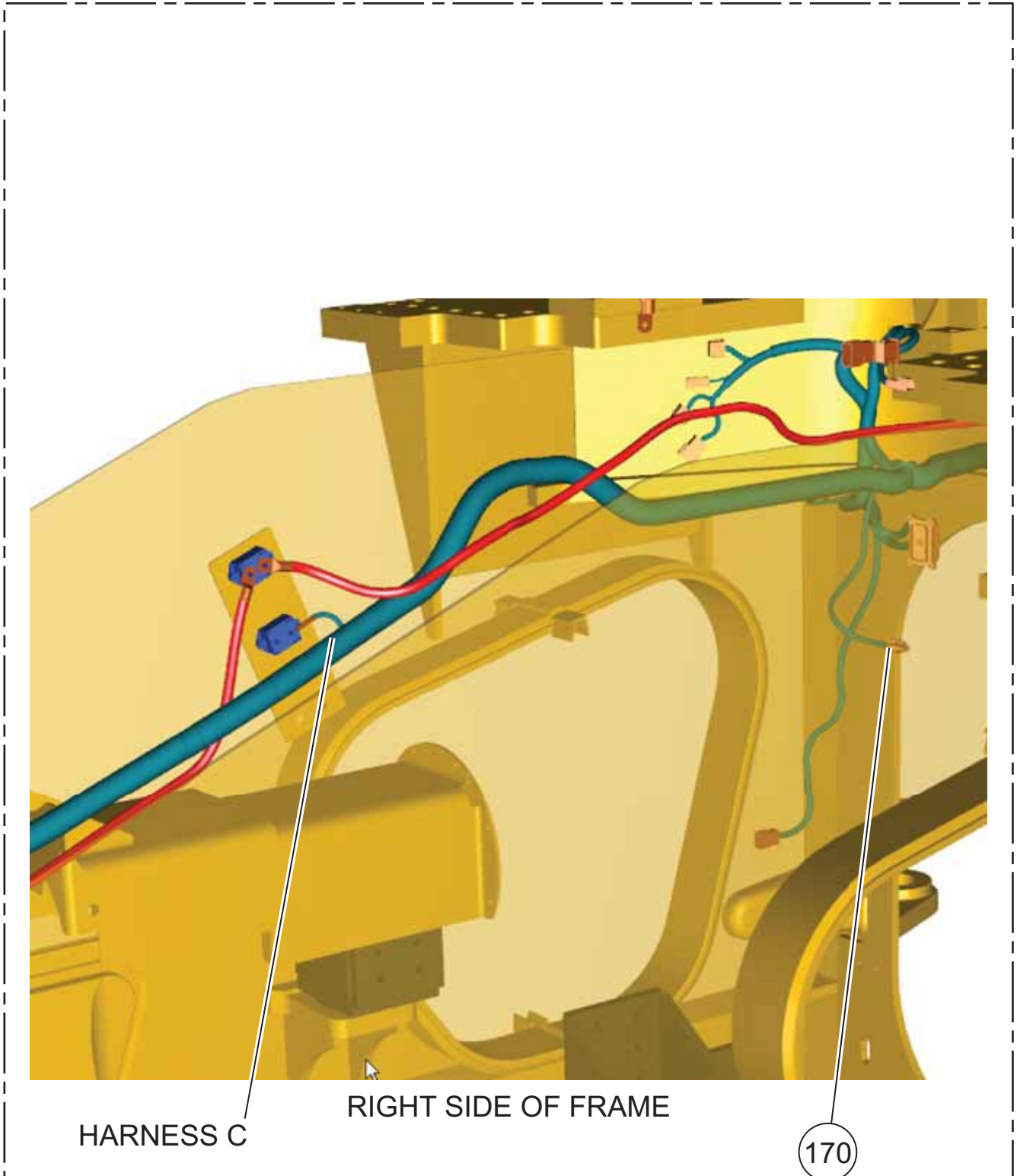
SECONDARY FUEL



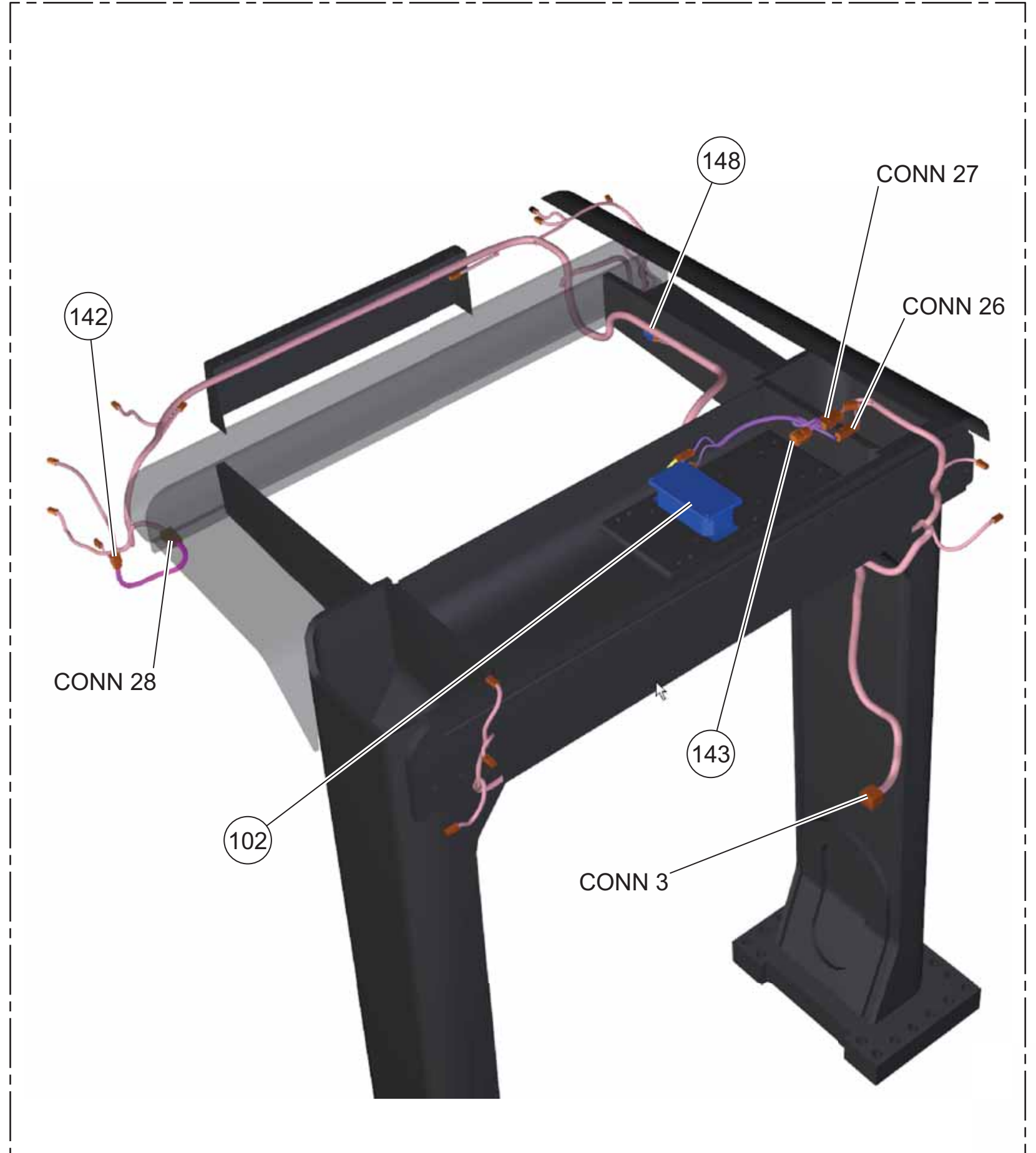
BRAKE



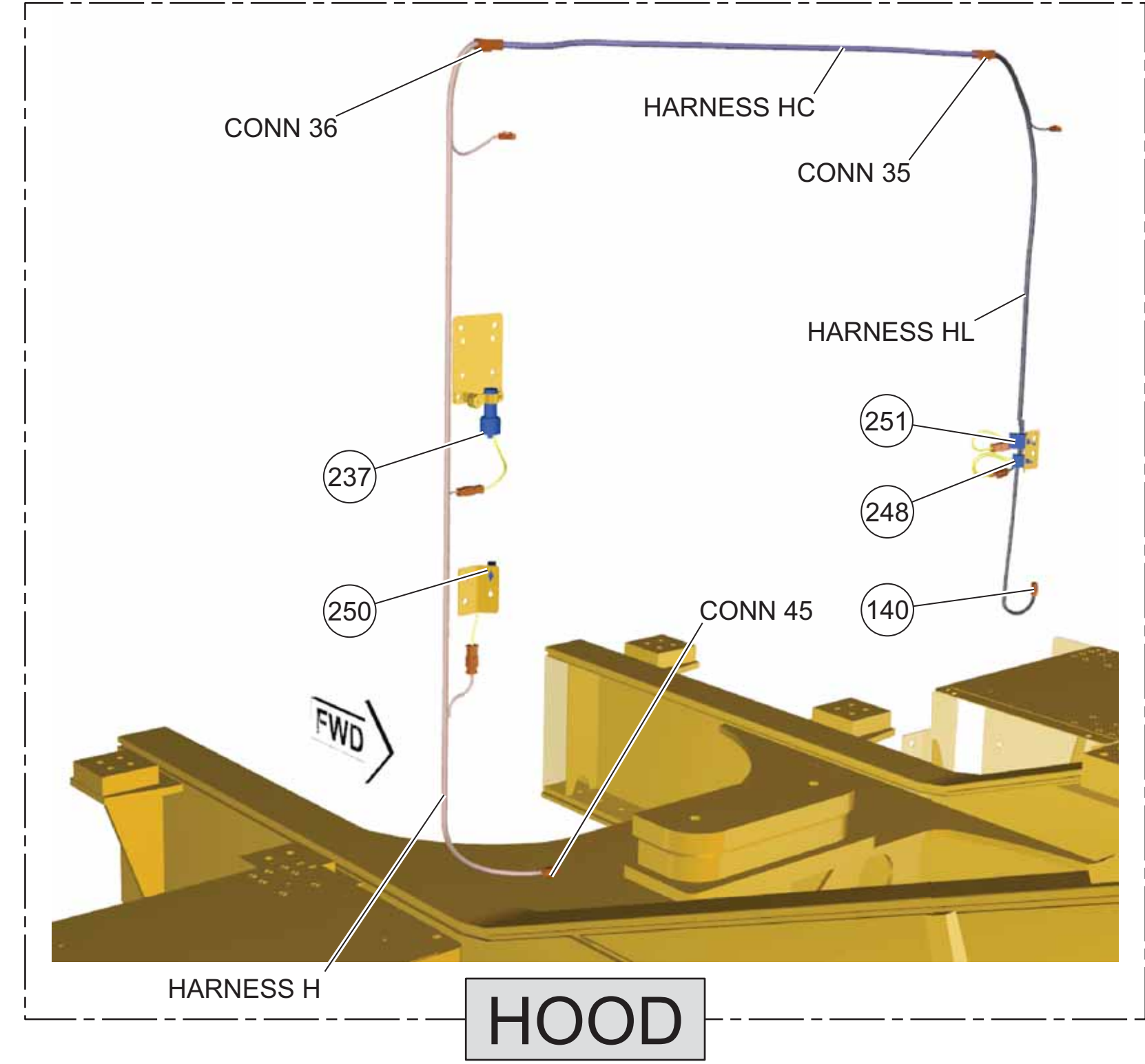
LEFT SIDE OF ENGINE



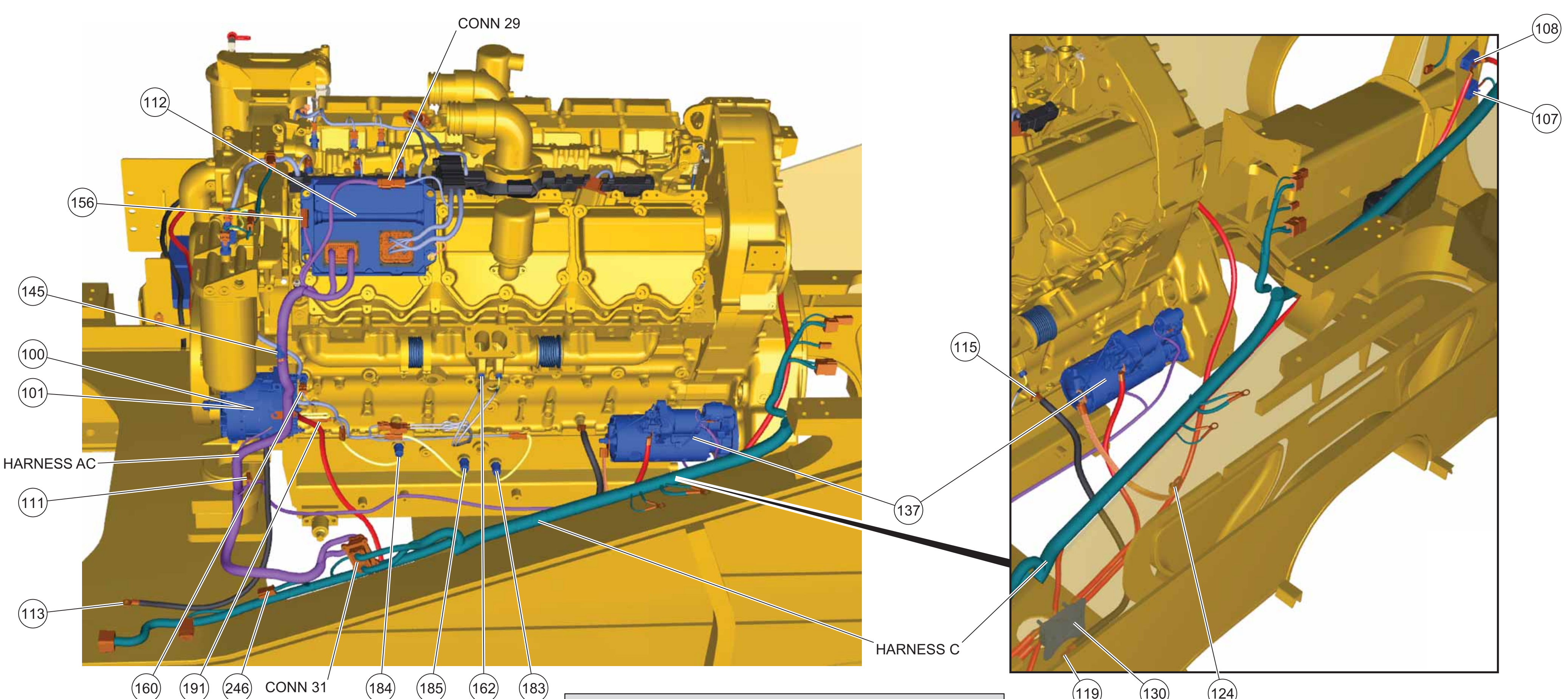
IMPLEMENT PILOT PRESSURE SENSOR



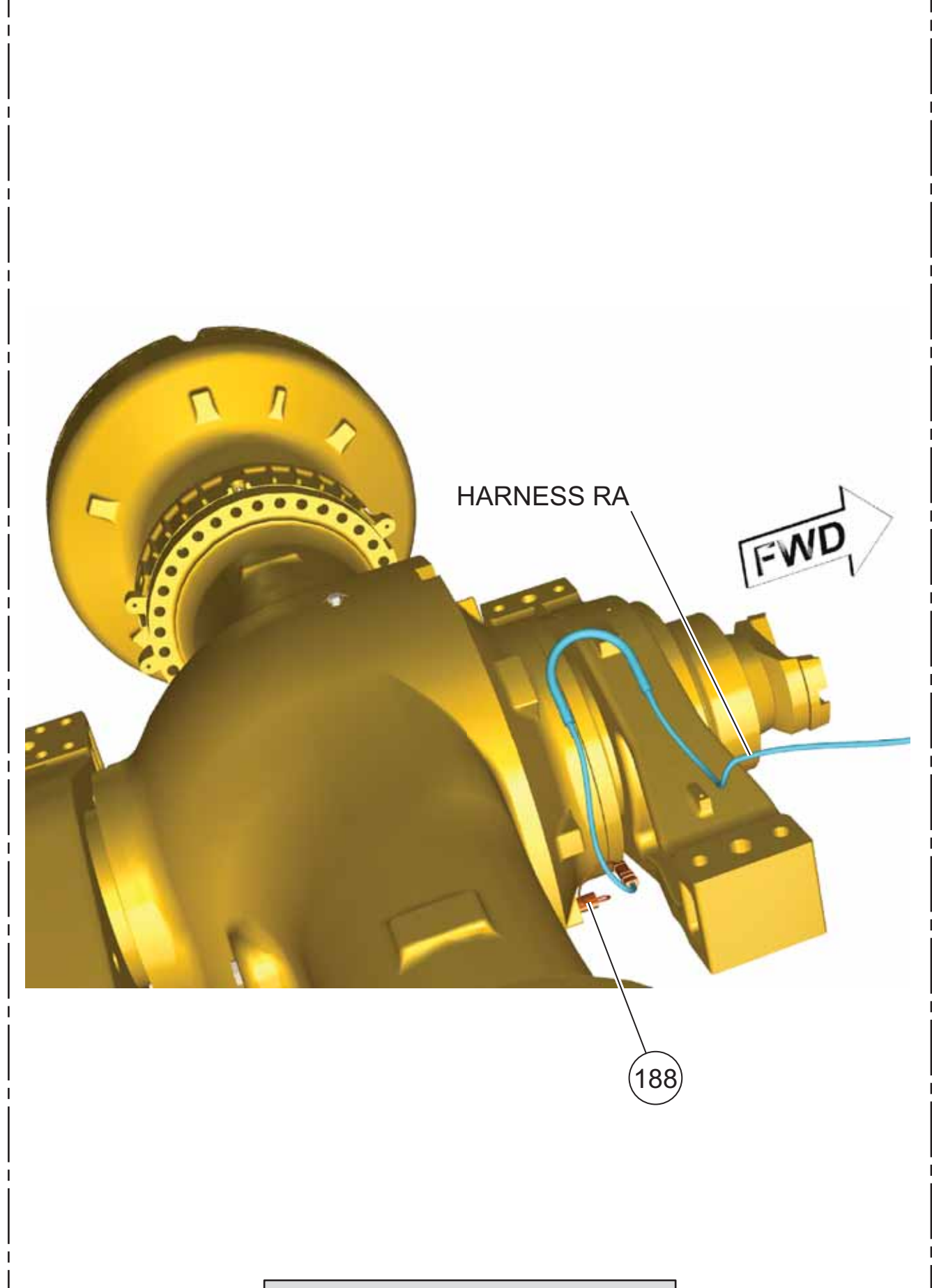
ROPS



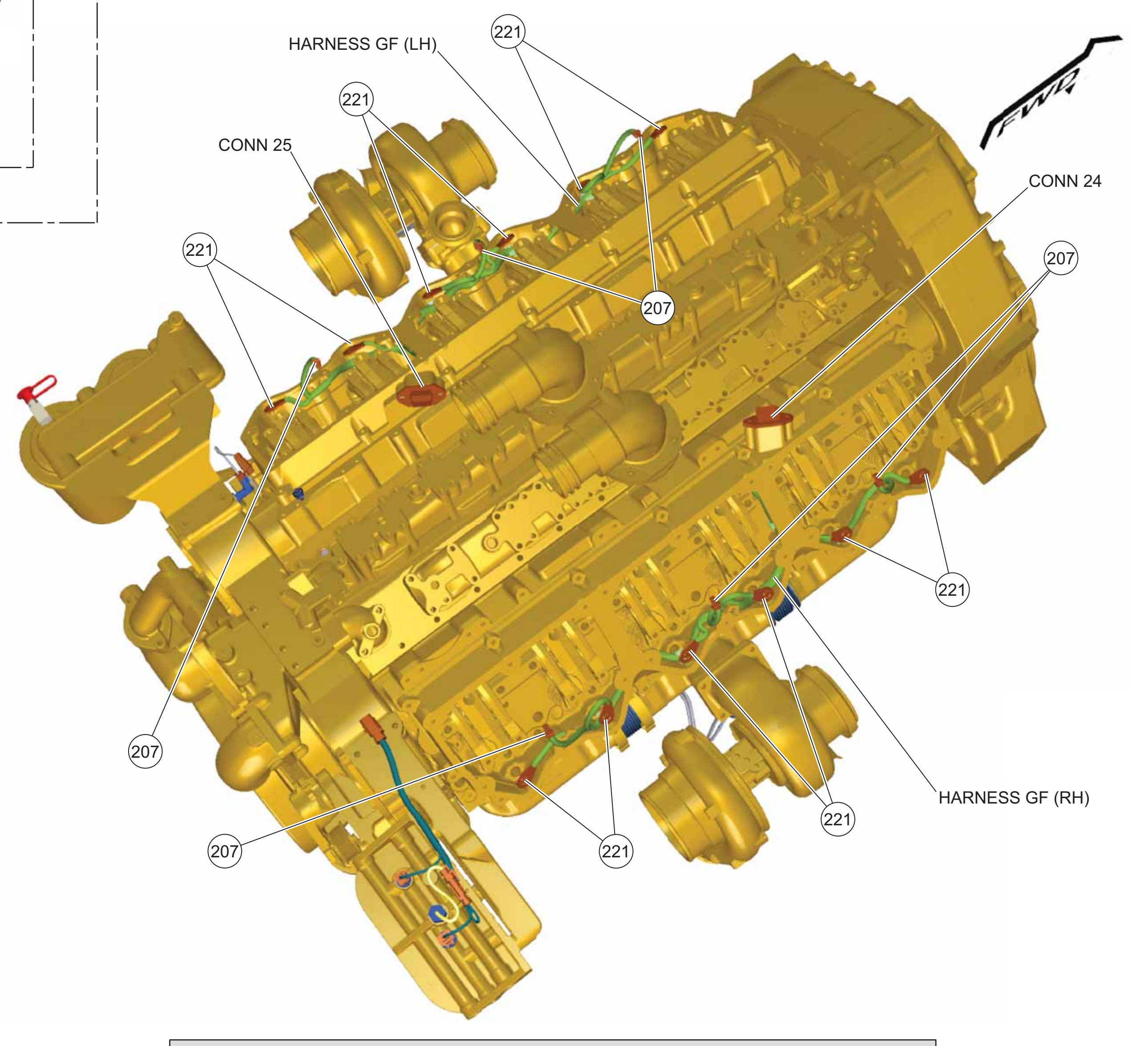
HOOD



RIGHT SIDE OF ENGINE



REAR AXLE



INJECTOR AND BRAKE SOLENOIDS