

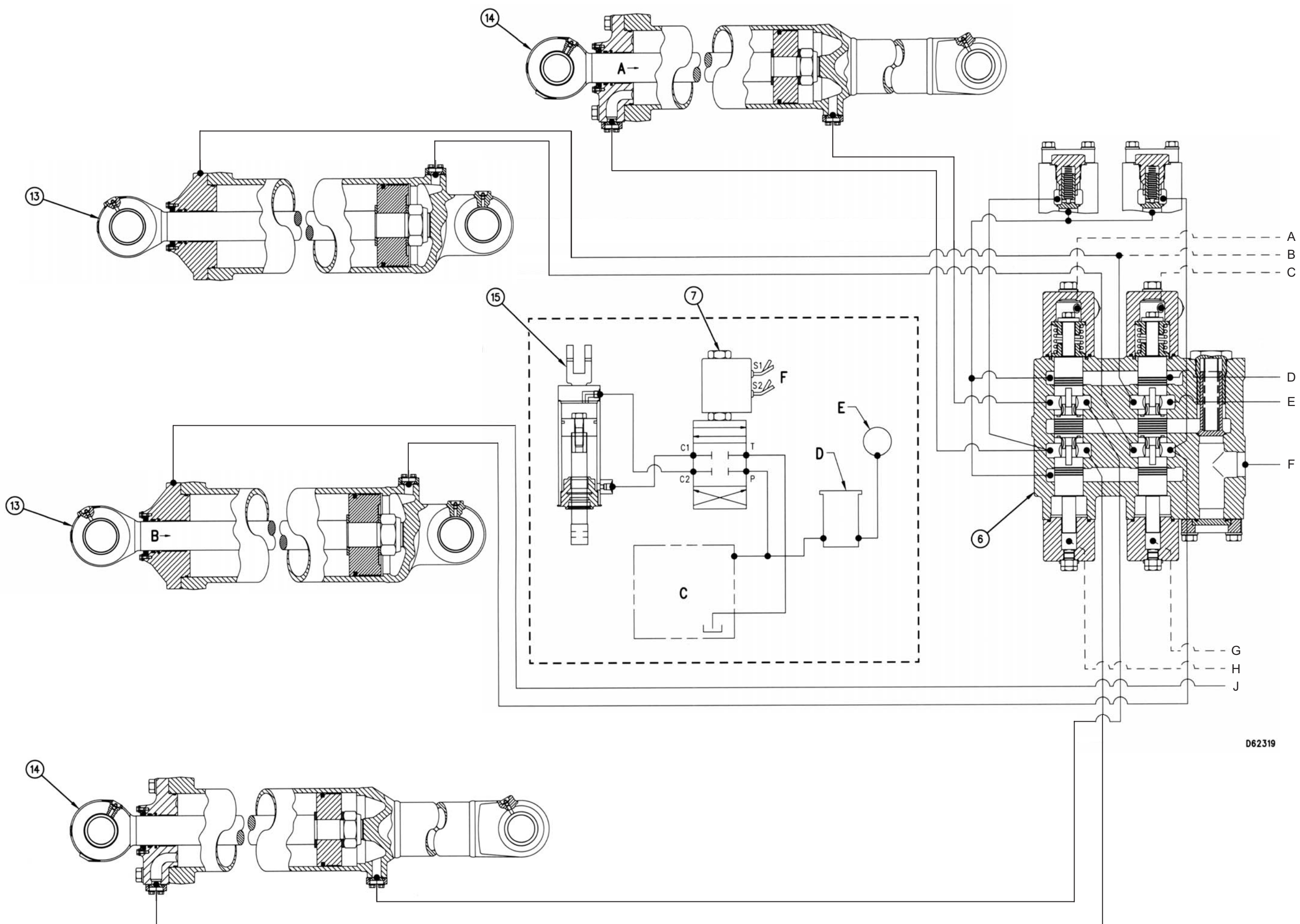


SENR8425  
April 1996

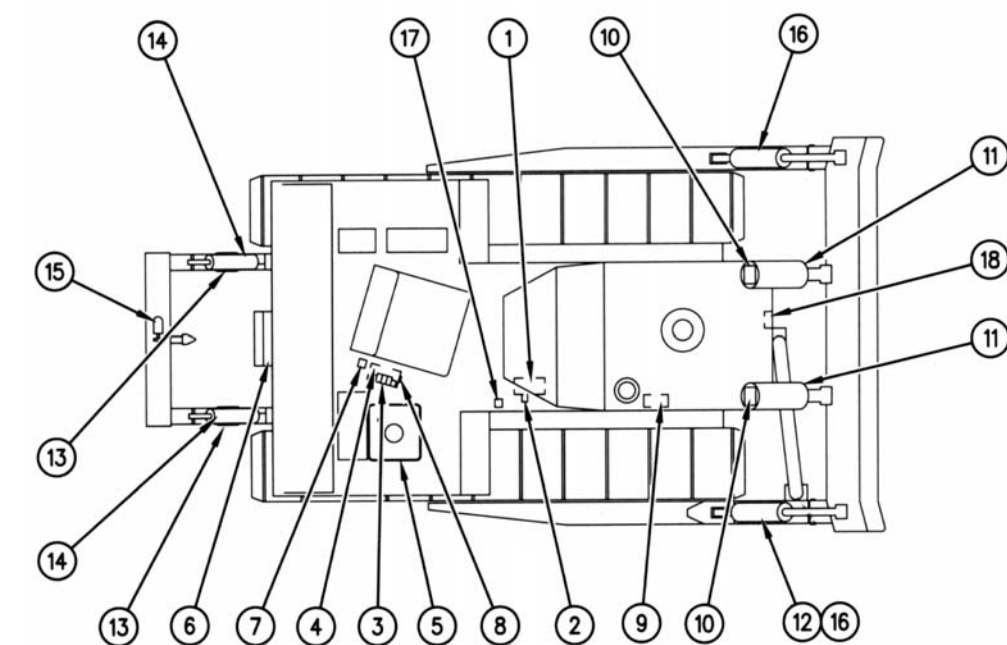
# Schematic

## D10R Tractor Hydraulic System

3KR1-UP



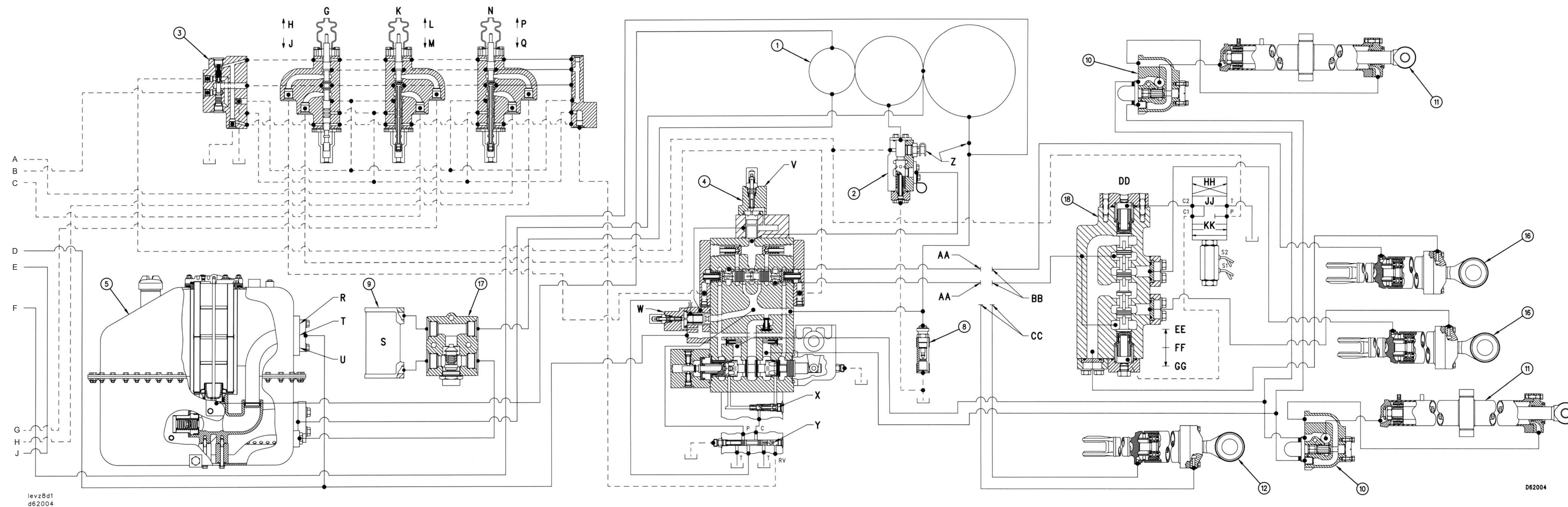
Item	Description	Item	Description
A	Shank Out	1	Attachment Hydraulic Pump
B	Raise	2	Restrictor Valve
C	Transmission	3	Pilot Valve
D	Transmission Oil Filter	4	Bulldozer Control Valve
E	Transmission Oil Pump	5	Hydraulic Oil Tank and Filter
F	S1 Energized - P/C1	6	Ripper Control Valve
	S2 Energized - P/C2	7	Pin Puller Control Valve
G	Bulldozer Tilt	8	Air Bleed Valve
H	Extend	9	Hydraulic Oil Cooler
J	Retract	10	Quick Drop Valve
K	Ripper Lift	11	Bulldozer Lift Cylinder
L	Raise	12	Bulldozer Tilt Cylinder
M	Lower	13	Ripper Lift Cylinder
N	Ripper Tip	14	Ripper Tip Cylinder
P	Shank In	15	Pin Puller Cylinder
Q	Shank Out	16	Bulldozer Dual Tilt Cylinder
R	Pilot Valve Drain	17	Cooler Bypass Valve
S	Water/Oil Cooler	18	Dual Tilt Control Valve
T	Restrictor Valve Vent		
U	Bulldozer Lift Valve		
V	Tilt Relief		
W	Dozer Relief Valve		
X	Ball Resolver Valve		
Y	Shuttle Stem		
Z	Test Location		
AA	Tilt Cylinder Line		
BB	Connect Tilt Cylinder Lines Here For Dual Tilt Attachment		
CC	Connect Tilt Cylinder Lines Here For Single Tilt Attachment		
DD	S1 Energized - P/C1 Tip		
	- Neutral		
	S2 Energized - P/C2 Dual Tilt/Single Tilt		
EE	Tip (Stem Shifted Up)		
FF	Dual Tilt (Stem in Neutral)		
GG	Single Tilt (Stem Shifted Down)		
HH	Single Tilt Position		
JJ	Dual Tilt Position		
KK	Tip Position		



© 1996 Caterpillar  
All Rights Reserved

Printed in U.S.A.





levz8d1  
d62004

D62004