

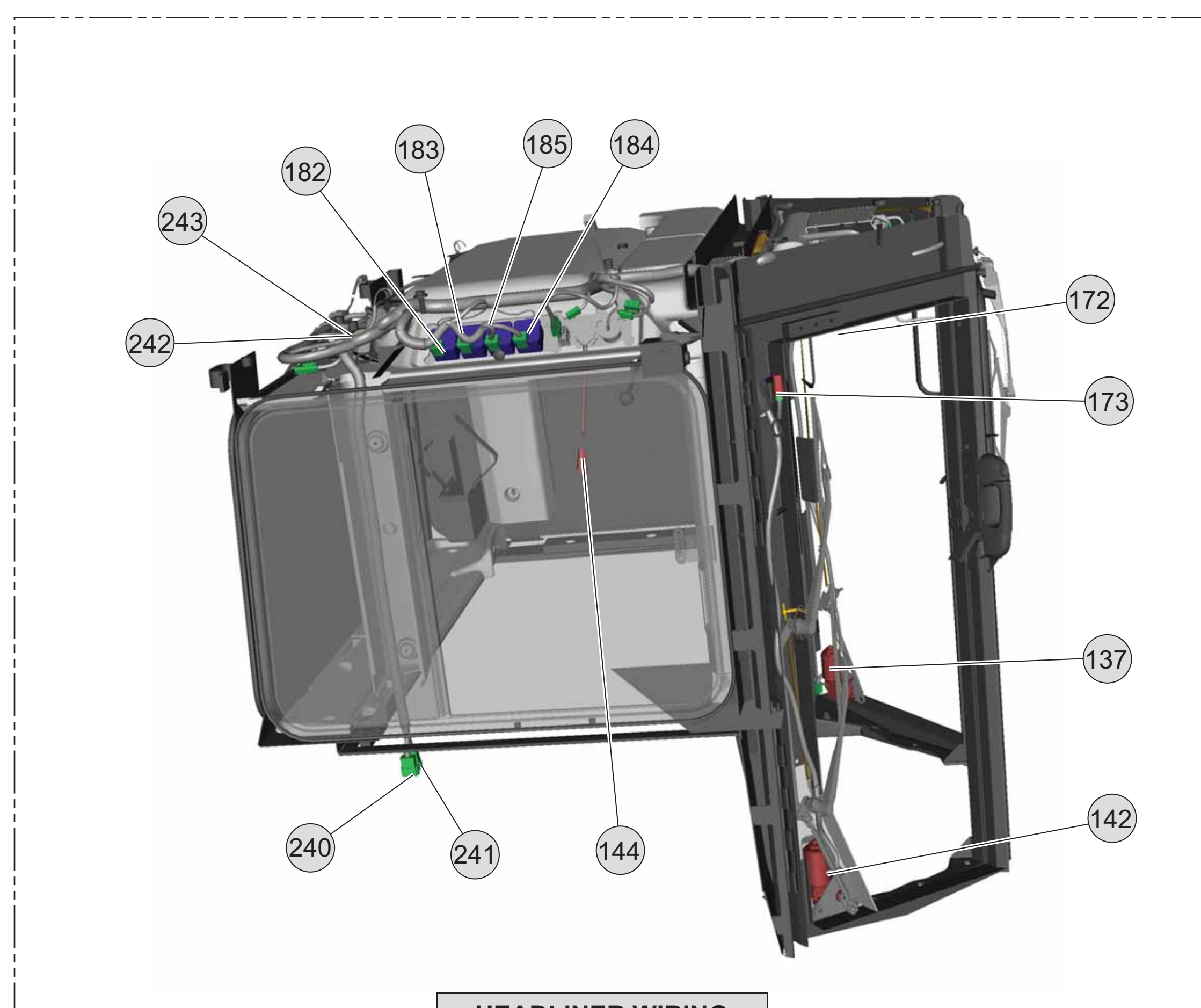
WIRE GROUP	WIRE COLOR	WIRE SIZE	WIRE LENGTH	WIRE WEIGHT	WIRE PART NUMBER	WIRE DESCRIPTION
W1	RED	16	1.0	0.000	W1	WIRE FROM BATTERY TO FUSE
W2	RED	16	1.0	0.000	W2	WIRE FROM BATTERY TO FUSE
W3	RED	16	1.0	0.000	W3	WIRE FROM BATTERY TO FUSE
W4	RED	16	1.0	0.000	W4	WIRE FROM BATTERY TO FUSE
W5	RED	16	1.0	0.000	W5	WIRE FROM BATTERY TO FUSE
W6	RED	16	1.0	0.000	W6	WIRE FROM BATTERY TO FUSE
W7	RED	16	1.0	0.000	W7	WIRE FROM BATTERY TO FUSE
W8	RED	16	1.0	0.000	W8	WIRE FROM BATTERY TO FUSE
W9	RED	16	1.0	0.000	W9	WIRE FROM BATTERY TO FUSE
W10	RED	16	1.0	0.000	W10	WIRE FROM BATTERY TO FUSE
W11	RED	16	1.0	0.000	W11	WIRE FROM BATTERY TO FUSE
W12	RED	16	1.0	0.000	W12	WIRE FROM BATTERY TO FUSE
W13	RED	16	1.0	0.000	W13	WIRE FROM BATTERY TO FUSE
W14	RED	16	1.0	0.000	W14	WIRE FROM BATTERY TO FUSE
W15	RED	16	1.0	0.000	W15	WIRE FROM BATTERY TO FUSE
W16	RED	16	1.0	0.000	W16	WIRE FROM BATTERY TO FUSE
W17	RED	16	1.0	0.000	W17	WIRE FROM BATTERY TO FUSE
W18	RED	16	1.0	0.000	W18	WIRE FROM BATTERY TO FUSE
W19	RED	16	1.0	0.000	W19	WIRE FROM BATTERY TO FUSE
W20	RED	16	1.0	0.000	W20	WIRE FROM BATTERY TO FUSE
W21	RED	16	1.0	0.000	W21	WIRE FROM BATTERY TO FUSE
W22	RED	16	1.0	0.000	W22	WIRE FROM BATTERY TO FUSE
W23	RED	16	1.0	0.000	W23	WIRE FROM BATTERY TO FUSE
W24	RED	16	1.0	0.000	W24	WIRE FROM BATTERY TO FUSE
W25	RED	16	1.0	0.000	W25	WIRE FROM BATTERY TO FUSE
W26	RED	16	1.0	0.000	W26	WIRE FROM BATTERY TO FUSE
W27	RED	16	1.0	0.000	W27	WIRE FROM BATTERY TO FUSE
W28	RED	16	1.0	0.000	W28	WIRE FROM BATTERY TO FUSE
W29	RED	16	1.0	0.000	W29	WIRE FROM BATTERY TO FUSE
W30	RED	16	1.0	0.000	W30	WIRE FROM BATTERY TO FUSE
W31	RED	16	1.0	0.000	W31	WIRE FROM BATTERY TO FUSE
W32	RED	16	1.0	0.000	W32	WIRE FROM BATTERY TO FUSE
W33	RED	16	1.0	0.000	W33	WIRE FROM BATTERY TO FUSE
W34	RED	16	1.0	0.000	W34	WIRE FROM BATTERY TO FUSE
W35	RED	16	1.0	0.000	W35	WIRE FROM BATTERY TO FUSE
W36	RED	16	1.0	0.000	W36	WIRE FROM BATTERY TO FUSE
W37	RED	16	1.0	0.000	W37	WIRE FROM BATTERY TO FUSE
W38	RED	16	1.0	0.000	W38	WIRE FROM BATTERY TO FUSE
W39	RED	16	1.0	0.000	W39	WIRE FROM BATTERY TO FUSE
W40	RED	16	1.0	0.000	W40	WIRE FROM BATTERY TO FUSE
W41	RED	16	1.0	0.000	W41	WIRE FROM BATTERY TO FUSE
W42	RED	16	1.0	0.000	W42	WIRE FROM BATTERY TO FUSE
W43	RED	16	1.0	0.000	W43	WIRE FROM BATTERY TO FUSE
W44	RED	16	1.0	0.000	W44	WIRE FROM BATTERY TO FUSE
W45	RED	16	1.0	0.000	W45	WIRE FROM BATTERY TO FUSE
W46	RED	16	1.0	0.000	W46	WIRE FROM BATTERY TO FUSE
W47	RED	16	1.0	0.000	W47	WIRE FROM BATTERY TO FUSE
W48	RED	16	1.0	0.000	W48	WIRE FROM BATTERY TO FUSE
W49	RED	16	1.0	0.000	W49	WIRE FROM BATTERY TO FUSE
W50	RED	16	1.0	0.000	W50	WIRE FROM BATTERY TO FUSE
W51	RED	16	1.0	0.000	W51	WIRE FROM BATTERY TO FUSE
W52	RED	16	1.0	0.000	W52	WIRE FROM BATTERY TO FUSE
W53	RED	16	1.0	0.000	W53	WIRE FROM BATTERY TO FUSE
W54	RED	16	1.0	0.000	W54	WIRE FROM BATTERY TO FUSE
W55	RED	16	1.0	0.000	W55	WIRE FROM BATTERY TO FUSE
W56	RED	16	1.0	0.000	W56	WIRE FROM BATTERY TO FUSE
W57	RED	16	1.0	0.000	W57	WIRE FROM BATTERY TO FUSE
W58	RED	16	1.0	0.000	W58	WIRE FROM BATTERY TO FUSE
W59	RED	16	1.0	0.000	W59	WIRE FROM BATTERY TO FUSE
W60	RED	16	1.0	0.000	W60	WIRE FROM BATTERY TO FUSE
W61	RED	16	1.0	0.000	W61	WIRE FROM BATTERY TO FUSE
W62	RED	16	1.0	0.000	W62	WIRE FROM BATTERY TO FUSE
W63	RED	16	1.0	0.000	W63	WIRE FROM BATTERY TO FUSE
W64	RED	16	1.0	0.000	W64	WIRE FROM BATTERY TO FUSE
W65	RED	16	1.0	0.000	W65	WIRE FROM BATTERY TO FUSE
W66	RED	16	1.0	0.000	W66	WIRE FROM BATTERY TO FUSE
W67	RED	16	1.0	0.000	W67	WIRE FROM BATTERY TO FUSE
W68	RED	16	1.0	0.000	W68	WIRE FROM BATTERY TO FUSE
W69	RED	16	1.0	0.000	W69	WIRE FROM BATTERY TO FUSE
W70	RED	16	1.0	0.000	W70	WIRE FROM BATTERY TO FUSE
W71	RED	16	1.0	0.000	W71	WIRE FROM BATTERY TO FUSE
W72	RED	16	1.0	0.000	W72	WIRE FROM BATTERY TO FUSE
W73	RED	16	1.0	0.000	W73	WIRE FROM BATTERY TO FUSE
W74	RED	16	1.0	0.000	W74	WIRE FROM BATTERY TO FUSE
W75	RED	16	1.0	0.000	W75	WIRE FROM BATTERY TO FUSE
W76	RED	16	1.0	0.000	W76	WIRE FROM BATTERY TO FUSE
W77	RED	16	1.0	0.000	W77	WIRE FROM BATTERY TO FUSE
W78	RED	16	1.0	0.000	W78	WIRE FROM BATTERY TO FUSE
W79	RED	16	1.0	0.000	W79	WIRE FROM BATTERY TO FUSE
W80	RED	16	1.0	0.000	W80	WIRE FROM BATTERY TO FUSE
W81	RED	16	1.0	0.000	W81	WIRE FROM BATTERY TO FUSE
W82	RED	16	1.0	0.000	W82	WIRE FROM BATTERY TO FUSE
W83	RED	16	1.0	0.000	W83	WIRE FROM BATTERY TO FUSE
W84	RED	16	1.0	0.000	W84	WIRE FROM BATTERY TO FUSE
W85	RED	16	1.0	0.000	W85	WIRE FROM BATTERY TO FUSE
W86	RED	16	1.0	0.000	W86	WIRE FROM BATTERY TO FUSE
W87	RED	16	1.0	0.000	W87	WIRE FROM BATTERY TO FUSE
W88	RED	16	1.0	0.000	W88	WIRE FROM BATTERY TO FUSE
W89	RED	16	1.0	0.000	W89	WIRE FROM BATTERY TO FUSE
W90	RED	16	1.0	0.000	W90	WIRE FROM BATTERY TO FUSE
W91	RED	16	1.0	0.000	W91	WIRE FROM BATTERY TO FUSE
W92	RED	16	1.0	0.000	W92	WIRE FROM BATTERY TO FUSE
W93	RED	16	1.0	0.000	W93	WIRE FROM BATTERY TO FUSE
W94	RED	16	1.0	0.000	W94	WIRE FROM BATTERY TO FUSE
W95	RED	16	1.0	0.000	W95	WIRE FROM BATTERY TO FUSE
W96	RED	16	1.0	0.000	W96	WIRE FROM BATTERY TO FUSE
W97	RED	16	1.0	0.000	W97	WIRE FROM BATTERY TO FUSE
W98	RED	16	1.0	0.000	W98	WIRE FROM BATTERY TO FUSE
W99	RED	16	1.0	0.000	W99	WIRE FROM BATTERY TO FUSE
W100	RED	16	1.0	0.000	W100	WIRE FROM BATTERY TO FUSE

SYMBOL	DESCRIPTION
+	CIRCUIT CONNECTED
-	CIRCUIT NOT CONNECTED
+	ELECTRICAL CONNECTION TO
-	ELECTRICAL CONNECTION FROM
+	CONNECTOR
+	CIRCUIT GROUPING IDENTIFICATION
+	PROTECTIVE CABLE COMPONENT
+	SHIELD
+	BLADE, WIRE, PIN OR SCREW IDENTIFICATION

ABBREV	COLOR
WH	WHITE
OR	ORANGE
YL	YELLOW
PK	PINK
BL	BLACK
GR	GRAY
PU	PURPLE
BR	BROWN
GN	GREEN
BU	BLUE

THIS SCHEMATIC IS FOR THE D11T TRACK-TYPE TRACTOR ELECTRICAL SYSTEM  
 VOLUME 1 of 2: ENGINE AND CHASSIS  
 MEDIA NUMBER: REN8179-03  
 SCHEMATIC PART NUMBER: 247-9955, CHANGE: 02, VERSION: -  
 Components are shown installed on a fully operable machine with the key and engine off, transmission shifter in neutral and with parking brake set.  
 Refer to the appropriate Service Manual for Troubleshooting, Specifications and Systems Operators.



HEADLINER WIRING



MACHINE COMPONENT AND CONNECTOR LOCATIONS

Table with 6 columns: Component, Schematic Location, Machine Location, Component, Schematic Location, Machine Location. Lists various components like sensors, switches, and actuators.

Table with 2 columns: CID, Component. Lists Component Identifiers (CID) and Module Identifiers (MDI) for various machine components.

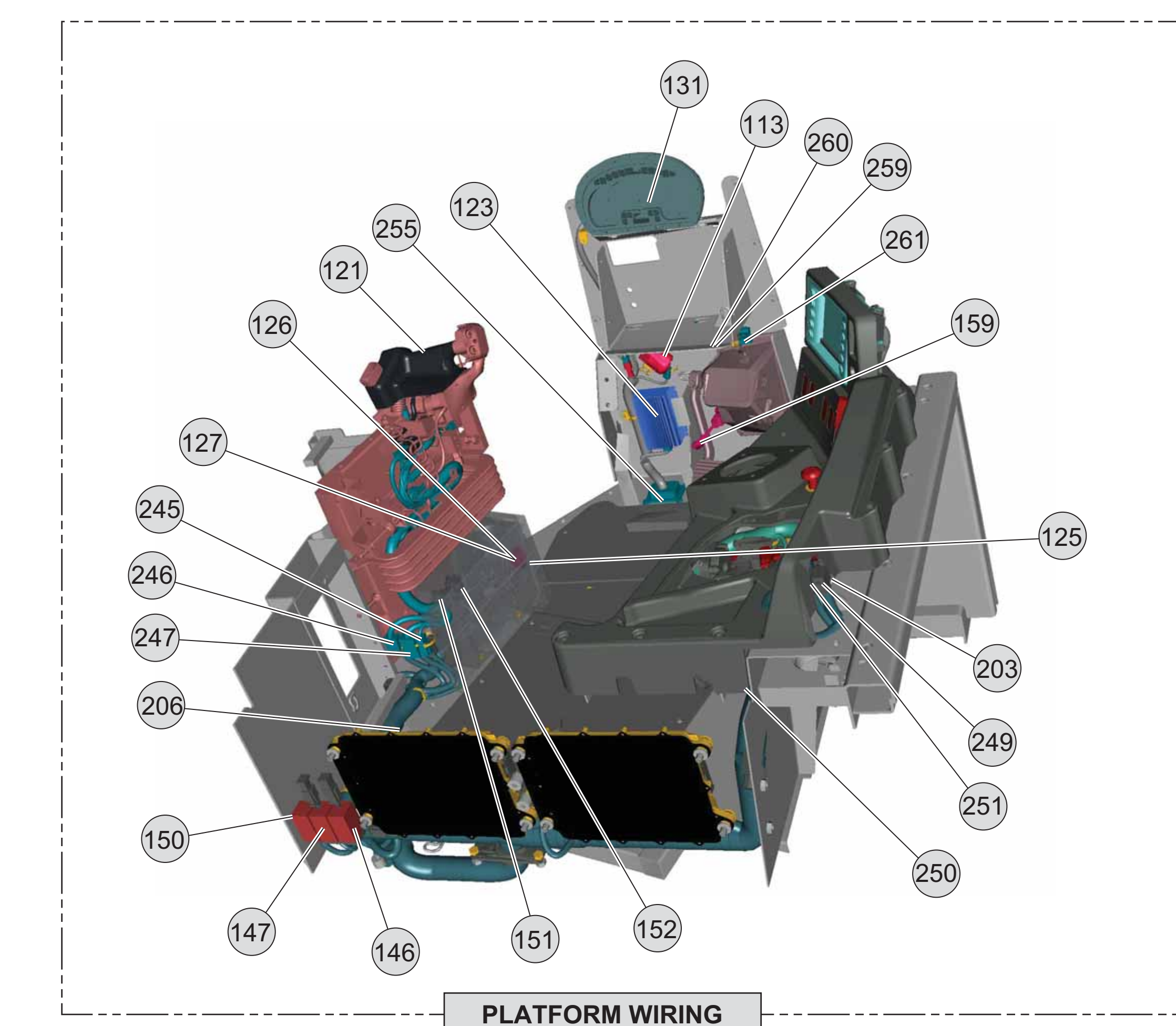
# Schematic

## D11T Track-Type Tractor Electrical System

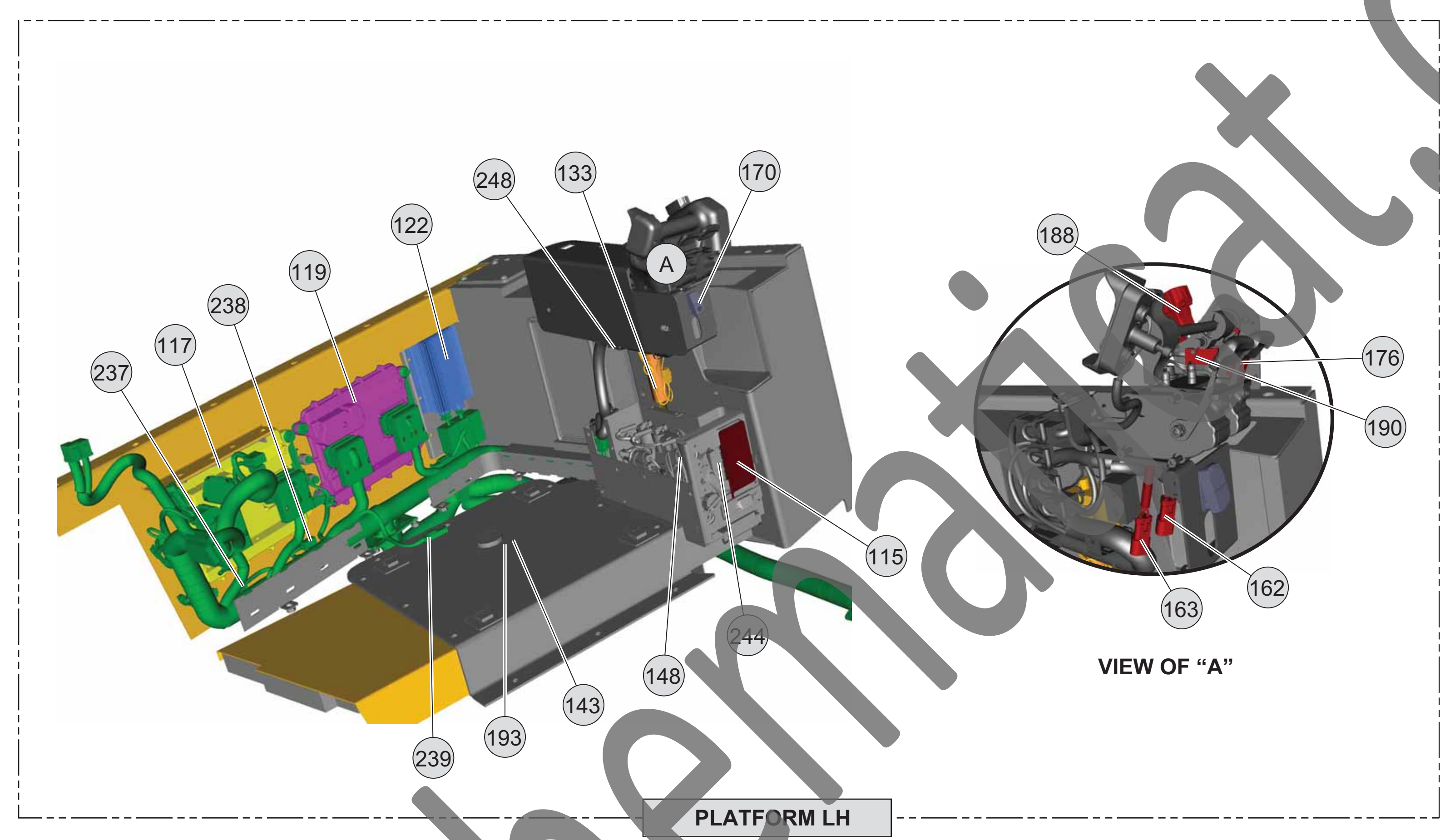
GEB1-UP  
TPB1-UP

Volume 2 of 2: Cab

© 2013 Caterpillar. All Rights Reserved. Printed in U.S.A.



PLATFORM WIRING



PLATFORM LH

Table with 3 columns: Connector Number, Schematic Location, Machine Location. Lists connector locations for various components.

Connector Location

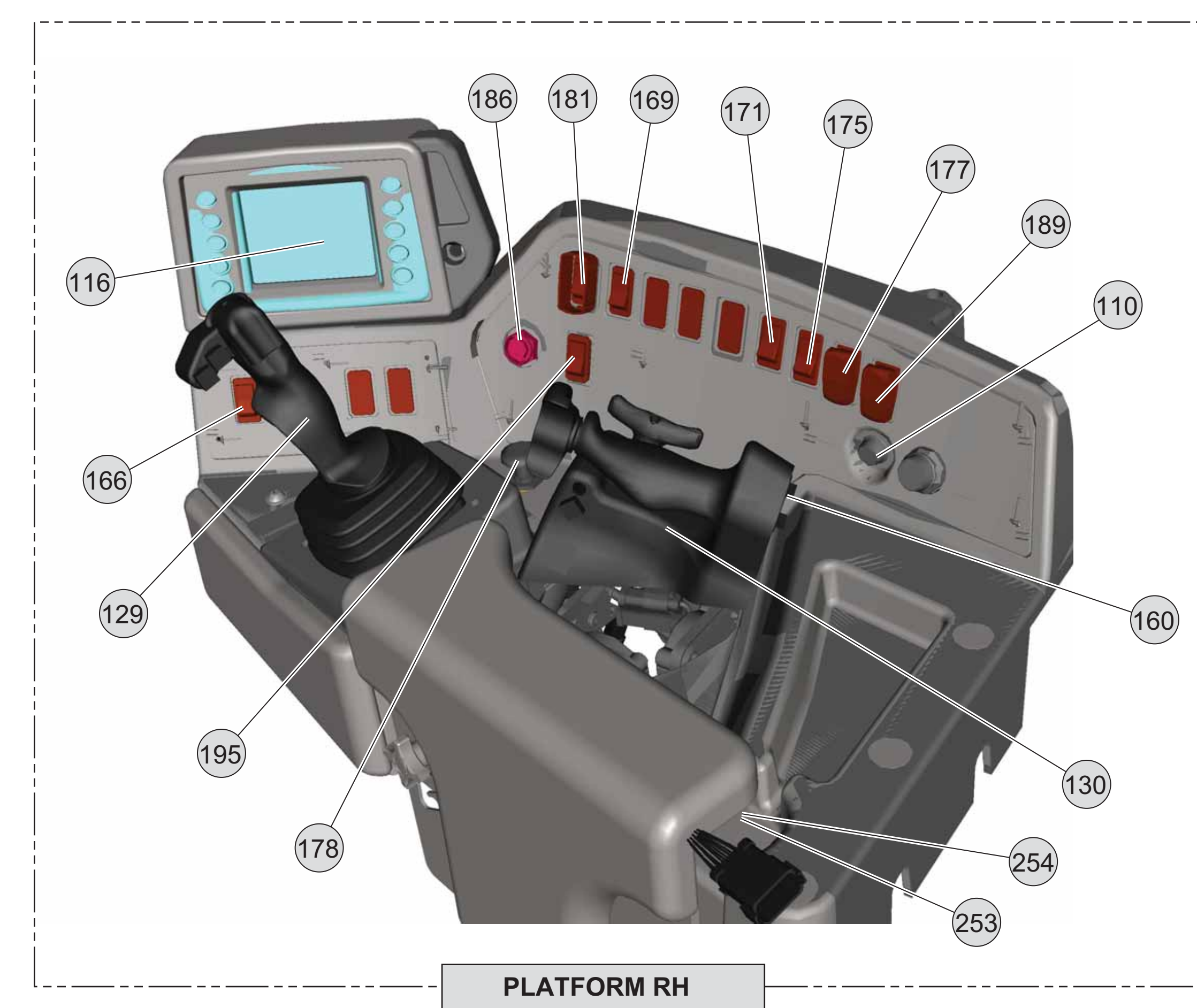
Event Codes

Related Electrical Service Manuals

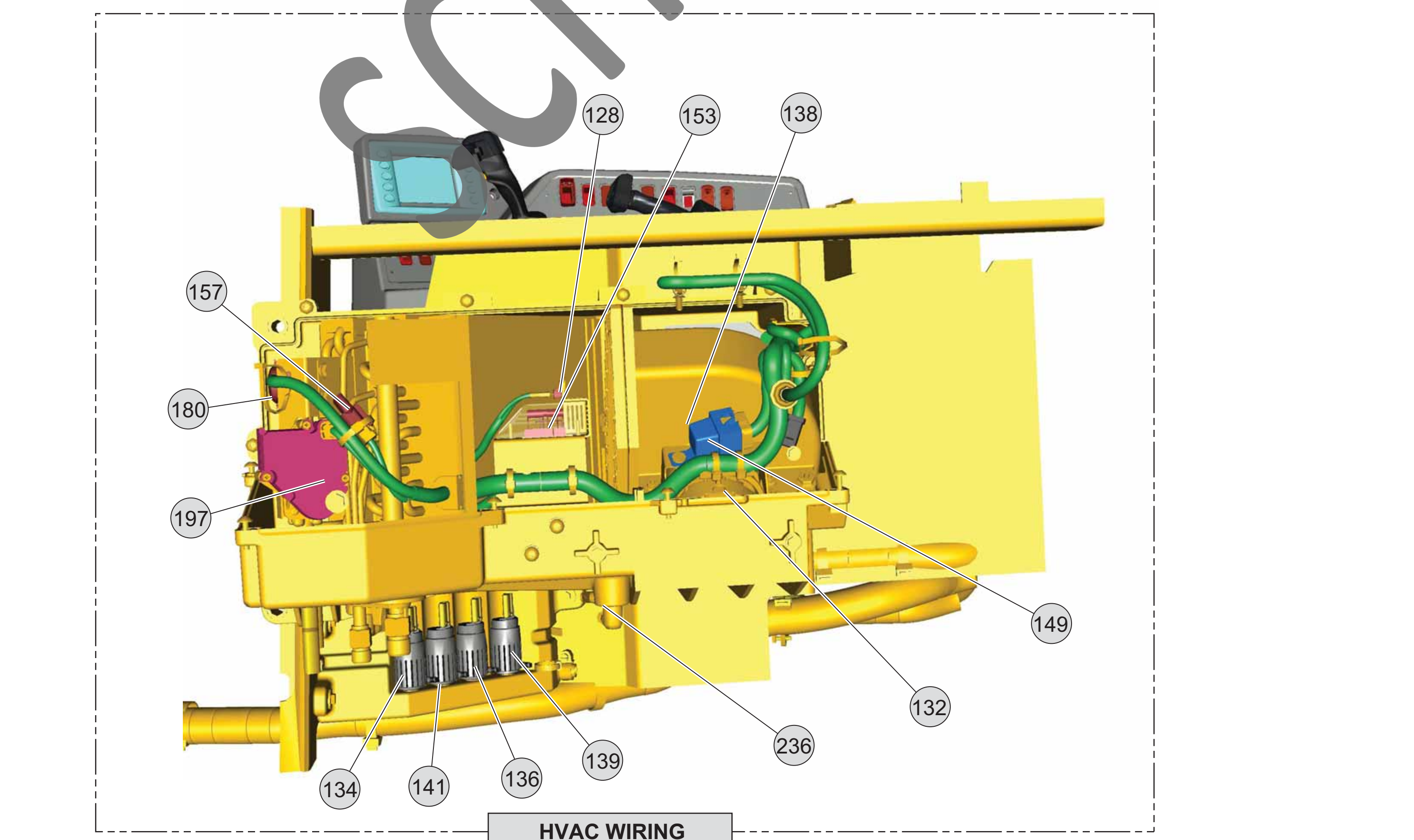
Failure Mode Identifiers (FMI)

Volume 2 - Resistor Specifications

Volume 2 - OR-Machine Switch Specification



PLATFORM RH



HVAC WIRING

Harness and Wire Electrical Schematic Symbols. Includes sections for Symbols and Definitions, Harness and Wire Symbols, and Resistor Specifications. Contains various electrical symbols and their corresponding definitions.

Table with 3 columns: Part No., Component Description, Resistance (Ohms). Lists resistor specifications for various components.

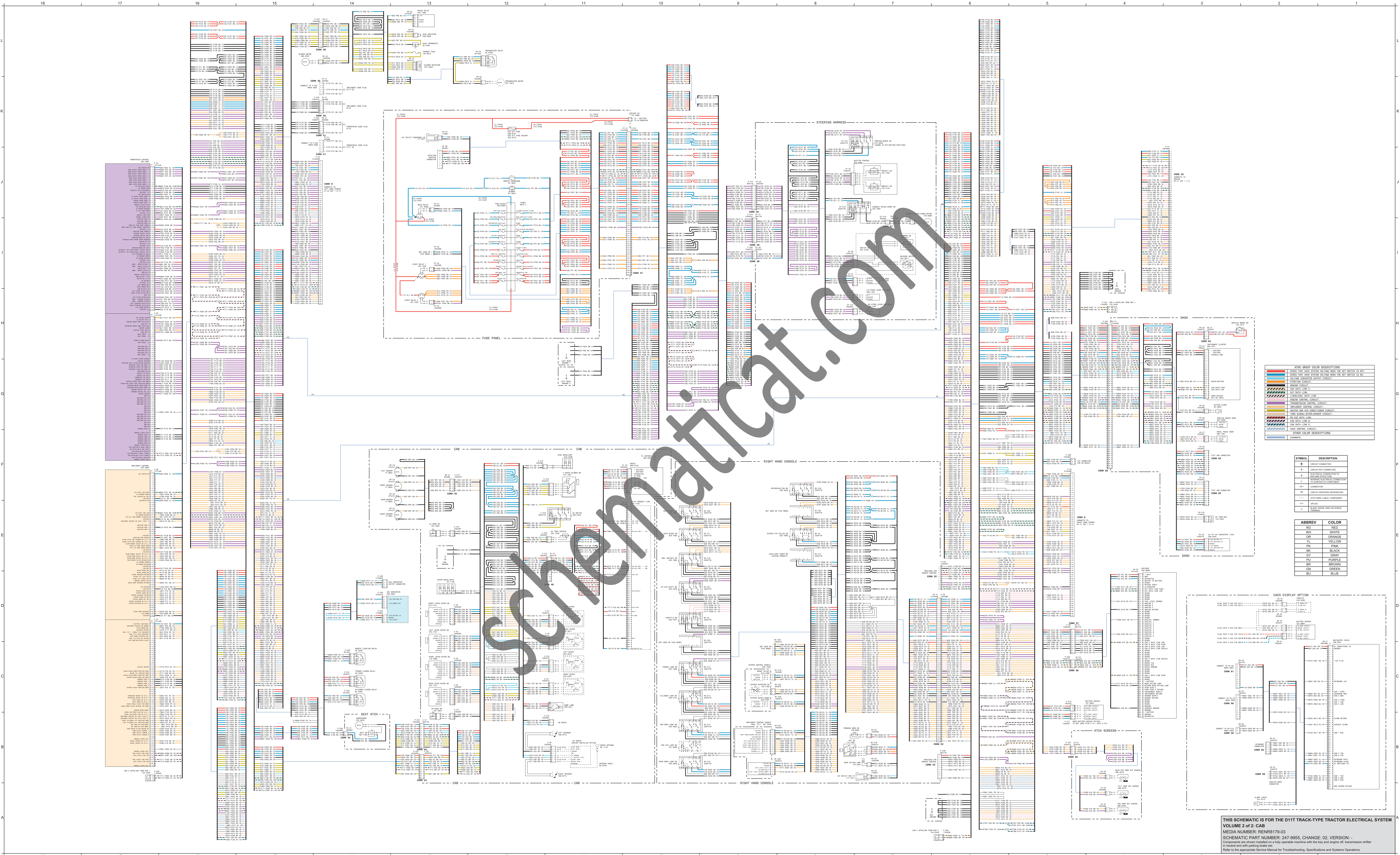
Table with 4 columns: Part No., Function, Activate, Distribute, Contact Position. Lists OR-machine switch specifications.

Failure Mode Identifiers (FMI) - This CID is a diagnostic code that indicates which control is faulty. The FMI is a diagnostic code that indicates which control is faulty.

Table with 2 columns: Title, Part Number. Lists related electrical service manuals.

Table with 2 columns: Part No., Component Description, Resistance (Ohms). Lists resistor specifications.

Table with 4 columns: Part No., Function, Activate, Distribute, Contact Position. Lists OR-machine switch specifications.



WIRE GROUP COLOR DESCRIPTIONS

- RED: FEEDS THAT HAS OVER VOLTAGE AND TO KEY SWITCH TO STOP
- ORANGE: FEEDS THAT HAS STOP AND TO THE KEY SWITCH TO STOP
- YELLOW: FEEDS STOP/STOP/STOP/STOP/STOP
- GREEN: FEEDS STOP/STOP/STOP/STOP/STOP
- BLUE: FEEDS STOP/STOP/STOP/STOP/STOP
- ... [Other descriptions follow similar pattern]

SYMBOL	DESCRIPTION
+	WIRING CONNECTED
+	WIRING CONNECTED
+	WIRING CONNECTED
+	WIRING CONNECTED
+	WIRING CONNECTED
+	WIRING CONNECTED
+	WIRING CONNECTED
+	WIRING CONNECTED
+	WIRING CONNECTED
+	WIRING CONNECTED

ABBREVIATION	COLOR
RD	RED
WH	WHITE
OR	ORANGE
YL	YELLOW
GN	GREEN
BLK	BLACK
BU	BLUE
PUR	PURPLE
BRN	BROWN
GN	GREEN
BU	BLUE

THIS SCHEMATIC IS FOR THE D11T TRACK-TYPE TRACTOR ELECTRICAL SYSTEM  
VOLUME 2 of 2 - CAB  
MEDIA NUMBER: REN8179-03  
SCHEMATIC PART NUMBER: 247-9955, CHANGE: 02, VERSION: -  
Components are shown installed on a fully equipped machine with the key and engine off, transmission in R, in neutral and with parking brake set.  
Refer to the appropriate Service Manual for Troubleshooting, Specifications and Systems Operations.