

CATERPILLAR®

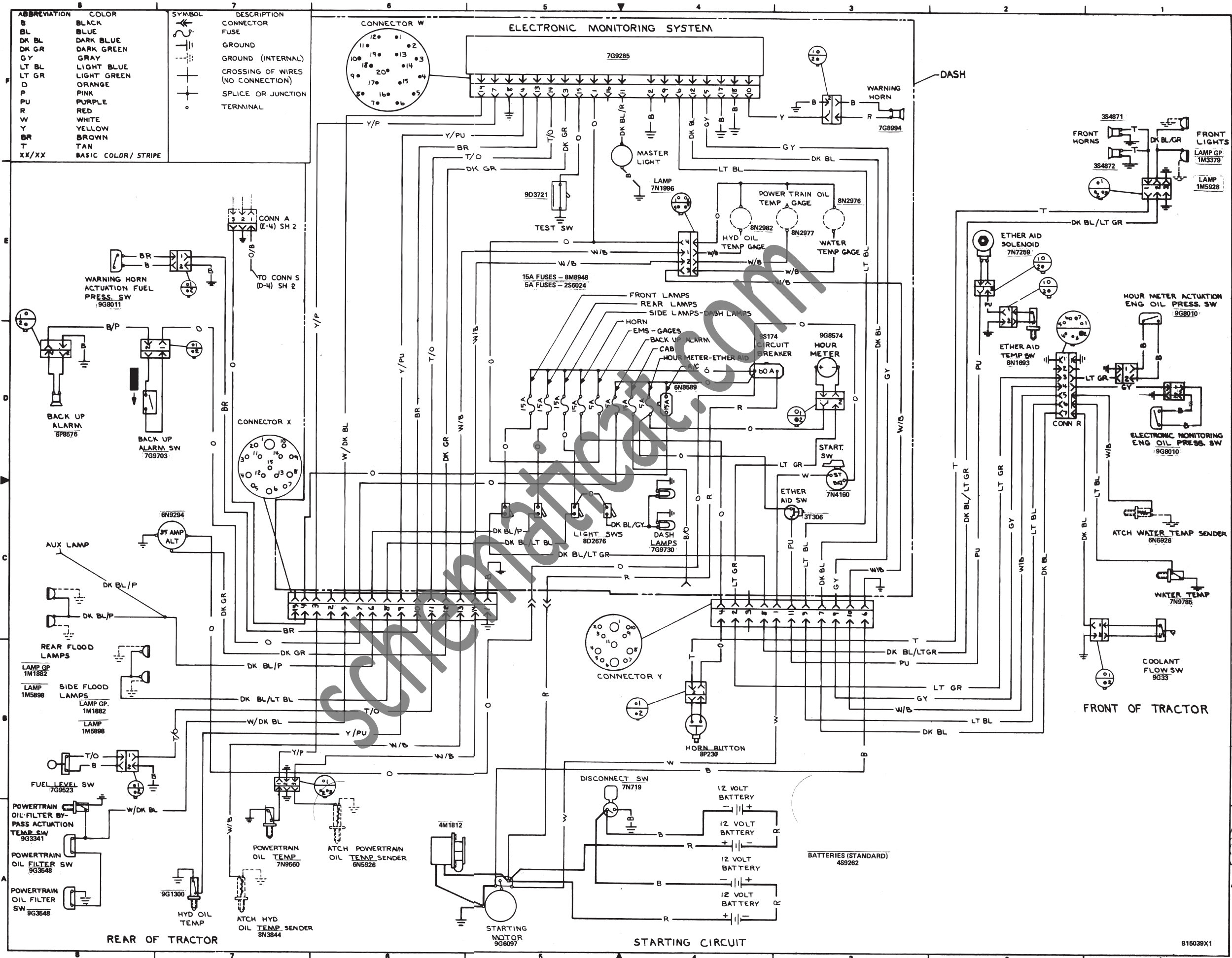
SEN2103-01
December 1980

**D9L Tractor
Electrical System**

14Y1-3133

SchematicCatalog.com

D65505



ABBREVIATION	COLOR
B	BLACK
BL	BLUE
DK BL	DARK BLUE
DK GR	DARK GREEN
GY	GRAY
LT BL	LIGHT BLUE
LT GR	LIGHT GREEN
O	ORANGE
P	PINK
PU	PURPLE
R	RED
W	WHITE
Y	YELLOW
BR	BROWN
T	TAN
XX/XX	BASIC COLOR/ STRIPE

SYMBOL	DESCRIPTION
(Two circles connected by a line)	CONNECTOR
(A rectangle with a diagonal line)	FUSE
(A horizontal line with a vertical line through the center)	GROUND
(A horizontal line with a vertical line through the center, dashed)	GROUND (INTERNAL)
(Two lines crossing)	CROSSING OF WIRES (NO CONNECTION)
(Two lines meeting at a point)	SPLICE OR JUNCTION
(A small circle)	TERMINAL

