

Schematic

D9N Tractor Hydraulic System

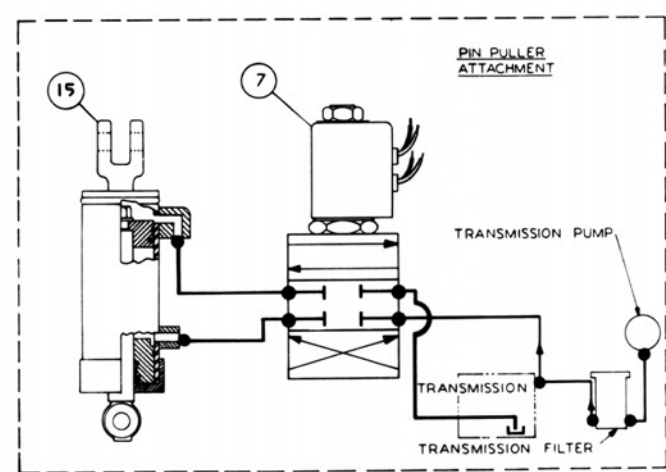
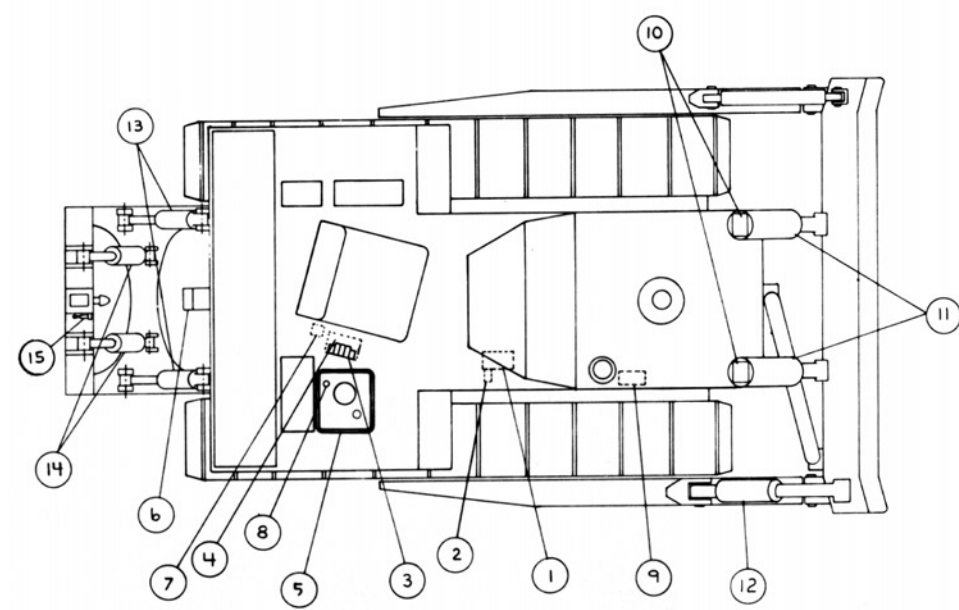
1JD (Earlier)



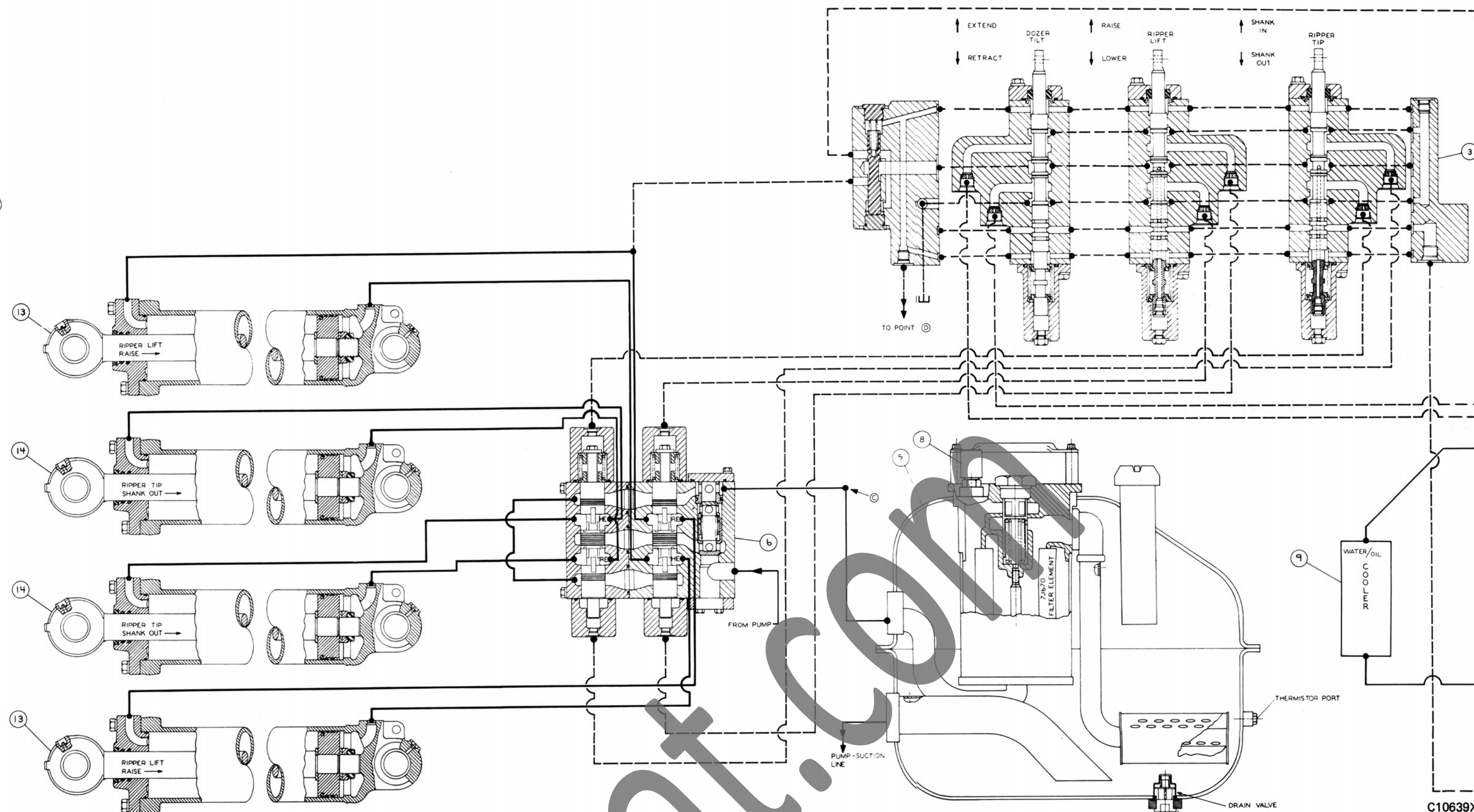
© 1986 Caterpillar
All Rights Reserved

Printed in U.S.A.

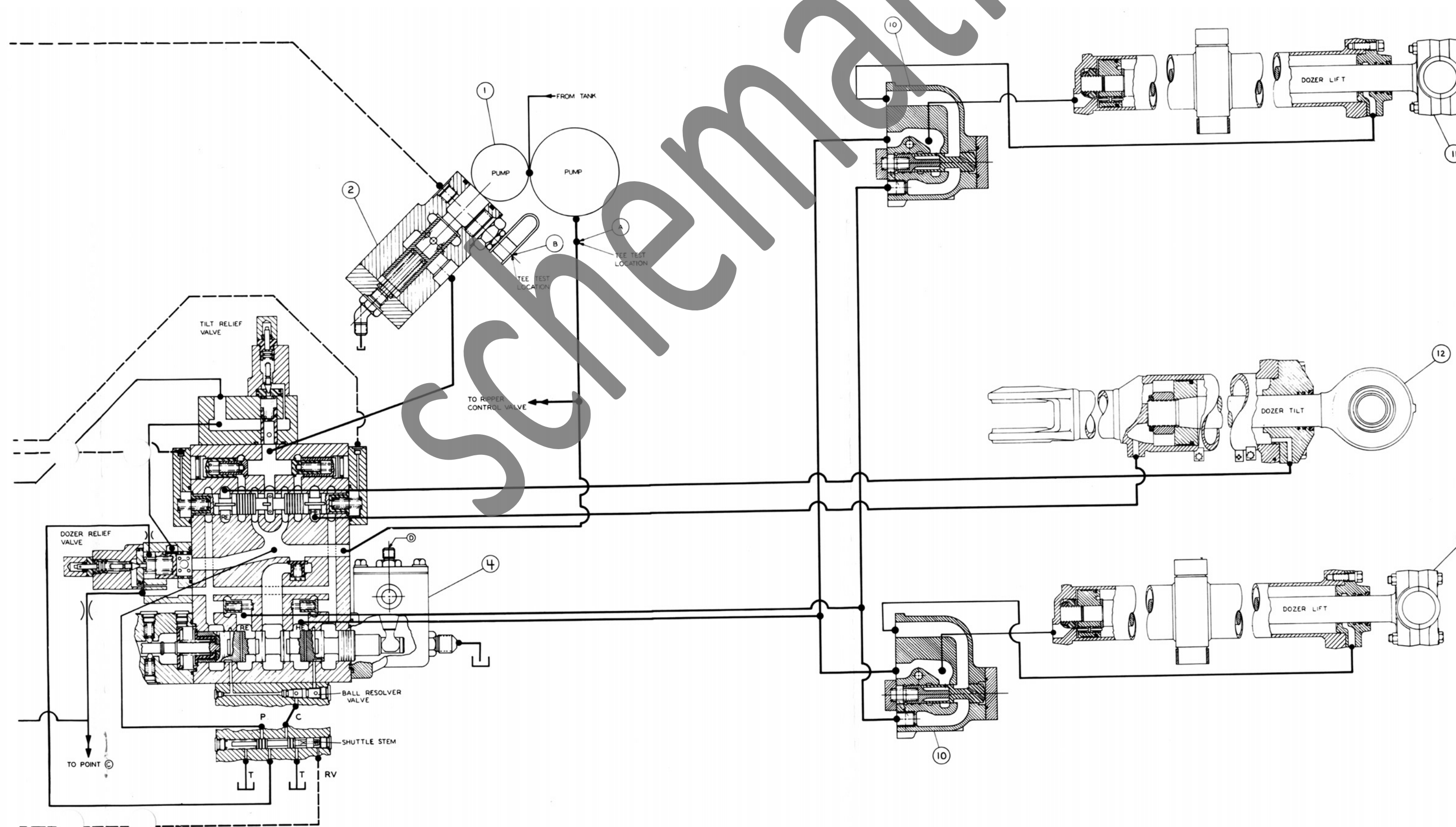
SchematicCat.com



D9N HYDRAULIC SYSTEM SCHEMATIC



C10639X1



- D9N HYDRAULIC SYSTEM SCHEMATIC**
1. HYDRAULIC PUMP
 2. PRESSURE CONTROL (RESTRICTOR) VALVE
 3. PILOT VALVE GROUP
 4. BULLDOZER CONTROL VALVE
 5. TANK AND FILTER GROUP
 6. RIPPER LIFT AND TIP CONTROL VALVE
 7. PIN PULLER CONTROL RELIEF VALVE
 8. VACUUM BREAKER RELIEF VALVE
 9. OIL COOLER (OPTIONAL)
 10. QUICK-DROP VALVE
 11. BULLDOZER LIFT CYLINDERS
 12. BULLDOZER TILT CYLINDER
 13. RIPPER LIFT CYLINDERS
 14. RIPPER TIP CYLINDERS
 15. PIN PULLER CYLINDER

C10640X1