

Schematic

315B and 318B Excavators Hydraulic System - Attachment Combined Function

315B: 1SW1-UP 2DW1-UP	315B L: 3AW1-UP	318B L: ADC1-UP 5B11-UP 6LR1-UP	318B LN: AEJ1-UP 7KZ1-UP
-----------------------------	--------------------	--	--------------------------------

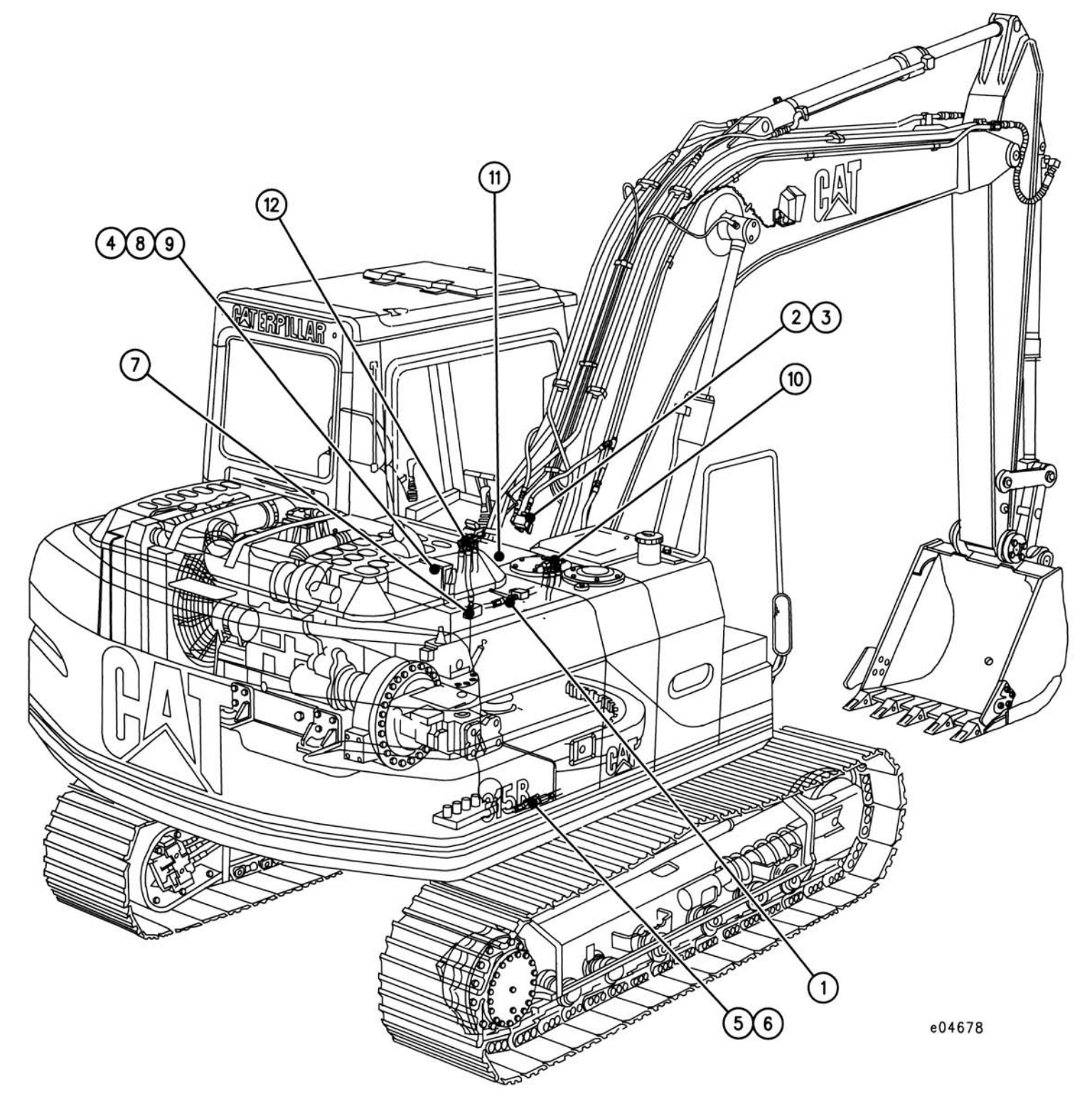
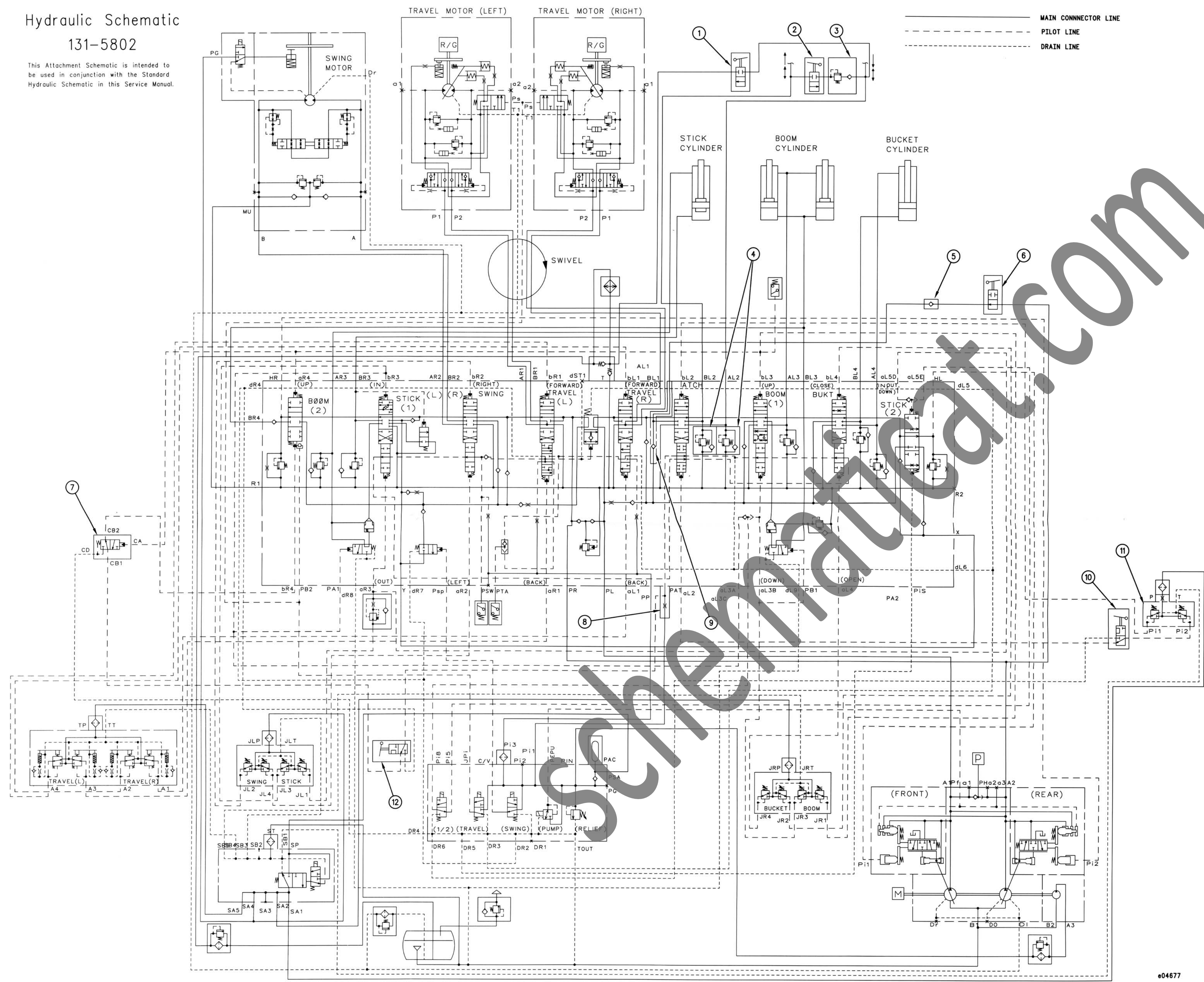
© 1999 Caterpillar
All Rights Reserved

Printed in U.S.A.

SchematicCat.com

Hydraulic Schematic
131-5802

This Attachment Schematic is intended to be used in conjunction with the Standard Hydraulic Schematic in this Service Manual.



ATTACHMENT COMPONENTS	
Item No.	Component
1	Ball Valve As
2	Ball Valve As
3	Check and Relief Valve Gp- C
4	Valve Gp- Relief Pilot
5	Check Valve Gp- C
6	Ball Valve As
7	Pilot Valve Gp- B
8	Tee- Orifice
9	Check Valve Gp- C
10	Ball Valve Gp
11	Pilot Valve Gp- A
12	Ball Valve Gp

04677

04678

04679