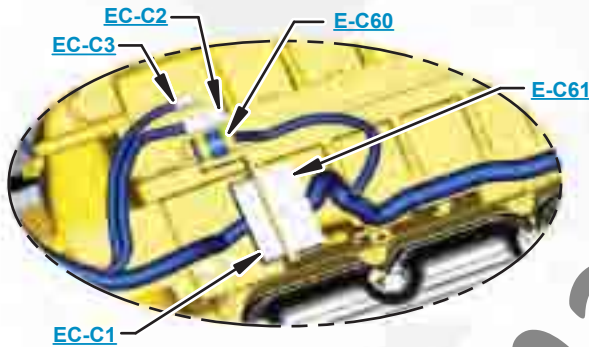


The Bookmarks panel will allow you to quickly navigate to points of interest.

****This document is best viewed at a screen resolution of 1024 X 768.***

To set your screen resolution do the following:
RIGHT CLICK on the **DESKTOP**.
 Select **PROPERTIES**.
CLICK the **SETTINGS TAB**.
MOVE THE SLIDER under **SCREEN RESOLUTION** until it shows **1024 X 768**.
CLICK OK to apply the resolution.

**Due to different monitor sizes and PDF reader preferences there may be some variance in linked schematic locations*



Click on any text that is **BLUE** and underlined. These are hyperlinks that can be used to navigate the schematic and machine views



[Click here to save a copy of this interactive schematic to your desktop](#)

VIEW ALL CALLOUTS

When only one callout is showing on a machine view, clicking on this button will make all of the callouts visible. This button is located in the top right corner of every machine view page.

HOTKEYS (Keyboard Shortcuts)		
	FUNCTION	KEYS
	Zoom In	“CTRL” / “+”
	Zoom Out	“CTRL” / “-”
	Fit to Page	“CTRL” / “0” (zero)
	Hand Tool	“SPACEBAR” (hold down)
	Find	“CTRL” / “F”

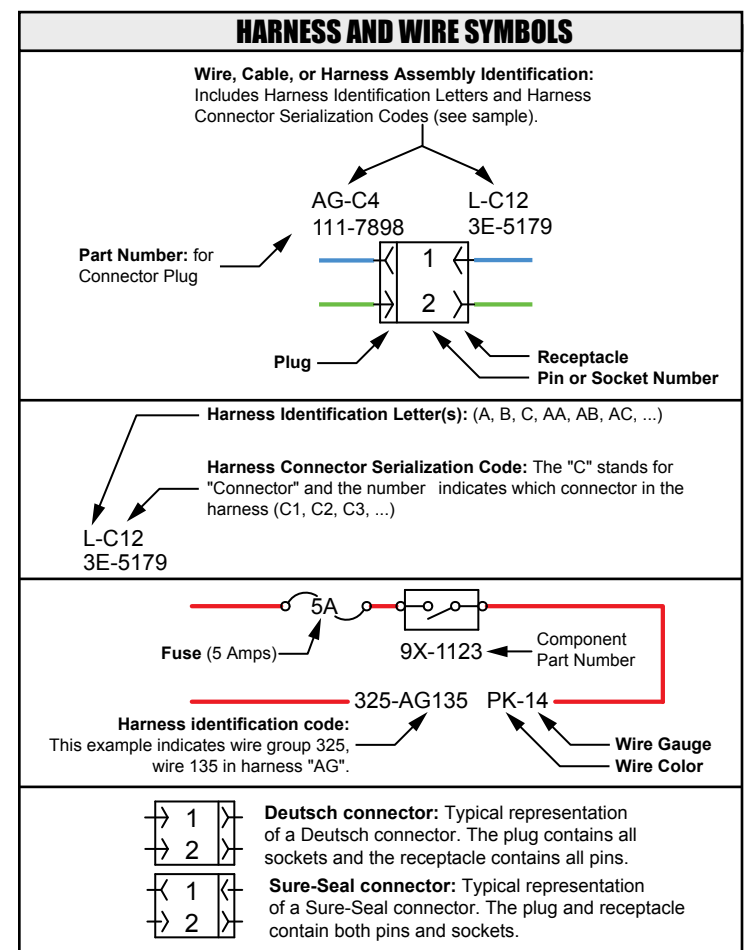
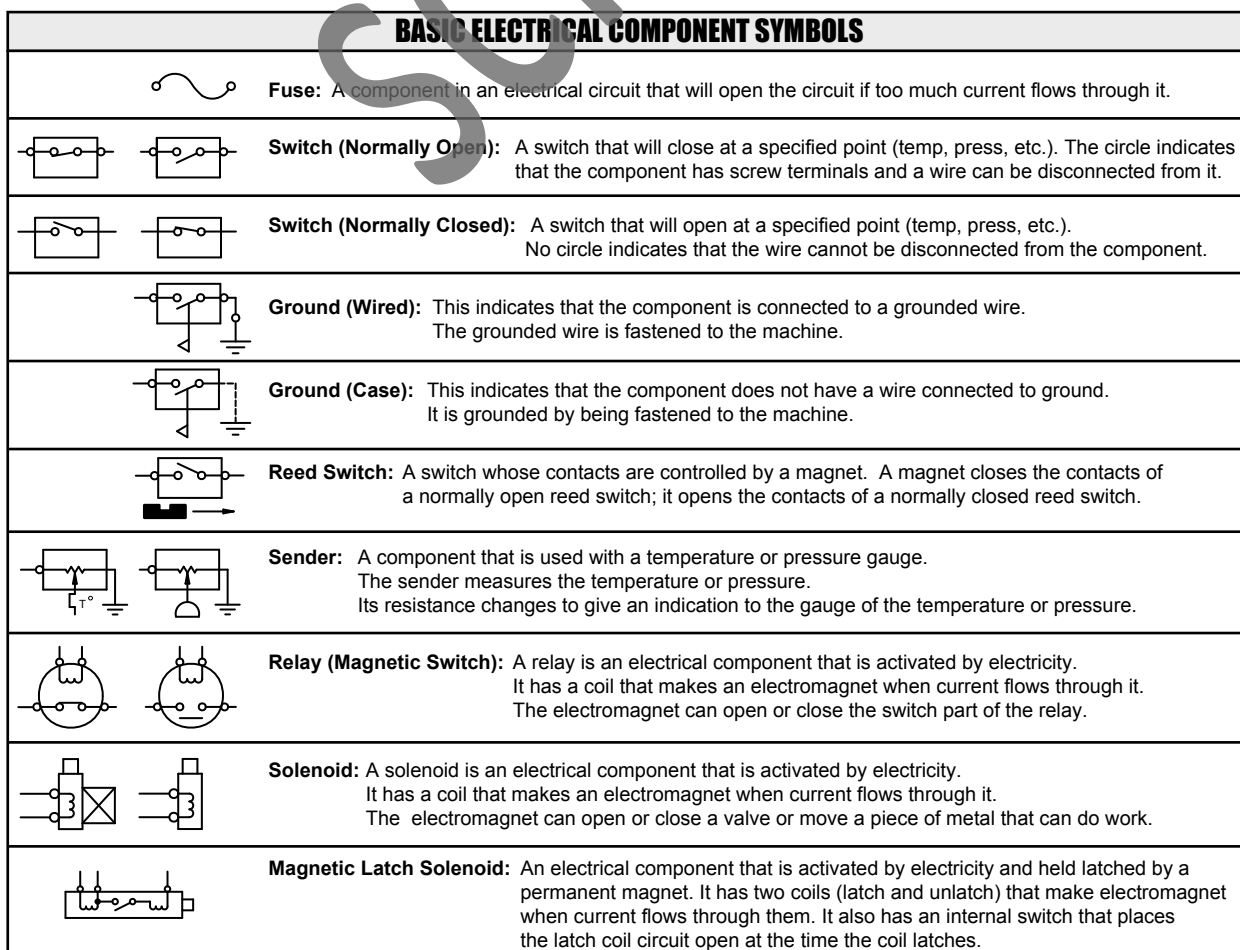
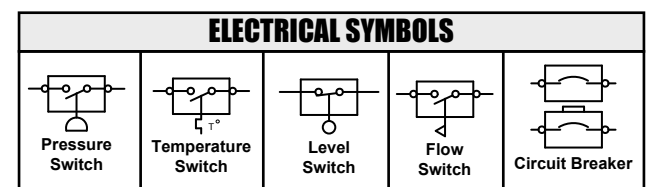
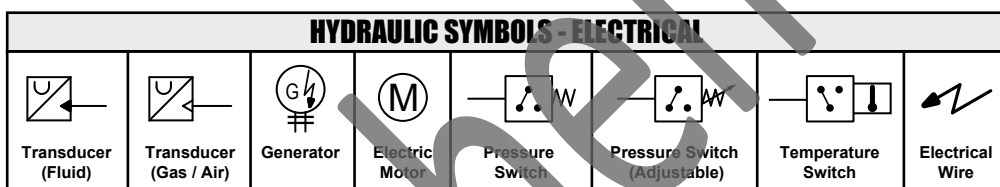
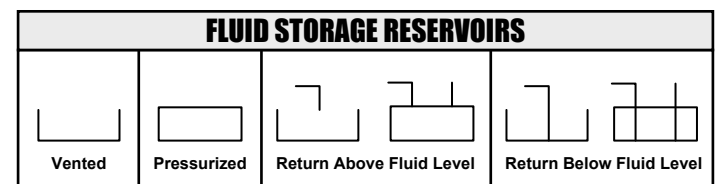
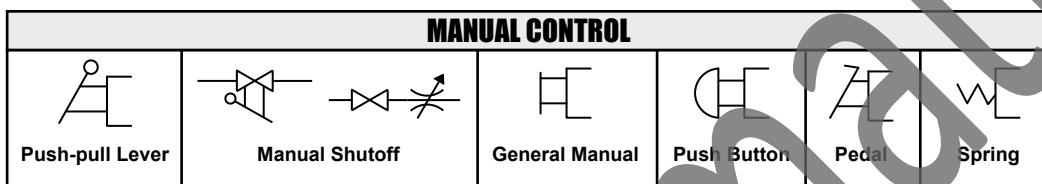
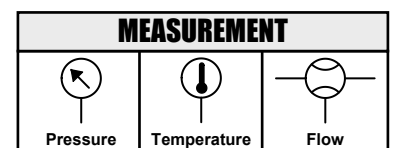
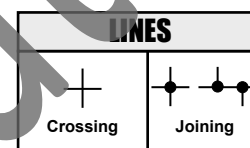
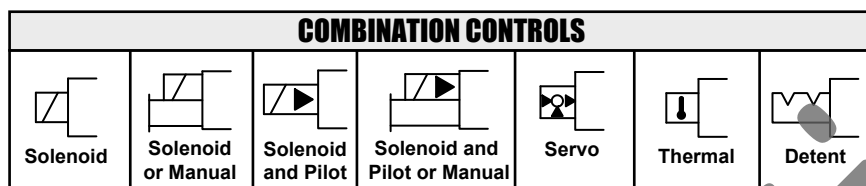
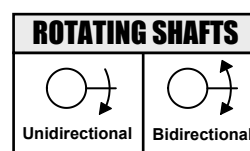
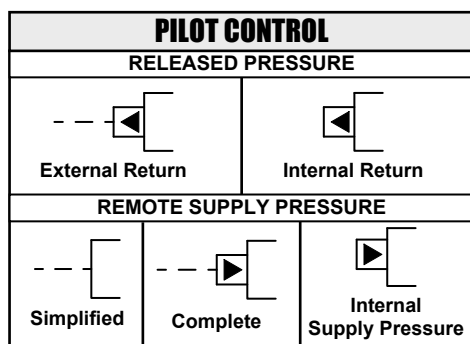
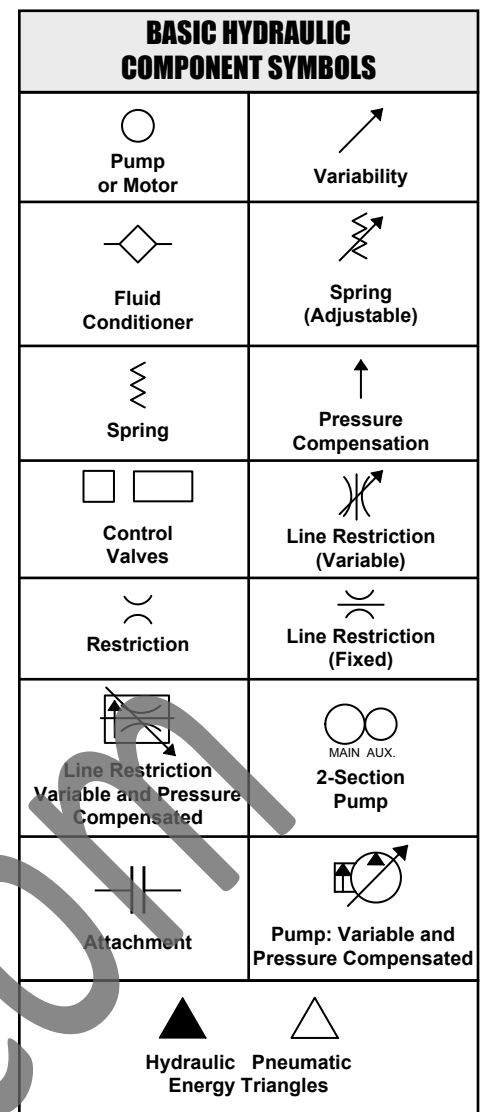
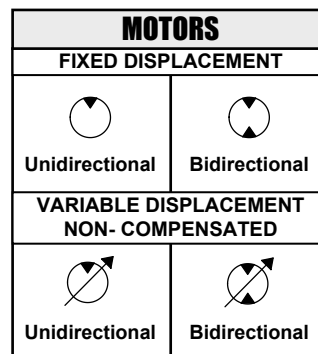
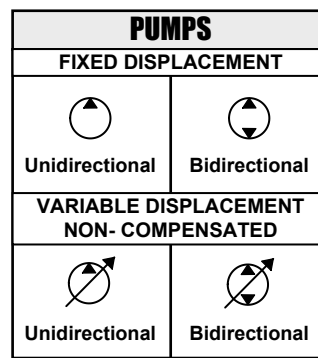
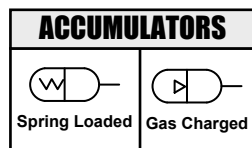
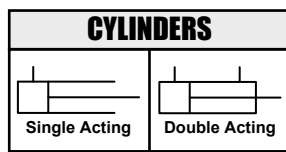
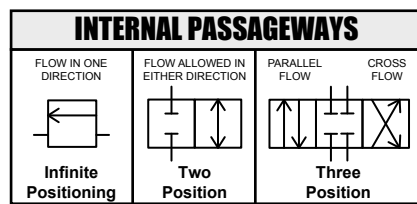
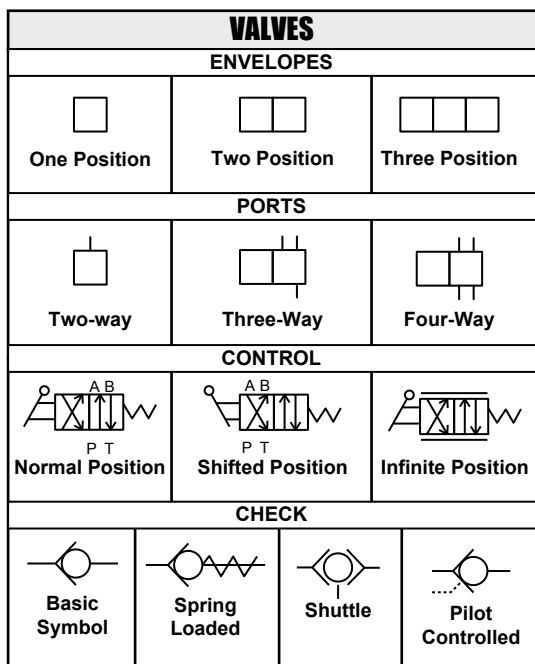
ELECTRICAL SYMBOLS				
Pressure Switch	Temperature Switch	Level Switch	Flow Switch	Circuit Breaker

BASIC HYDRAULIC COMPONENT SYMBOLS	
Pump or Motor	Variability
Fluid Conditioner	Spring (Adjustable)

[Click here to view the Schematic Symbols and Definitions page](#)



SCHEMATIC SYMBOLS AND DEFINITIONS



Schematic

924K, 930K, and 938K Wheel Loader Electrical System

924K:
ENC1-UP
HJF1-UP

930K:
DYB1-UP
EYE1-UP

938K:
YXT1-UP
HFW1-UP

Volume 1 of 3: Cab

Volume 2 of 3: Canopy

Volume 3 of 3: Chassis and Engine

COMPONENT LOCATION

Volume 1 of 3 - Cab



Component Location					
Component	Schematic Location	Machine Location	Component	Schematic Location	Machine Location
Coil - MSS Exciter	C-3	1	Radio - Product Link	B-16	26
Column Switch AS	I-9	2	Relay - A/C Compressor	I-16	27
Control - HVAC Auto Temperature	G-3	3	Relay - Door Timer	F-16	28
Converter - 12V (7A)	E-16	4	Relay - Main Power	F-16	29
Diode - Auxiliary Work Lights	E-3	5	Resistor - A/C	D-3	30
Diode - Front Work Lights	E-3	6	Resistor - CAN Data Link	G-9	31
Display Monitor	C-3	7	Resistor - Rear Defrost	I-5	32
ECM - MSS	C-3	8	Seat ACC - ATCH	F-8	33
ECM - Product Link (321SR)	A-16	9	Sensor - Recirc Temperature	B-3	34
ECM - Product Link (522)	C-16	10	Switch - A/C Enable	F-3	35
Flasher AS	F-16	11	Switch - Auxiliary Hydraulic 1	A-6	36
Fuse / Relay / Breaker Block AS 1	H-15	12	Switch - Auxiliary Hydraulic 2	A-5	37
Fuse / Relay / Breaker Block AS 2	J-15	13	Switch - Auxiliary Work Lights	H-3	38
Ground - Front Console	H-9	14	Switch - Beacon	I-3	39
Implement Control GP (2 Function)	F-8	15	Switch - Door	I-5	40
Implement Control GP (3 Function)	F-8	16	Switch - Front Work Lights	H-3	41
Implement Control GP (4 Function)	F-8	17	Switch - Hazard	I-3	42
Instrument Cluster	H-9	18	Switch - Implement Lockout	A-4	43
Keypad GP	B-3	19	Switch - Key	A-2	44
Mini Fuse Block AS	I-15	20	Switch - Parking Brake	A-4	45
Motor - Front Wiper	G-9	21	Switch - Quick Coupler Horizontal	A-7	46
Outlet - 12V Auxiliary Power 1	D-16	22	Switch - Quick Coupler Wedge	A-7	47
Outlet - 12V Auxiliary Power 2	A-3	23	Switch - Rear Work Lights	H-3	48
Pedal GP - LH	I-9	24	Switch - Road Lights	I-3	49
Pedal GP - RH	F-9	25			

COMPONENT LOCATION

Volume 2 of 3 - Canopy



Component Location					
Component	Schematic Location	Machine Location	Component	Schematic Location	Machine Location
Alarm - Action (Canopy)	G-8	54	Relay - Main Power (Canopy)	F-14	70
Column Switch AS (Canopy)	I-7	55	Resistor - CAN Data Link (Canopy)	G-8	71
Diode - Front Work Lights (Canopy)	D-1	56	Sensor - LH Decelerate Pedal Sensor (Canopy)	I-8	72
ECM - Product Link (321SR) (Canopy)	A-14	57	Sensor - Throttle Position (Canopy)	F-8	73
ECM - Product Link (522) (Canopy)	C-14	58	Switch - Brake Pedal (Canopy)	I-8	74
Flasher AS (Canopy)	F-14	59	Switch - Front Work Lights (Canopy)	B-6	75
Fuse / Relay / Breaker Block AS 1 (Canopy)	G-13	60	Switch - Hazard (Canopy)	B-5	76
Fuse / Relay / Breaker Block AS 2 (Canopy)	J-13	61	Switch - Horn (Canopy)	G-7	77
Implement Control GP (2 Function) (Canopy)	F-7	62	Switch - Implement Lockout (Canopy)	B-1	78
Instrument Cluster (Canopy)	H-8	63	Switch - Key (Canopy)	B-3	79
Keypad GP (Canopy)	D-1	64	Switch - Parking Brake (Canopy)	B-2	80
Mini Fuse Block AS (Canopy)	I-13	65	Switch - Quick Coupler Horizontal (Canopy)	B-4	81
Motor - Front Wiper (Canopy)	G-8	66	Switch - Quick Coupler Wedge (Canopy)	B-4	82
Pedal GP - LH (Canopy)	I-8	67	Switch - Rear Work Lights (Canopy)	B-7	83
Pedal GP - RH (Canopy)	F-8	68	Switch - Road Lights (Canopy)	B-6	84
Radio - Product Link (Canopy)	B-14	69			

SchematicCat.com

COMPONENT LOCATION

Volume 3 of 3 - Chassis and Engine



Component Location					
Component	Schematic Location	Machine Location	Component	Schematic Location	Machine Location
Alarm - Backup	E-16	89	Sensor - Lift Position	H-2	145
Alternator (HD10 110A or HDB SC 150A)	F-12	90	Sensor - Louver Temperature	C-1	146
Batteries - ATCH	B-16	91	Sensor - Motor 1 Speed 1	B-5	147
Batteries - STD	H-16	92	Sensor - Motor 1 Speed 2	B-5	148
Block - Pass Through	G-15	93	Sensor - Motor 2 Speed	B-5	149
Breaker - Glow Plug	H-15	94	Sensor - NRS Intake Pressure	E-15	150
Breaker - Main Power Relay	H-15	95	Sensor - NRS Outlet Pressure NOT SHOWN	E-15	151
Breaker - Unswitched Power	G-15	96	Sensor - Parking Brake Pressure	B-8	152
Buss Bar - Breaker	H-15	97	Sensor - Primary Steering Pressure	H-8	153
Camera - Rear View	B-15	98	Sensor - Tilt Position	H-1	154
Diode - Alternator	F-12	99	Sensor - Transmission Oil Temperature	A-5	155
Diode - Cold Start Bypass	A-13	100	Sensor - Water In Fuel	F-15	156
ECM - Engine	E-12	101	Solenoid - 3rd Function LH - ATCH	I-2	157
ECM - Implement	G-2	102	Solenoid - 3rd Function RH - ATCH	I-2	158
ECM - Machine	E-3	103	Solenoid - 4th Function LH - ATCH	I-2	159
Glow Plugs	C-12	104	Solenoid - 4th Function RH - ATCH	J-2	160
Ground - Alternator	E-12	105	Solenoid - A/C Compressor	E-12	161
Ground - Battery Disconnect	G-16	106	Solenoid - Demand Fan	I-11	162
Ground - Cab Structure	J-5	107	Solenoid - Differential Lock	H-4	163
Ground - Gear Box	B-5	108	Solenoid - Extend	J-4	164
Ground - Rear Frame	H-6	109	Solenoid - Fan Brake Bypass	A-13	165
Ground - Secondary Steering Motor	H-9	110	Solenoid - Fuel Pump Control Valve	E-15	166
Ground - Starter	F-11	111	Solenoid - Gear Box Clutch	B-5	167
Horn - Forward	J-2	112	Solenoid - Hydraulic Pilot Shutoff	I-2	168
Injectors	B-14	113	Solenoid - Hydrostatic Forward	E-9	169
Motor - Blower	C-1	114	Solenoid - Hydrostatic Motor Displacement 1	A-5	170
Motor - Front Washer	J-9	115	Solenoid - Hydrostatic Motor Displacement 2	A-5	171
Motor - Fuel Priming Pump	G-15	116	Solenoid - Hydrostatic Pump Disable Dump	E-9	172
Motor - Pre-Filter	B-1	117	Solenoid - Hydrostatic Reverse	E-9	173
Motor - Rear Washer	J-9	118	Solenoid - Lift Cylinder Lower	I-2	174
Motor - Secondary Steering	H-9	119	Solenoid - Lift Cylinder Raise	I-2	175
Motor - Starter	F-12	120	Solenoid - Load Sense	J-4	176
Post - Jump (NEG)	G-16	121	Solenoid - Parking Brake	B-8	177
Post - Jump (POS)	G-15	122	Solenoid - Retract	J-4	178
Relay - Cold Start Bypass	B-15	123	Solenoid - Reversing Fan	I-11	179
Relay - Glow Plug	H-15	124	Solenoid - Ride Control - ATCH	J-2	180
Relay - Secondary Steering	H-9	125	Solenoid - Starting Aid	D-9	181
Resistor - A/C Switch	F-3	126	Solenoid - Tilt Cylinder Dump	I-2	182
Resistor - Alternator	F-11	127	Solenoid - Tilt Cylinder Rack	I-2	183
Resistor - CAN Data Link	C-12	128	Solenoid - Waste Gate Control	D-15	184
Resistor - Motor 1 A	E-3	129	Suppressor - Comp Clutch NOT SHOWN	E-12	185
Resistor - Motor 1 B	F-3	130	Suppressor - Fuel Level Sender	I-11	186
Resistor - Motor 2	G-3	131	Suppressor - Quick Coupler 1	J-4	187
Sender - Fuel Level	H-11	132	Suppressor - Quick Coupler 2	J-4	188
Sensor - Brake Charge	C-12	133	Suppressor - Ride Control	J-2	189
Sensor - Cam Speed	D-15	134	Suppressor - Secondary Steering	H-9	190
Sensor - Crank Speed	D-15	135	Switch - A/C High Pressure	G-9	191
Sensor - Engine Coolant Temperature	D-15	136	Switch - A/C Low Pressure Switch - ATCH	C-7	192
Sensor - Evap Core Temperature	C-1	137	Switch - Air Inlet Restriction	F-15	193
Sensor - Hydraulic Oil Temperature	J-8	138	Switch - Battery Disconnect	G-16	194
Sensor - Hydrostatic Pump Forward Press	D-9	139	Switch - Gear Box Oil Filter Bypass Press	B-5	195
Sensor - Hydrostatic Pump Reverse Press	D-9	140	Switch - Ground Level Shutdown	J-9	196
Sensor - Implement Pump Pressure	H-2	141	Switch - Hydrostatic Filter Bypass Pressure	C-5	197
Sensor - Inlet Air Temperature	F-15	142	Valve - Quick Coupler - ATCH	J-4	198
Sensor - Intake Manifold Air Pressure	C-15	143	Valve - Water	C-1	199
Sensor - Intake Manifold Air Temperature	D-15	144			

CONNECTOR LOCATION

Volume 1 of 3 - Cab



Connector Location	
Connector Number	Schematic Location
CONN 1 - Data Link Service Connector	E-16
CONN 2	D-14
CONN 3	A-14,B-14
CONN 4	E-9
CONN 5	E-9
CONN 6	H-9
CONN 7	F-6
CONN 8	F-6
CONN 9	E-6
CONN 10	E-6
CONN 11 - Spare Power	B-3
CONN 12	B-3
CONN 13	B-3
CONN 14	C-3
CONN 15	D-3
CONN 16 - Spare Power	F-3

The connectors shown in this chart are for harness to harness connectors. Connectors that join a harness to a component are generally located at or near the component. See the Component Location Chart.

SchematicCat.com

CONNECTOR LOCATION

Volume 2 of 3 - Canopy



Connector Location	
Connector Number	Schematic Location
CONN 2	D-12
CONN 8	E-3
CONN 21 - Data Link Service Connector	E-14
CONN 22	B-12, A-12
CONN 23	E-8
CONN 24	E-8
CONN 25	E-3
CONN 26 - Spare Power	D-1

The connectors shown in this chart are for harness to harness connectors. Connectors that join a harness to a component are generally located at or near the component. See the Component Location Chart.

SchematicCat.com

CONNECTOR LOCATION

Volume 3 of 3 - Chassis and Engine



Connector Location	
Connector Number	Schematic Location
CONN 2	B-4
CONN 8	D-2
CONN 12 NOT SHOWN	A-14
CONN 13 NOT SHOWN	B-14
CONN 32 - Spare Connection For Reverse Light	H-16
CONN 33	E-16, J-6
CONN 34	I-14
CONN 35	C-14
CONN 36	C-14
CONN 37	B-14
CONN 38	A-12
CONN 39	E-11
CONN 40	E-9
CONN 41	F-9
CONN 42	F-9
CONN 43	J-8
CONN 44	I-8
CONN 45	H-8
CONN 46	G-8
CONN 47	B-7
CONN 48	B-7
CONN 49	J-3
CONN 50 - Spare Power	I-4
CONN 51	H-4
CONN 52	H-4
CONN 53	G-4
CONN 54	J-2
CONN 55	H-2
CONN 56	H-2
CONN 57	C-2
CONN 58	B-2
CONN 59 - Auxiliary Hydraulic Connection	H-1

The connectors shown in this chart are for harness to harness connectors. Connectors that join a harness to a component are generally located at or near the component. See the Component Location Chart.

Component Identifiers (CID) ¹	
Module Identifier (MID ²)	
Machine System (MID No. 39)	
CID	Component
0041	8 VDC Supply
0070	Parking Brake Switch
0133	Transmission Pilot Pressure Supply Solenoid
0168	24 VDC Electrical System Voltage
0177	Transmission Oil Temperature Sensor
0242	5 VDC Sensor Power Supply
0247	SAE J1939 Data Link
0248	Cat Data Link
0262	5 VDC Sensor Power Supply
0350	Lift Linkage Position Sensor
0351	Tilt Linkage Position Sensor
0352	Lift Lever Sensor
0353	Tilt Lever Sensor
0354	Raise Solenoid #1
0355	Lower Solenoid #1
0356	Dump Solenoid #1
0357	Rackback Solenoid #1
0358	Implement Pilot Pressure Supply Solenoid
0420	Secondary Steering Intermediate Relay
0444	Starter Motor Relay
0487	Third Lever Position Sensor
0488	Fourth Lever Position Sensor
0490	Implement Lockout Switch
0491	Third Function Forward Solenoid
0492	Third Function Rearward Solenoid
0493	Fourth Function Forward Solenoid
0494	Fourth Function Rearward Solenoid
0590	Engine Control Module
0681	Parking Brake Solenoid
0740	Differential Lock Solenoid
0779	Cab Air Temperature Sensor
0811	Gauge Cluster #1
0967	Machine Application
1195	Hydraulic Filter Bypass Switch
1401	Transmission Solenoid 1
1482	10 VDC Sensor Power Supply
1529	Quick Coupler Switch
1530	Quick Coupler Solenoid
1558	Electronic Implement Control #2
1674	Solenoid Return #1
1960	Ignition Key Reader
2292	Quick Steering Solenoid
2300	Switch Panel
2305	Brake/Decelerator Pedal Position Sensor
2357	Air Conditioner Evaporator Coil Temperature Sensor
2470	Primary Steering Pressure Sensor
2659	Cab Air Temperature Control Switch
2661	Cab Air Temperature Control
2663	Cab Ventilation Duct Temperature Sensor
2730	Drive Pump Forward Control Solenoid
2731	Drive Pump Reverse Control Solenoid
2811	Cab Blower Speed Control
2976	Parking Brake Oil Pressure Sensor
2987	Brake Charge Pressure Sensor #1
2993	Direction Selector Position Sensor #1
2994	Direction Selector Position Sensor #2
3527	Direction Selector
3561	Drive Circuit Forward Pressure Sensor
3562	Drive Circuit Reverse Pressure Sensor
3563	Drive Motor #1 Solenoid
3564	Drive Motor #2 Solenoid
3565	Transmission Input #1 Speed #1 Sensor
3566	Transmission Input #1 Speed #2 Sensor
3654	Implement Pump Pressure Sensor
3750	Transmission Input #2 speed Sensor

Failure Mode Identifiers (FMI) ¹	
FMI No.	Failure Description
0	Data valid but above normal operational range.
1	Data valid but below normal operational range.
2	Data erratic, intermittent, or incorrect.
3	Voltage above normal or shorted high.
4	Voltage below normal or shorted low.
5	Current below normal or open circuit.
6	Current above normal or grounded circuit.
7	Mechanical system not responding properly.
8	Abnormal frequency, pulse width, or period.
9	Abnormal update.
10	Abnormal rate of change.
11	Failure mode not identifiable.
12	Bad device or component.
13	Out of calibration.
14	Parameter failures.
15	Parameter failures.
16	Parameter not available.
17	Module not responding.
18	Sensor supply fault.
19	Condition not met.
20	Parameter failures.

¹The FMI is a diagnostic code that indicates what type of failure has occurred.

¹ The CID is a diagnostic code that indicates which circuit is faulty.

² The MID is a diagnostic code that indicates which electronic control module diagnosed the fault.

CID / MID / FMI

Volume 2 of 3 - Canopy



Component Identifiers (CID) ¹	
Module Identifier (MID ²)	
Machine System	
(MID No. 39)	
CID	Component
0041	8 VDC Supply
0070	Parking Brake Switch
0133	Transmission Pilot Pressure Supply Solenoid
0168	24 VDC Electrical System Voltage
0177	Transmission Oil Temperature Sensor
0242	5 VDC Sensor Power Supply
0247	SAE J1939 Data Link
0248	Cat Data Link
0262	5 VDC Sensor Power Supply
0350	Lift Linkage Position Sensor
0351	Tilt Linkage Position Sensor
0352	Lift Lever Sensor
0353	Tilt Lever Sensor
0354	Raise Solenoid #1
0355	Lower Solenoid #1
0356	Dump Solenoid #1
0357	Rackback Solenoid #1
0358	Implement Pilot Pressure Supply Solenoid
0420	Secondary Steering Intermediate Relay
0444	Starter Motor Relay
0487	Third Lever Position Sensor
0488	Fourth Lever Position Sensor
0490	Implement Lockout Switch
0491	Third Function Forward Solenoid
0492	Third Function Rearward Solenoid
0493	Fourth Function Forward Solenoid
0494	Fourth Function Rearward Solenoid
0590	Engine Control Module
0681	Parking Brake Solenoid
0740	Differential Lock Solenoid
0779	Cab Air Temperature Sensor
0811	Gauge Cluster #1
0967	Machine Application
1195	Hydraulic Filter Bypass Switch
1401	Transmission Solenoid 1
1482	10 VDC Sensor Power Supply
1529	Quick Coupler Switch
1530	Quick Coupler Solenoid
1558	Electronic Implement Control #2
1674	Solenoid Return #1
1960	Ignition Key Reader
2292	Quick Steering Solenoid
2300	Switch Panel
2305	Brake/Decelerator Pedal Position Sensor
2357	Air Conditioner Evaporator Coil Temperature Sensor
2470	Primary Steering Pressure Sensor
2659	Cab Air Temperature Control Switch
2661	Cab Air Temperature Control
2663	Cab Ventilation Duct Temperature Sensor
2730	Drive Pump Forward Control Solenoid
2731	Drive Pump Reverse Control Solenoid
2811	Cab Blower Speed Control
2976	Parking Brake Oil Pressure Sensor
2987	Brake Charge Pressure Sensor #1
2993	Direction Selector Position Sensor #1
2994	Direction Selector Position Sensor #2
3527	Direction Selector
3561	Drive Circuit Forward Pressure Sensor
3562	Drive Circuit Reverse Pressure Sensor
3563	Drive Motor #1 Solenoid
3564	Drive Motor #2 Solenoid
3565	Transmission Input #1 Speed #1 Sensor
3566	Transmission Input #1 Speed #2 Sensor
3654	Implement Pump Pressure Sensor
3750	Transmission Input #2 speed Sensor

Failure Mode Identifiers (FMI) ¹	
FMI No.	Failure Description
0	Data valid but above normal operational range.
1	Data valid but below normal operational range.
2	Data erratic, intermittent, or incorrect.
3	Voltage above normal or shorted high.
4	Voltage below normal or shorted low.
5	Current below normal or open circuit.
6	Current above normal or grounded circuit.
7	Mechanical system not responding properly.
8	Abnormal frequency, pulse width, or period.
9	Abnormal update.
10	Abnormal rate of change.
11	Failure mode not identifiable.
12	Bad device or component.
13	Out of calibration.
14	Parameter failures.
15	Parameter failures.
16	Parameter not available.
17	Module not responding.
18	Sensor supply fault.
19	Condition not met.
20	Parameter failures.

¹The FMI is a diagnostic code that indicates what type of failure has occurred.

¹ The CID is a diagnostic code that indicates which circuit is faulty.

² The MID is a diagnostic code that indicates which electronic control module diagnosed the fault.

Failure Mode Identifiers (FMI)¹	
FMI No.	Failure Description
0	Data valid but above normal operational range.
1	Data valid but below normal operational range.
2	Data erratic, intermittent, or incorrect.
3	Voltage above normal or shorted high.
4	Voltage below normal or shorted low.
5	Current below normal or open circuit.
6	Current above normal or grounded circuit.
7	Mechanical system not responding properly.
8	Abnormal frequency, pulse width, or period.
9	Abnormal update.
10	Abnormal rate of change.
11	Failure mode not identifiable.
12	Bad device or component.
13	Out of calibration.
14	Parameter failures.
15	Parameter failures.
16	Parameter not available.
17	Module not responding.
18	Sensor supply fault.
19	Condition not met.
20	Parameter failures.

¹The FMI is a diagnostic code that indicates what type of failure has occurred.

SchematicCat.com

SPECIFICATIONS AND RELATED MANUALS

Volume 1 of 3 - Cab



Related Electrical Service Manuals	
Title	Form Number
Cross Reference for Electrical Connectors:	REHS0970
Alternator: 272-1889 (150A)	SENR4130
Machine Control:	UENR0289

SchematicCat.com

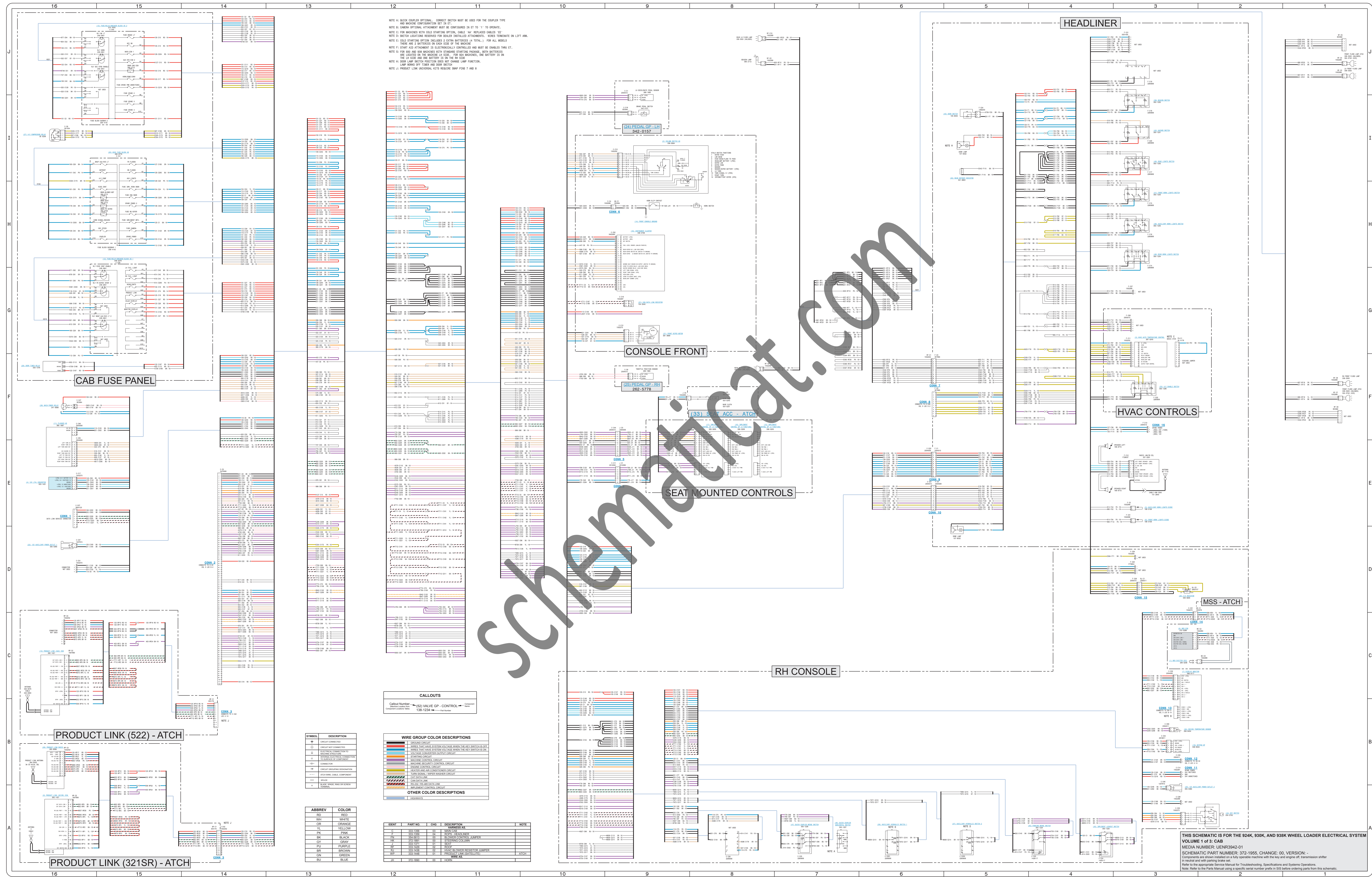
SPECIFICATIONS AND RELATED MANUALS

Volume 2 of 3 - Canopy



Related Electrical Service Manuals	
Title	Form Number
Cross Reference for Electrical Connectors:	REHS0970
Alternator: 272-1889 (150A)	SENR4130
Machine Control:	UENR0289

SchematicCat.com



CALLOUTS

Callout Number: 158-1254 GP - CONTROL

WIRE GROUP COLOR DESCRIPTIONS

- RED: BATTERY POSITIVE
- BLACK: BATTERY NEGATIVE
- GREEN: BATTERY POSITIVE (24V)
- ORANGE: BATTERY NEGATIVE (24V)
- YELLOW: BATTERY POSITIVE (12V)
- WHITE: BATTERY NEGATIVE (12V)
- PINK: BATTERY POSITIVE (6V)
- BLACK: BATTERY NEGATIVE (6V)
- GRAY: BATTERY POSITIVE (3V)
- PURPLE: BATTERY NEGATIVE (3V)
- BROWN: BATTERY POSITIVE (1.5V)
- GREEN: BATTERY NEGATIVE (1.5V)
- BLUE: BATTERY POSITIVE (0.75V)
- RED: BATTERY NEGATIVE (0.75V)

OTHER COLOR DESCRIPTIONS

- RED: BATTERY POSITIVE
- BLACK: BATTERY NEGATIVE
- GREEN: BATTERY POSITIVE (24V)
- ORANGE: BATTERY NEGATIVE (24V)
- YELLOW: BATTERY POSITIVE (12V)
- WHITE: BATTERY NEGATIVE (12V)
- PINK: BATTERY POSITIVE (6V)
- BLACK: BATTERY NEGATIVE (6V)
- GRAY: BATTERY POSITIVE (3V)
- PURPLE: BATTERY NEGATIVE (3V)
- BROWN: BATTERY POSITIVE (1.5V)
- GREEN: BATTERY NEGATIVE (1.5V)
- BLUE: BATTERY POSITIVE (0.75V)
- RED: BATTERY NEGATIVE (0.75V)

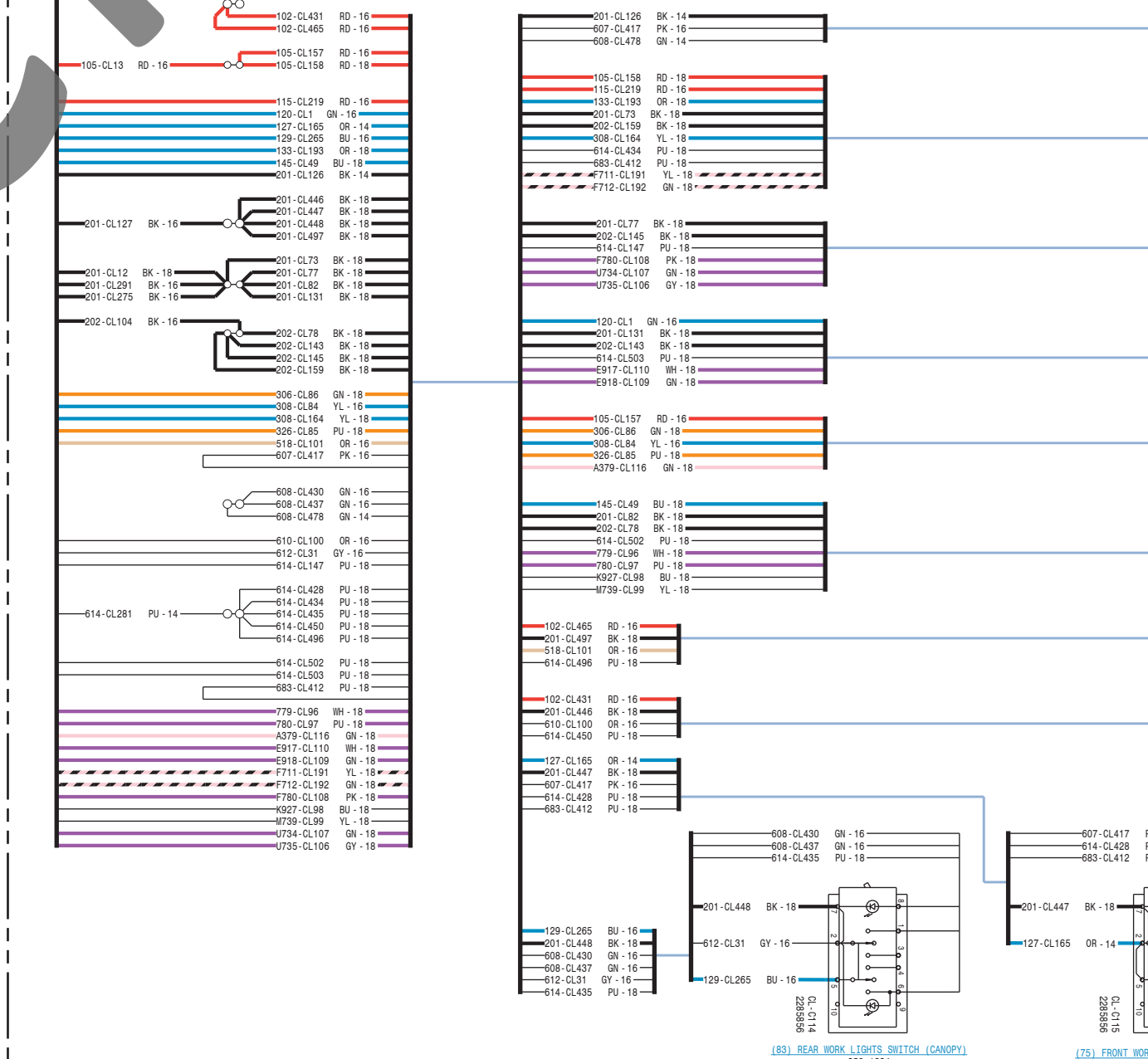
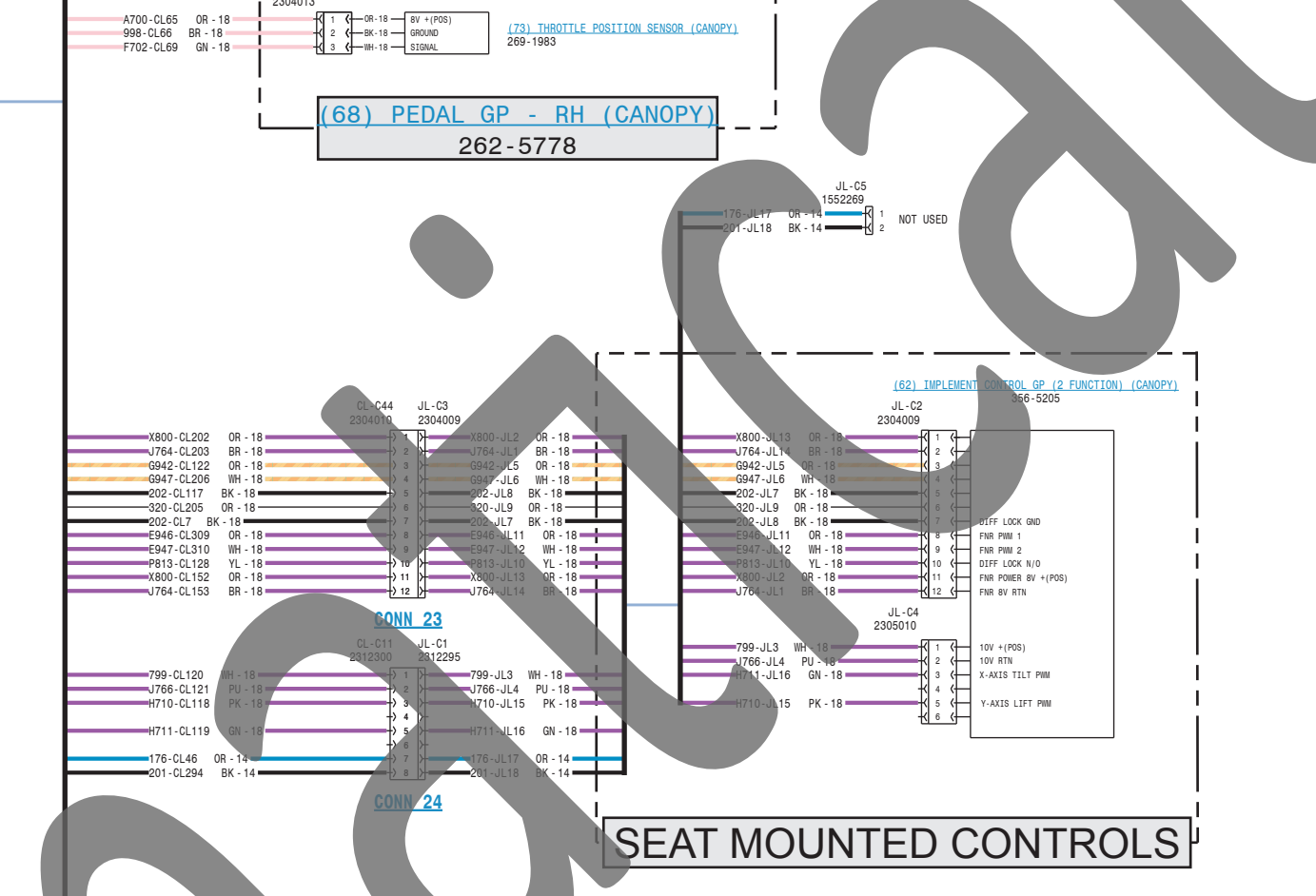
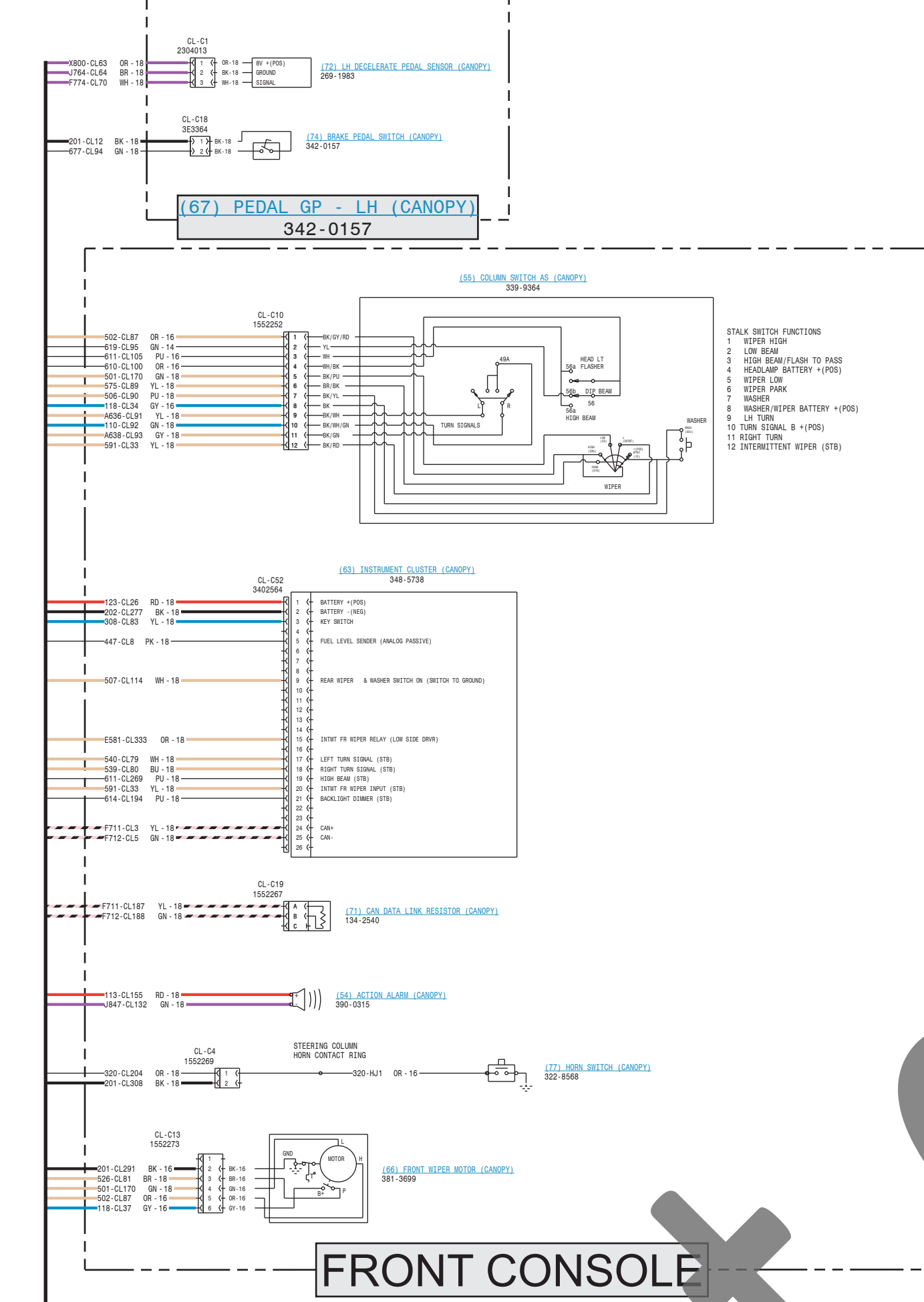
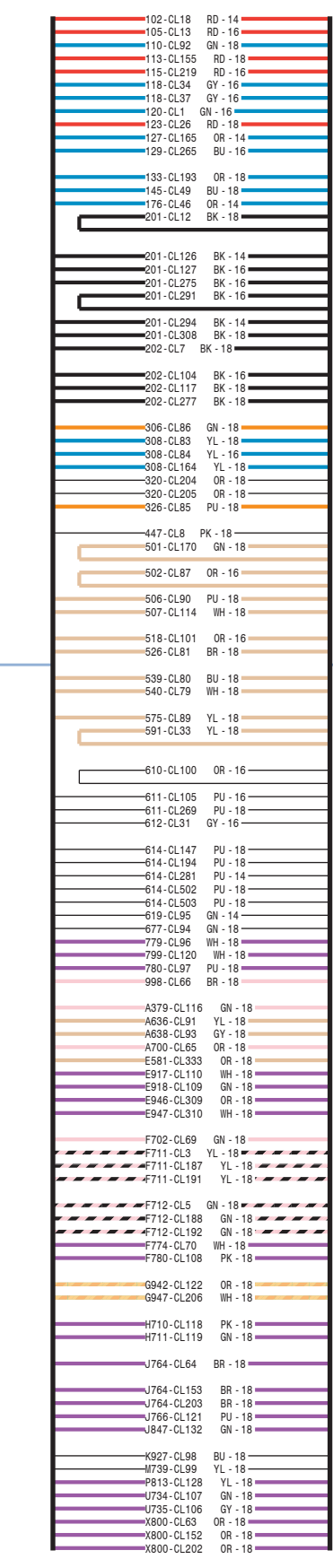
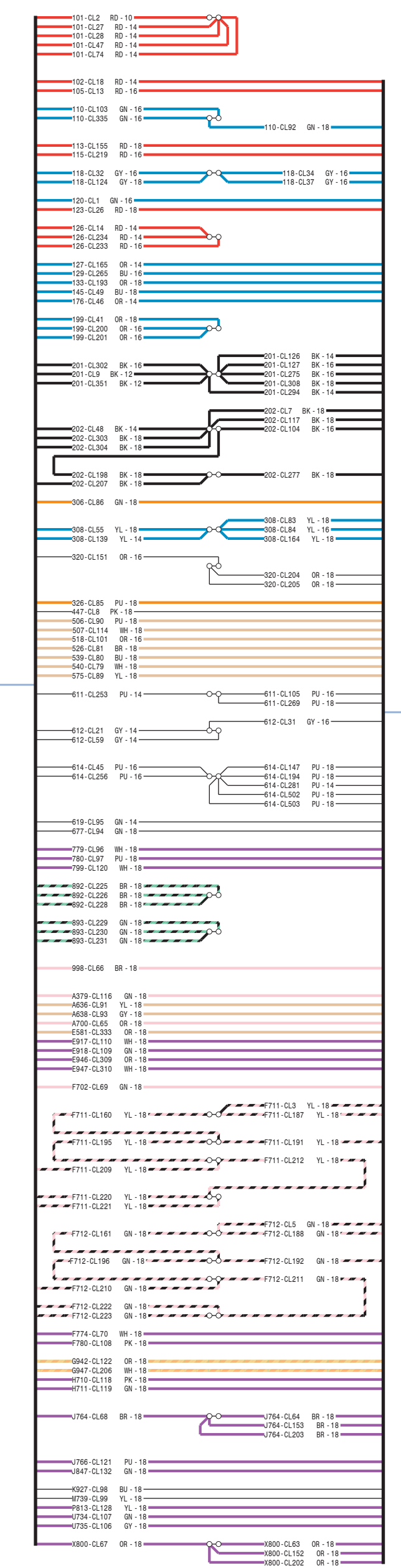
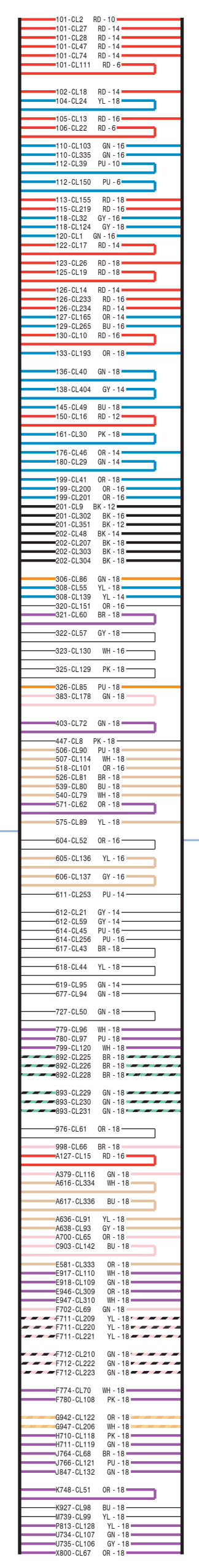
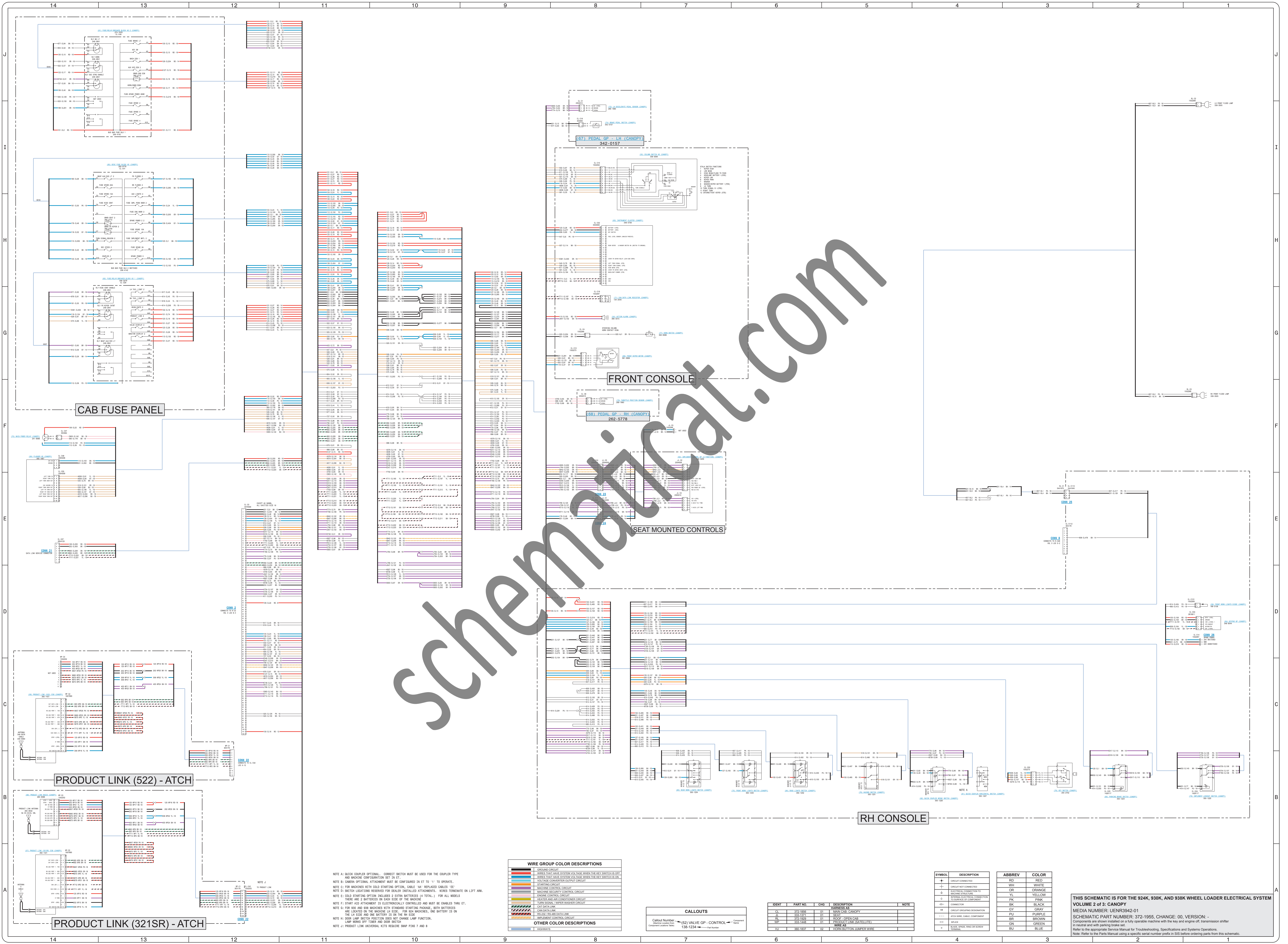
ABBREV COLOR

RED	RED
WH	WHITE
GR	GRANITE
YL	YELLOW
PK	PINK
BLK	BLACK
GRY	GRAY
PLU	PURPLE
BRN	BROWN
GRN	GREEN
BLU	BLUE

IDENT PART NO. QTY DESCRIPTION NOTE

0	321102	02	WIRING HARNESS	
1	321103	02	WIRING HARNESS	
2	321104	02	WIRING HARNESS	
3	321105	02	WIRING HARNESS	
4	321106	02	WIRING HARNESS	
5	321107	02	WIRING HARNESS	
6	321108	02	WIRING HARNESS	
7	321109	02	WIRING HARNESS	
8	321110	02	WIRING HARNESS	
9	321111	02	WIRING HARNESS	
10	321112	02	WIRING HARNESS	
11	321113	02	WIRING HARNESS	
12	321114	02	WIRING HARNESS	
13	321115	02	WIRING HARNESS	
14	321116	02	WIRING HARNESS	
15	321117	02	WIRING HARNESS	
16	321118	02	WIRING HARNESS	

THIS SCHEMATIC IS FOR THE 924K, 930K, AND 936K WHEEL LOADER ELECTRICAL SYSTEM
VOLUME 1 of 3 CAB
MEDIA NUMBER: UENR3942-01
SCHEMATIC PART NUMBER: 372-1955. CHANGE: 00. VERSION: -
Consumers are shown installed in a fully equipped machine with the key and engine off, transmission in neutral and with parking brake set.
Refer to the appropriate Service Manual for Troubleshooting, Specifications and Systems Operations.
Note: Refer to the Parts Manual using a specific serial number prefix in SSI before ordering parts from this schematic.



CAB FUSE PANEL

FRONT CONSOLE

SEAT MOUNTED CONTROLS

RH CONSOLE

PRODUCT LINK (522) - ATCH

PRODUCT LINK (321SR) - ATCH

WIRE GROUP COLOR DESCRIPTIONS

[Symbol]	GROUND CIRCUIT
[Symbol]	WIRING THAT HAVE SYSTEM VOLTAGE WHEN THE KEY SWITCH IS OFF
[Symbol]	WIRING THAT HAVE SYSTEM VOLTAGE WHEN THE KEY SWITCH IS ON
[Symbol]	STARTING CIRCUIT
[Symbol]	STARTING CIRCUIT OUTPUT CIRCUIT
[Symbol]	MACHINE CIRCUIT
[Symbol]	MACHINE SECURITY CIRCUIT
[Symbol]	PRELUBE CIRCUIT
[Symbol]	HEATER AND AIR CONDITIONER CIRCUIT
[Symbol]	TRUCK SIGNAL SYSTEM CIRCUIT
[Symbol]	CAT DATA LINK
[Symbol]	RS-232 (SERIAL) DATA LINK
[Symbol]	COMMUNICATIONS CONTROL CIRCUIT
[Symbol]	OTHER COLOR DESCRIPTIONS
[Symbol]	HOVSWAYS

CALLOUTS

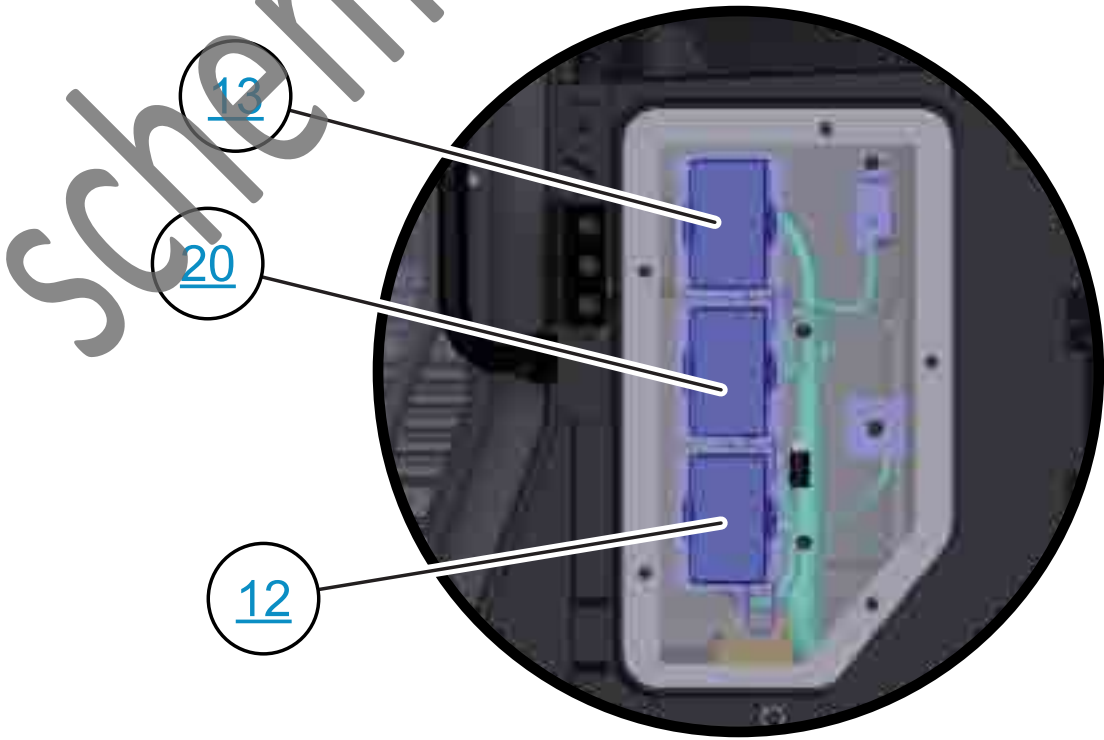
Callout Number	(S2) VALVE GP - CONTROL	Component
Component Number	138-1234	Part Number

IDENT	PART NO	CHG	DESCRIPTION	NOTE
13	331-3300	01	MULTI-USE CANOPY	
14	331-3300	01	SEAL	
15	331-3300	01	SEAL	
16	331-3300	01	SEAL	
17	331-3300	01	SEAL	
18	331-3300	01	SEAL	
19	331-3300	01	SEAL	
20	331-3300	01	SEAL	
21	331-3300	01	SEAL	
22	331-3300	01	SEAL	
23	331-3300	01	SEAL	
24	331-3300	01	SEAL	
25	331-3300	01	SEAL	
26	331-3300	01	SEAL	
27	331-3300	01	SEAL	
28	331-3300	01	SEAL	
29	331-3300	01	SEAL	
30	331-3300	01	SEAL	
31	331-3300	01	SEAL	
32	331-3300	01	SEAL	
33	331-3300	01	SEAL	
34	331-3300	01	SEAL	
35	331-3300	01	SEAL	
36	331-3300	01	SEAL	
37	331-3300	01	SEAL	
38	331-3300	01	SEAL	
39	331-3300	01	SEAL	
40	331-3300	01	SEAL	
41	331-3300	01	SEAL	
42	331-3300	01	SEAL	
43	331-3300	01	SEAL	
44	331-3300	01	SEAL	
45	331-3300	01	SEAL	
46	331-3300	01	SEAL	
47	331-3300	01	SEAL	
48	331-3300	01	SEAL	
49	331-3300	01	SEAL	
50	331-3300	01	SEAL	

SYMBOL	DESCRIPTION	ABBREV	COLOR
[Symbol]	GROUND CIRCUIT	GRD	YELLOW
[Symbol]	CIRCUIT NOT CONNECTED	WNC	WHITE
[Symbol]	ELECTRICAL CONNECTION TO MACHINE STRUCTURE	CMR	ORANGE
[Symbol]	ELECTRICAL CONNECTION TO MACHINE STRUCTURE	YSC	YELLOW
[Symbol]	CONNECTION	CON	BLACK
[Symbol]	CONNECTION	GRY	GRAY
[Symbol]	CONNECTION	PU	PURPLE
[Symbol]	CONNECTION	BR	BROWN
[Symbol]	CONNECTION	GRN	GREEN
[Symbol]	CONNECTION	BLU	BLUE

THIS SCHEMATIC IS FOR THE 924K, 930K, AND 938K WHEEL LOADER ELECTRICAL SYSTEM
VOLUME 2 of 3: CANOPY
MEDIA NUMBER: UENR3942.01
SCHEMATIC PART NUMBER: 372-1955, CHANGE: 00, VERSION: 1
Components are shown installed on a fully operable machine with the key and engine off, transmission shifter in neutral and with parking brake set.
Refer to the appropriate Service Manual for Troubleshooting, Specifications and Systems Operations.
Note: Refer to the Parts Manual using a specific serial number prefix in SID before ordering parts from this schematic.

FUSE PANEL VIEW



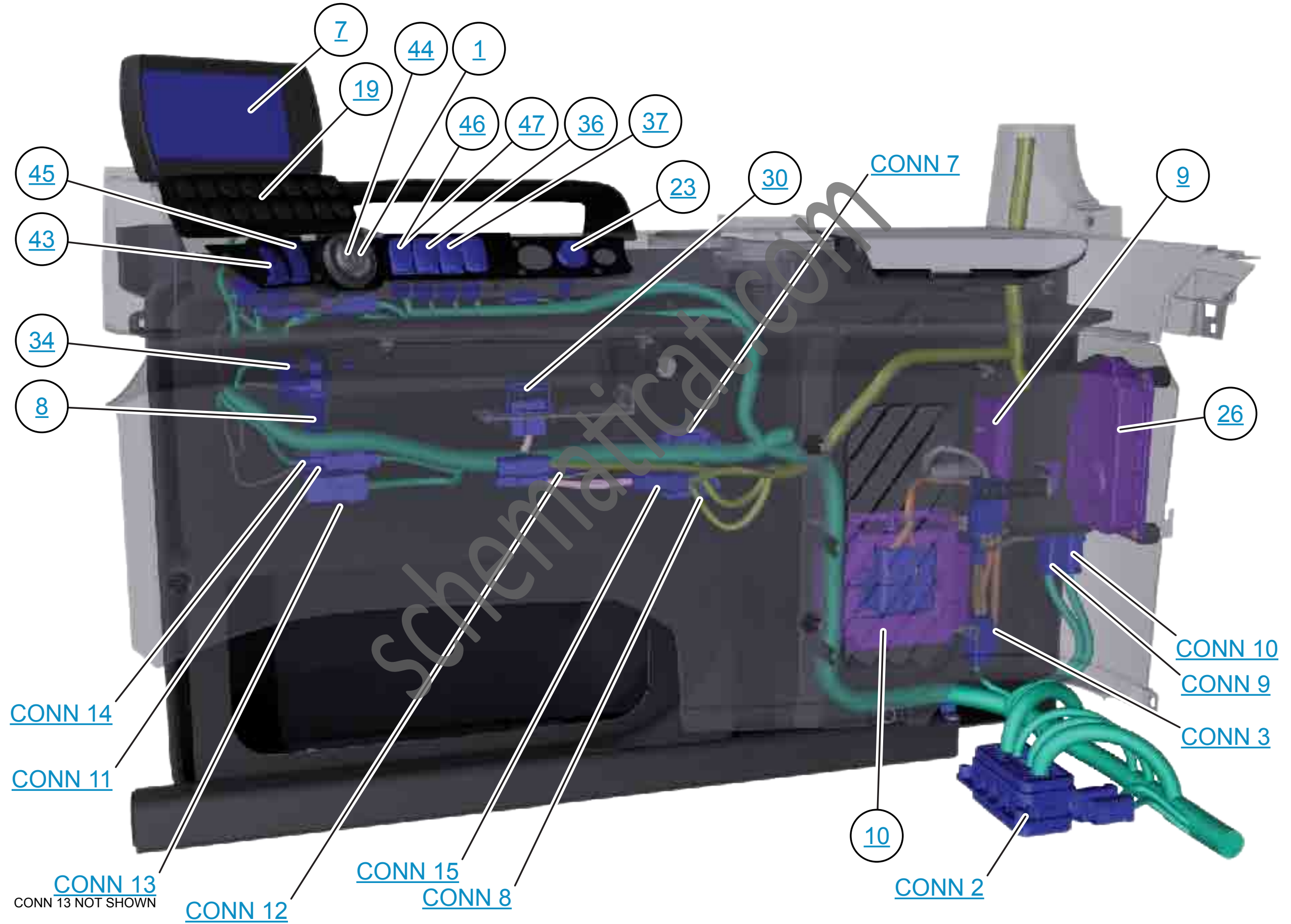
VIEW OF AREA "A"





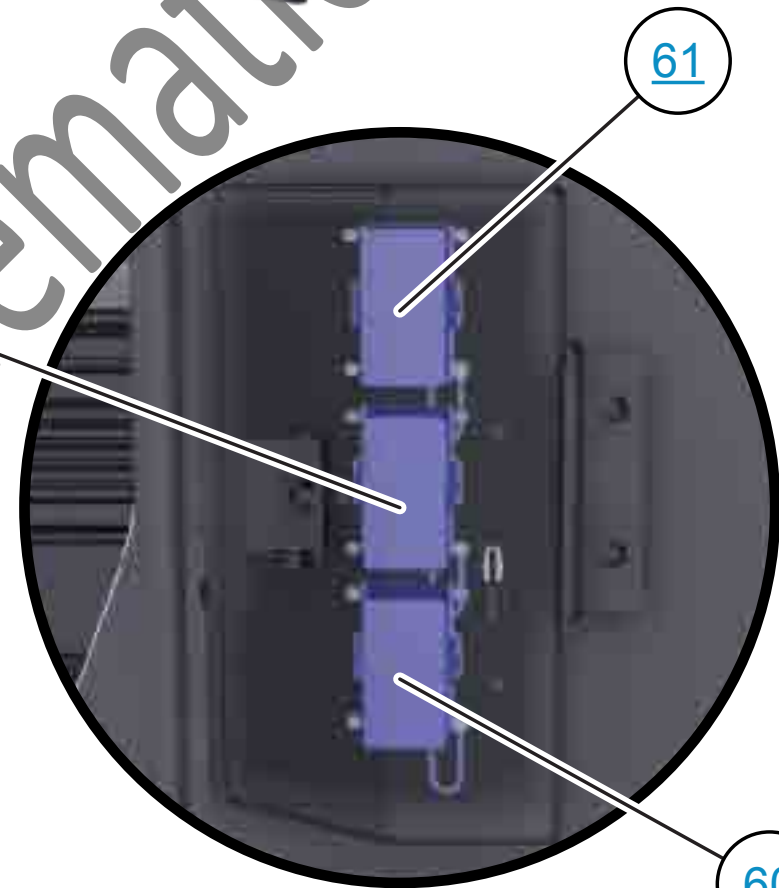
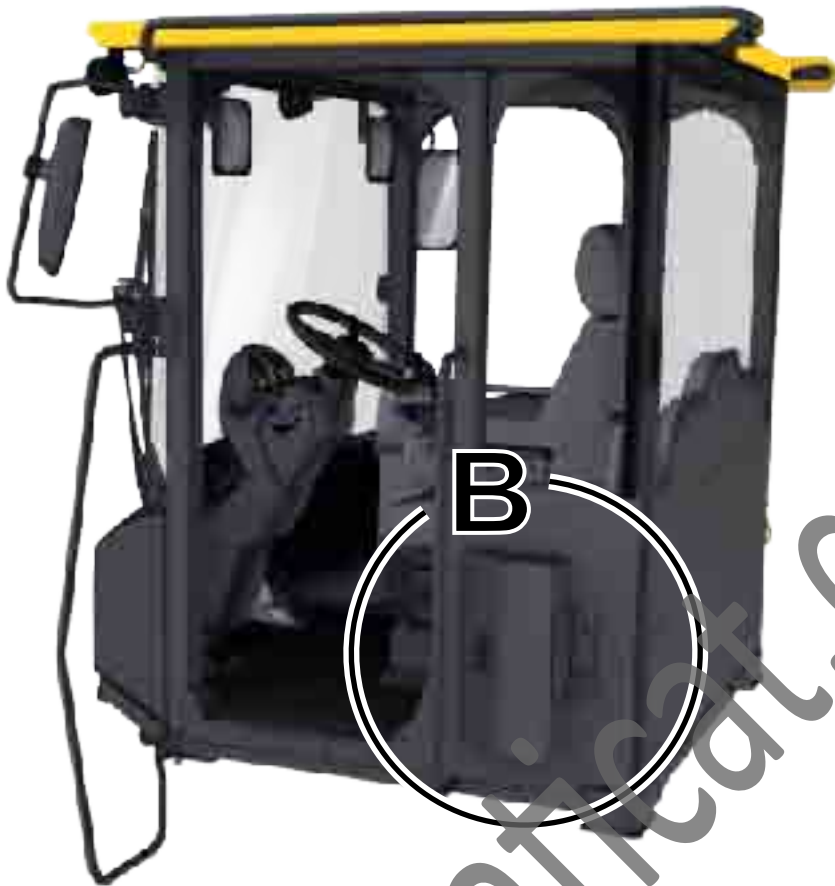
CAB REAR INTERIOR VIEW





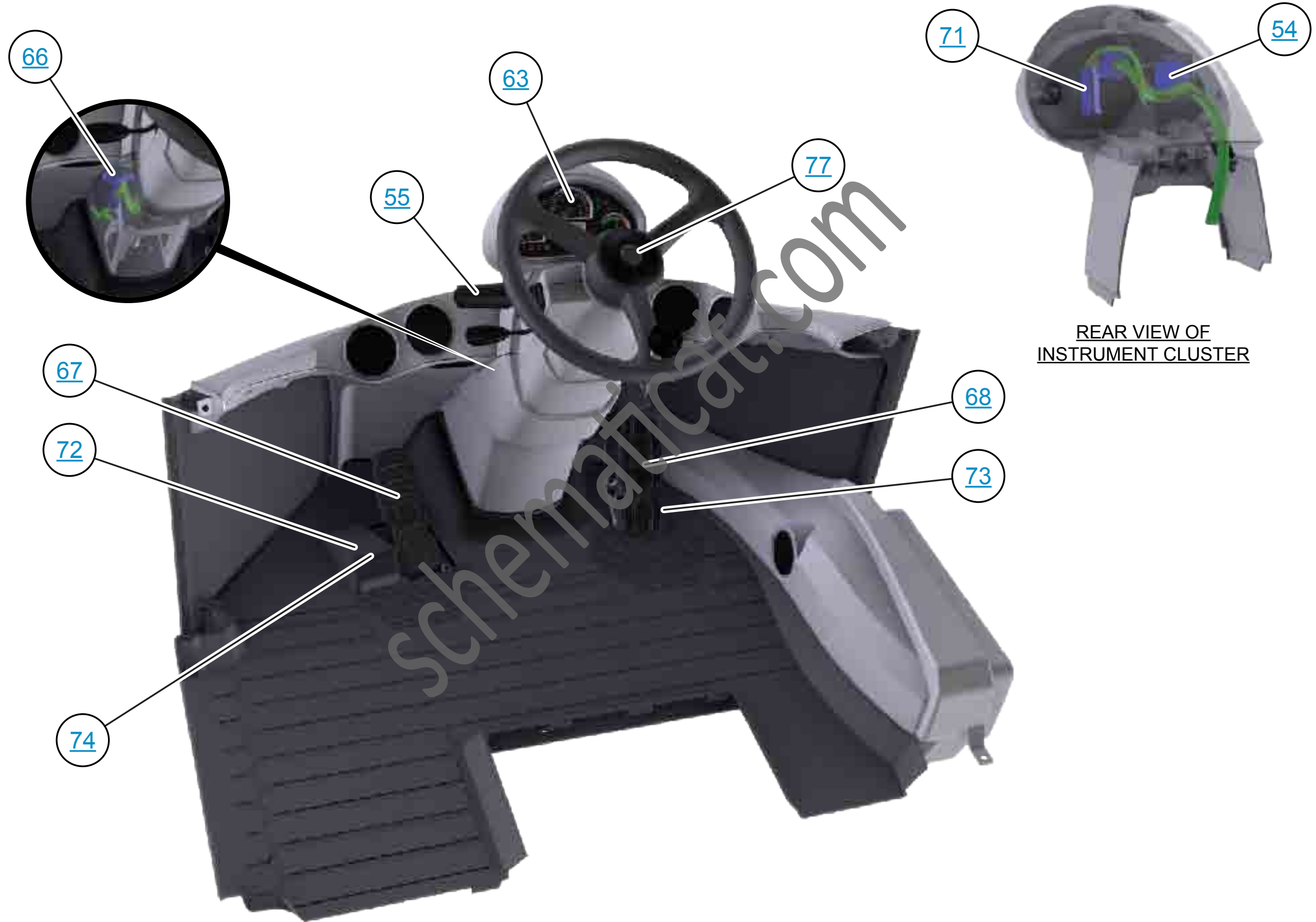
OPERATOR SEAT VIEW





VIEW OF AREA "B"





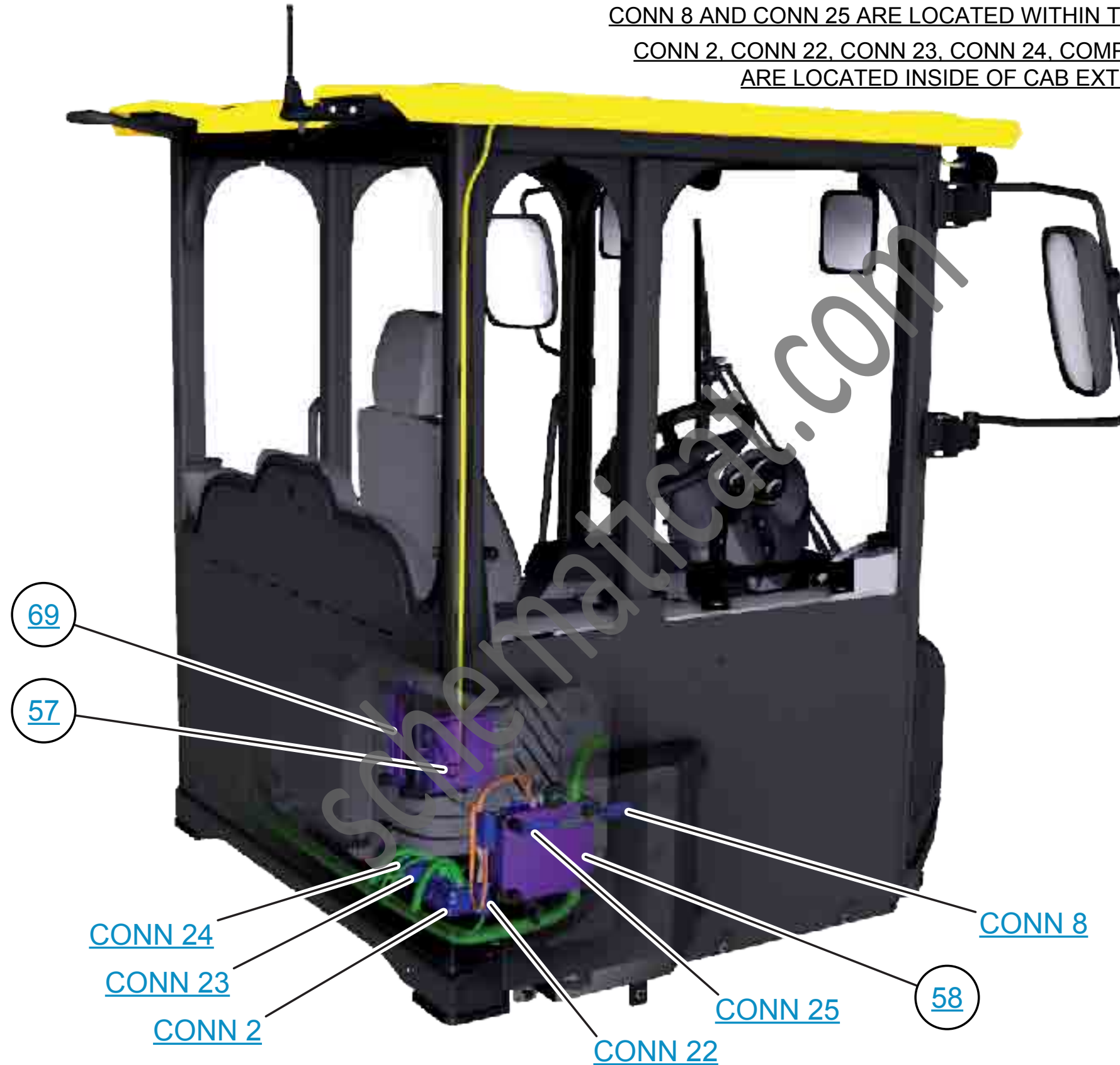
schemat1Cat.com



CONN 23 AND CONN 24 ARE ALSO REFERENCED IN RH REAR CAB VIEW GRAPHIC

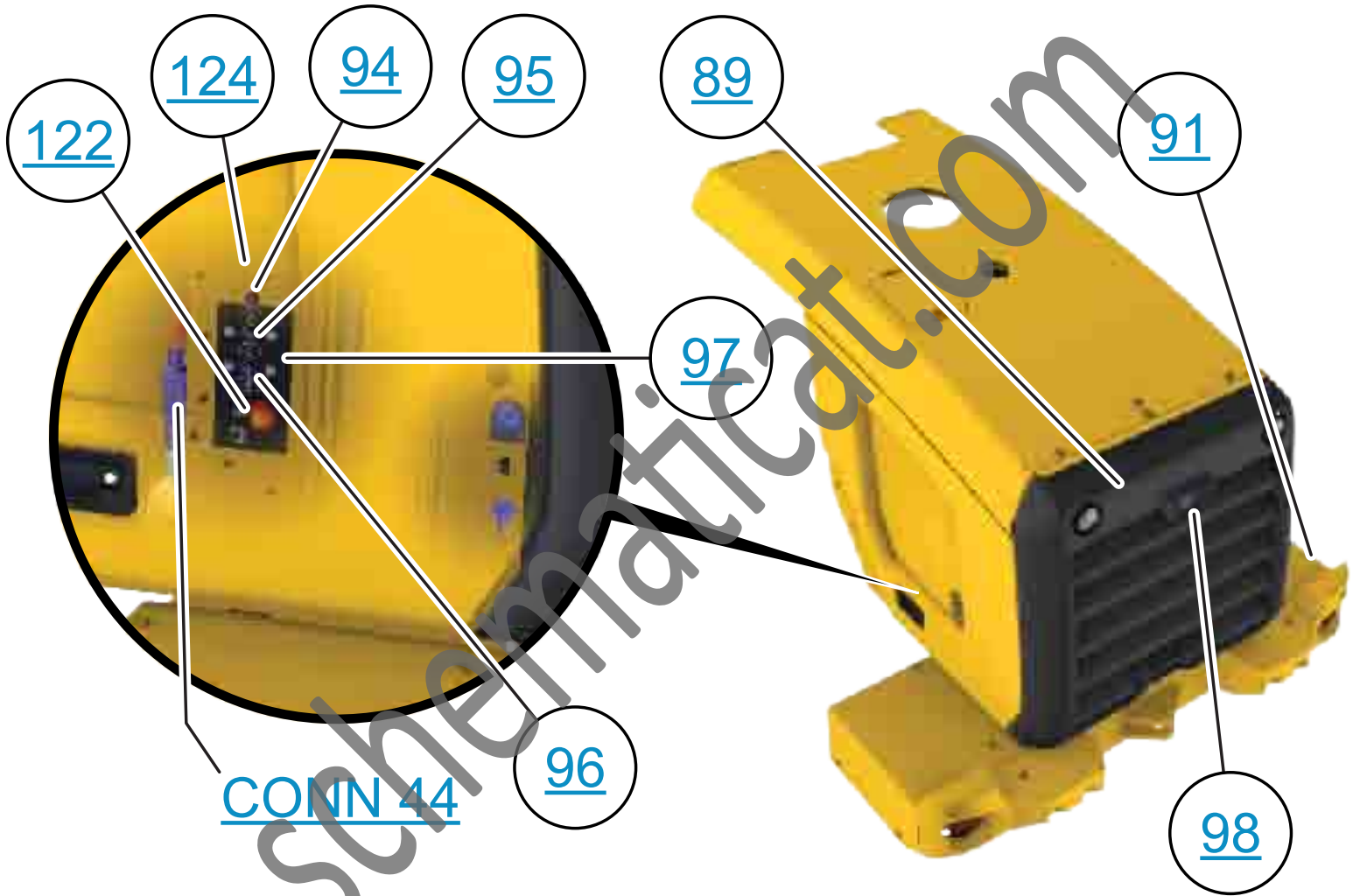


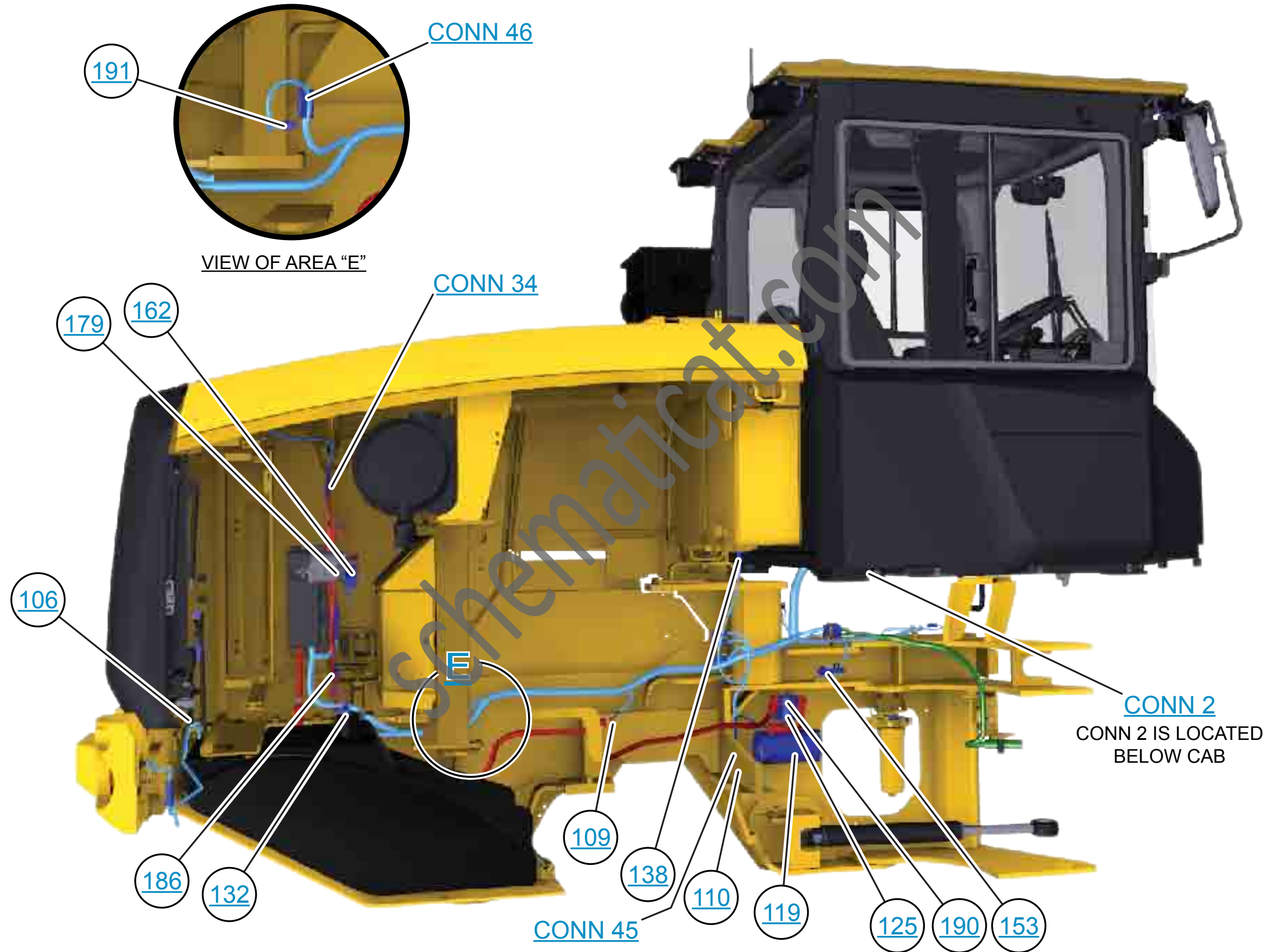
CONN 8 AND CONN 25 ARE LOCATED WITHIN THE ECM COMPARTMENT
CONN 2, CONN 22, CONN 23, CONN 24, COMPONENT 57, 58, AND 69
ARE LOCATED INSIDE OF CAB EXTERIOR WALL



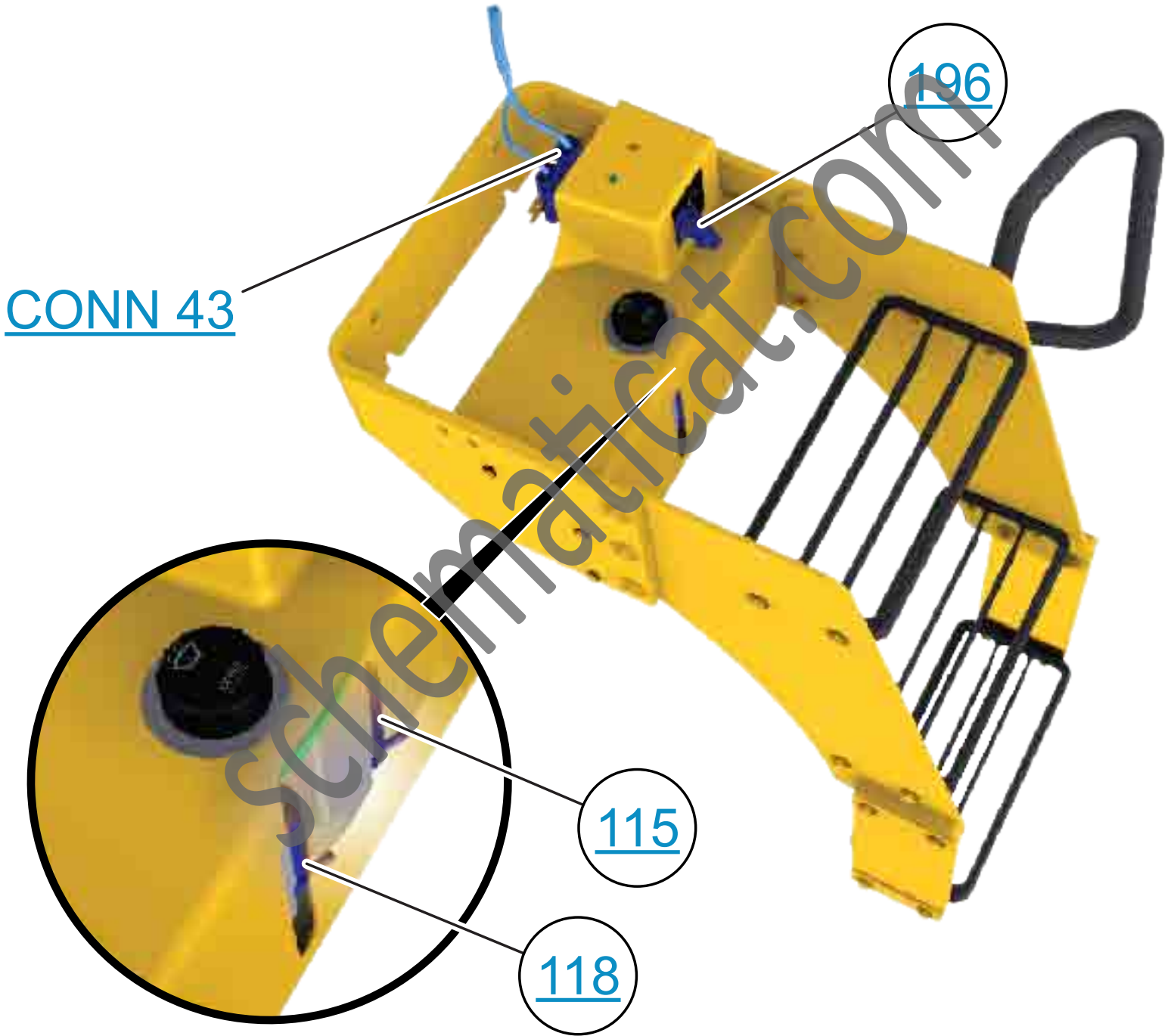
CONN 23 AND CONN 24 ARE ALSO REFERENCED
IN OPERATORS SEAT GRAPHIC

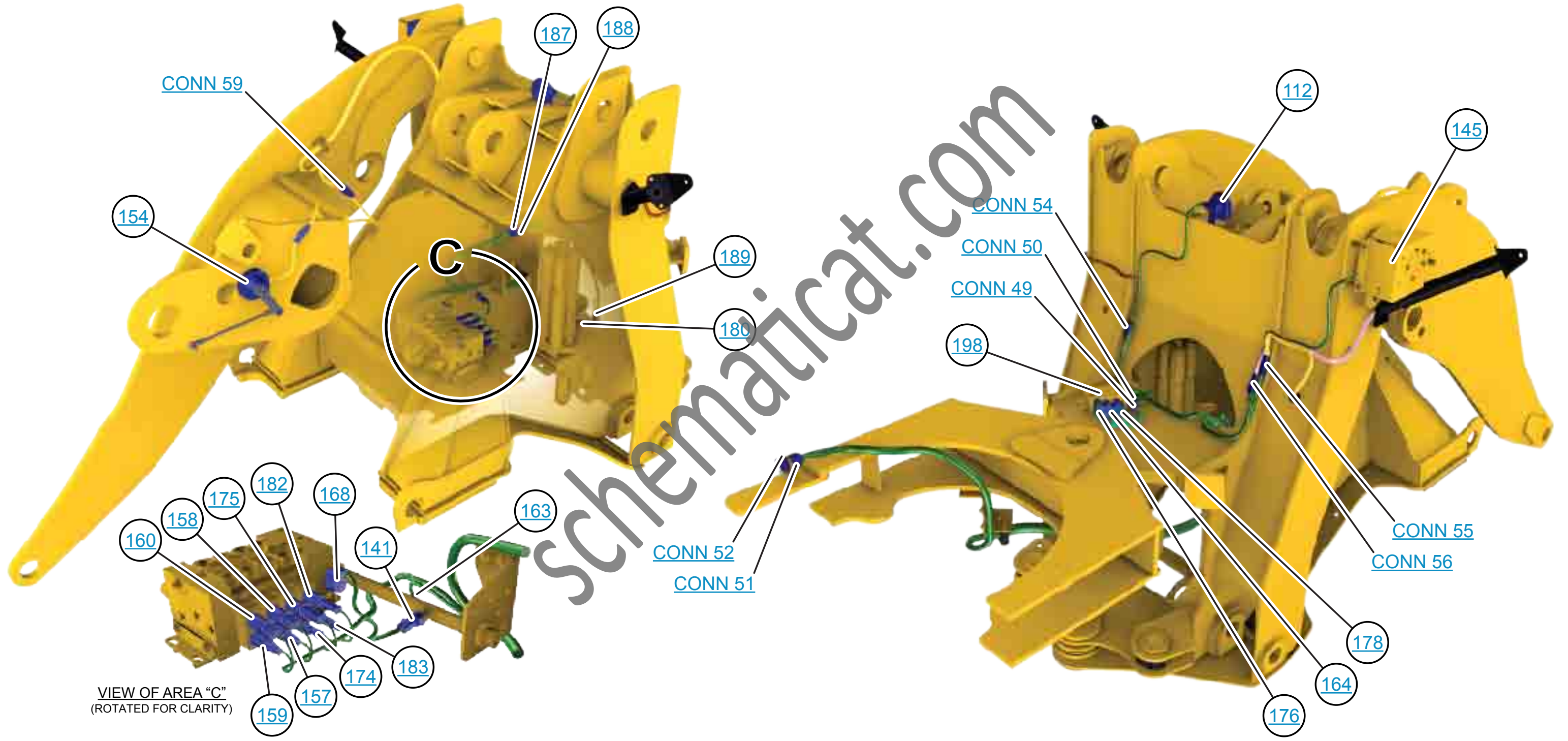
REAR CHASSIS VIEW



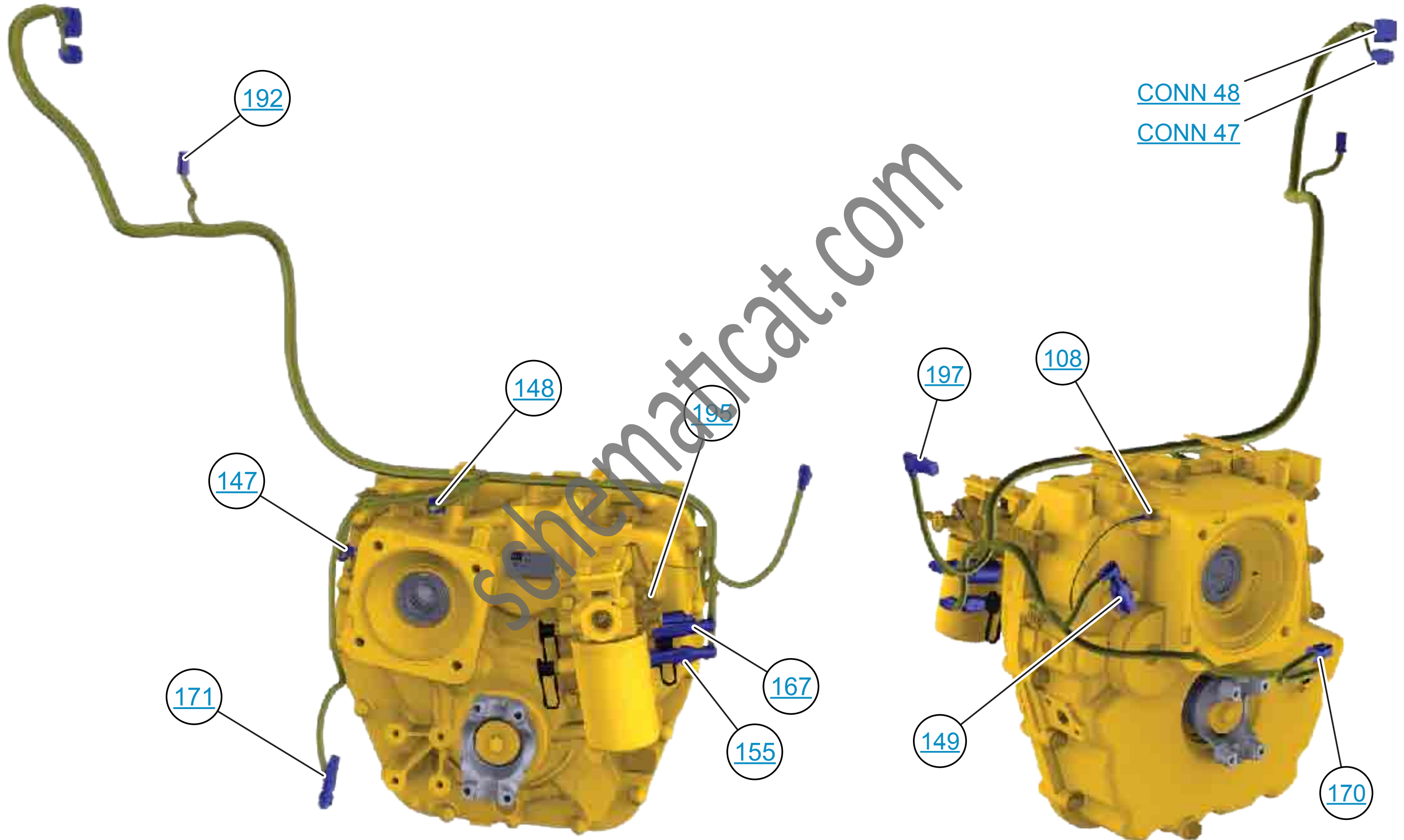




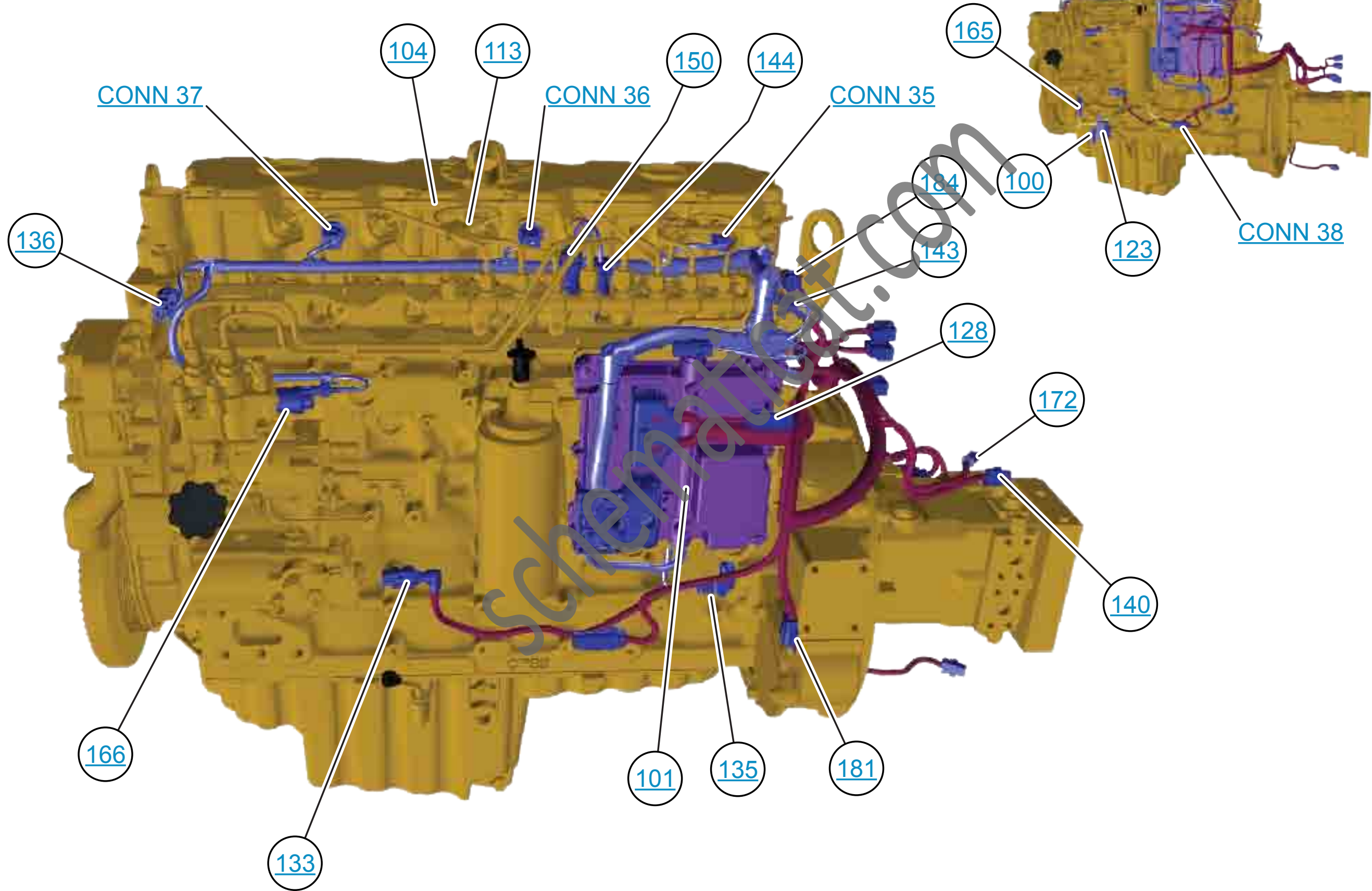


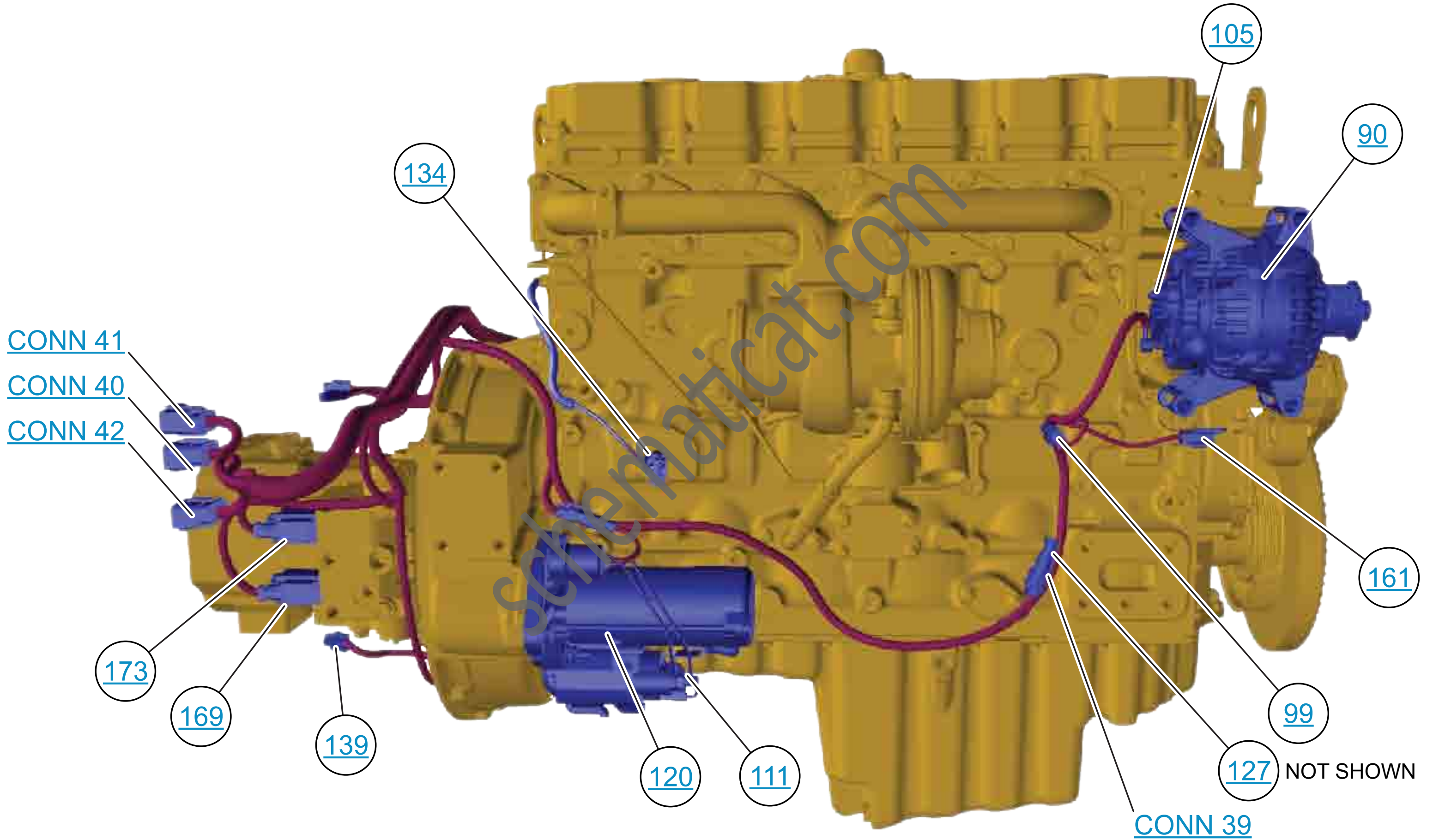


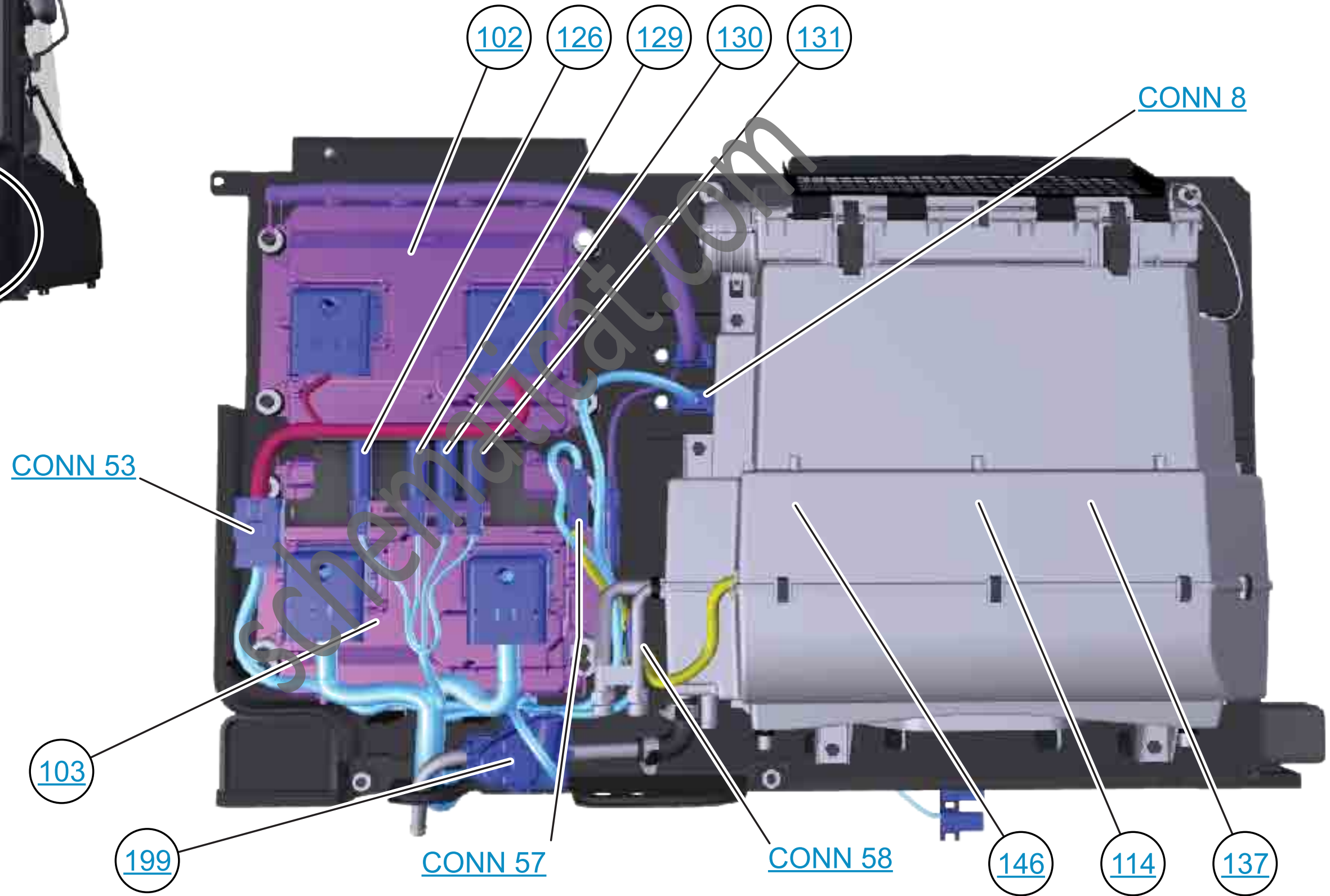
VIEW OF AREA "C"
(ROTATED FOR CLARITY)



ENGINE WITH COLD START BYPASS







VIEW OF AREA "D"