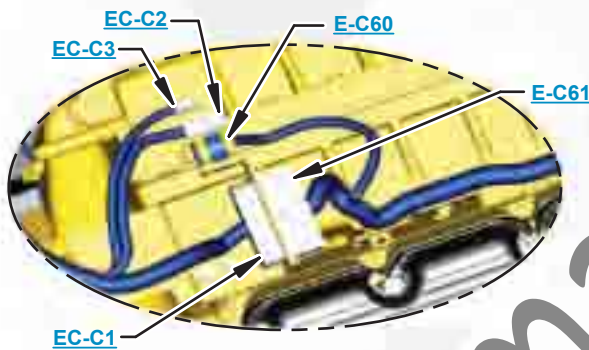


This document is best viewed at a screen resolution of 1024 X 768.

To set your screen resolution do the following:
RIGHT CLICK on the **DESKTOP**.
 Select **PROPERTIES**.
CLICK the **SETTINGS TAB**.
MOVE THE SLIDER under **SCREEN RESOLUTION** until it shows **1024 X 768**.
CLICK OK to apply the resolution.

The Bookmarks panel will allow you to quickly navigate to points of interest.



Click on any text that is BLUE and underlined. These are hyperlinks that can be used to navigate the schematic and machine views.

VIEW ALL CALLOUTS

When only one callout is showing on a machine view this button will make all of the callouts visible. This button is located in the top right corner of every machine view page.

HOTKEYS (Keyboard Shortcuts)		
	FUNCTION	KEYS
	Zoom In	"CTRL" / "+"
	Zoom Out	"CTRL" / "-"
	Fit to Page	"CTRL" / "0" (zero)
	Hand Tool	"SPACEBAR" (hold down)
	Find	"CTRL" / "F"



Schematic

966M and 972M Wheel Loader Electrical System

966M:
EJA1-UP
DYC1-UP
KJP1-UP

972M:
LSJ1-UP
A8P1-UP
JPR1-UP

Volume 1 of 3: Cab
Volume 2 of 3: Chassis
Volume 3 of 3: Engine and Aftertreatment

COMPONENT LOCATION

Volume 1 of 3 - CAB



Component	Schematic Location	Machine Location	Component	Schematic Location	Machine Location
Alarm - Action	D-13	1	Resistor - CAN Data Link A	H-5	49
Alarm - Machine Feature	D-13	2	Resistor - CAN Data Link B	J-8	50
Buss Bar - 1	G-10	3	Resistor - HVAC	H-14	51
Buss Bar - 2	E-10	4	Seat GP 1	D-7	52
Coil - MSS Exciter	I-5	5	Seat GP 2	C-1	53
Control - Blower Fan Speed	H-5	6	Selector - Transmission Gear	B-8	54
Converter - 10A	D-4	7	Sensor - 3RD Function Lever Position	C-7	55
Converter - 20A	B-14	8	Sensor - LH Pedal Position	G-4	56
Diode - Fuel Priming	D-8	9	Sensor - Lift Lever Position	C-7	57
Display - Indication	A-4	10	Sensor - Louver Temperature	G-3	58
Display - Information	J-10	11	Sensor - Recirc Filter Temperature	G-3	59
Display - WAVS	H-1	12	Sensor - RH Pedal Position	G-4	60
ECM - Implement	H-14	13	Sensor - Steering Wheel	G-1	61
ECM - Relay Driver Module	J-14	14	Sensor - Tilt Lever Position	C-7	62
ECM - Transmission	J-13	15	Switch - 4th Function Thumbroller	B-7	63
ECM - VIMS	F-13	16	Switch - Armrest Position	B-6	64
Flasher AS	D-14	17	Switch - Auto/Manual A/C	F-4	65
Fuse Block AS 1	I-10	18	Switch - Autodig Trigger 1	D-7	66
Fuse Block AS 2	G-10	19	Switch - Autodig Trigger 2	E-1	67
Ground - 1	A-13	20	Switch - Door	C-4	68
Ground - 2 NOT SHOWN	B-13	21	Switch - FNR 1	E-7	69
Ground - 3 NOT SHOWN	C-13	22	Switch - FNR 2	E-7	70
Ground - 4 NOT SHOWN	C-13	23	Switch - Fog Light	F-1	71
Ground - 5 NOT SHOWN	C-13	24	Switch - Hazard	E-4	72
Ground - 6 NOT SHOWN	C-13	25	Switch - Heated Mirrors	J-5	73
Ground - 7 NOT SHOWN	C-6	26	Switch - Horn	C-7	74
Ground - 8 NOT SHOWN	C-6	27	Switch - Implement Lockout 1	E-7	75
Ground - 9 NOT SHOWN	C-6	28	Switch - Implement Lockout 2	E-1	76
Ground - 10	A-4	29	Switch - Key	I-5	77
Ground - 11	F-4	30	Switch - Manual Differential Lock	G-4	78
Joystick - Implement	D-1	31	Switch - Operator Present 1	D-7	79
Joystick - LH	B-6	32	Switch - Operator Present 2	D-1	80
Junction Block AS	E-10	33	Switch - Parking Brake	E-4	81
Keypad	D-4	34	Switch - PCS Store 1	D-7	82
Motor - Blower	H-3	35	Switch - PCS Store 2	C-1	83
Motor - Force Feedback	G-1	36	Switch - Power Mirrors 1	I-5	84
Motor - Front Wiper	B-4	37	Switch - Power Mirrors 2	H-1	85
Motor - Precleaner	H-3	38	Switch - Quick Coupler	F-4	86
Motor - Rear Wiper	B-4	39	Switch - Seat Belt 1	D-7	87
MSS Keyreader	I-5	40	Switch - Seat Belt 2	C-1	88
Panel - HVAC	D-4	41	Switch - Stop Lamp	B-4	89
Panel - Wiper	B-4	42	Switch - Throttle Lock Set	E-1	90
Port - 12V 1	C-4	43	Switch - Throttle Resume 1	D-7	91
Port - 12V 2	C-4	44	Switch - Throttle Resume 2	C-1	92
Port - 12V 3	C-4	45	Switch - Washer	E-4	93
Radio - Product Link	G-13	46	Switch - Xmsn Downshift / Manual Dif Lock	C-7	94
Relay - Low Current Mode	E-10	47	Thermostat - HVAC Evaporator	H-3	95
Relay - Main Power	F-10	48	Valve - Water	G-3	96

Always check component part numbers with Parts Manual for your specific machine.

COMPONENT LOCATION

Volume 2 of 3 - CHASSIS

Page 1 of 2



Component	Schematic Location	Machine Location	Component	Schematic Location	Machine Location
Alarm - Backup	G-13	102	Sensor - Hi Reverse Low Forward Fork Pos	J-11	152
Alternator	D-9	103	Sensor - Hydraulic Oil Temperature	F-9	153
Batteries - 1- 4	C-10	104	Sensor - Input Speed PPV	J-10	154
Belly Guard Actuator GP	E-3	105	Sensor - LH Steering Cylinder Position	E-9	155
Breaker - Main	D-9	106	Sensor - Lift Cylinder Head End Pressure	G-1	209
Breaker - PTU	D-9	107	Sensor - Lift Cylinder Rod End Pressure	F-1	156
Breaker - Starter	D-9	108	Sensor - NOX Engine Out	D-3	157
Breaker - Transmission ECM	D-9	109	Sensor - NOX Tailpipe Out	G-12	158
Buss Bar - 1	C-10	110	Sensor - Output Speed 1	H-11	159
Buss Bar - 2	D-9	111	Sensor - Output Speed 2	J-8	160
Camera - Rear View	H-14	112	Sensor - Output Speed PPV	J-10	161
Control - Hood Raise/Lower Motor	F-12	113	Sensor - Parking Brake Pressure	B-2	162
Ground - 1	D-11	114	Sensor - Planetary Member Speed	J-10	163
Ground - 2	D-11	115	Sensor - Pump Pressure	G-1	164
Ground - 3	D-10	116	Sensor - Rear Axle Temperature 1	E-13	165
Ground - 4	B-9	117	Sensor - Rear Axle Temperature 2	E-13	166
Ground - 5	D-9	118	Sensor - Rear Wheel Speed	E-13	167
Ground - 6	E-9	119	Sensor - RH Steering Cylinder Position	F-9	168
Ground - 7	F-7	120	Sensor - Rotary Lift Position	H-3	169
Horn - 1	J-3	121	Sensor - Rotary Tilt Position	I-3	243
Horn - 2	J-3	122	Sensor - Steering Pump Oil Pressure 1	G-11	170
Junction Block AS	D-9	123	Sensor - Steering Pump Oil Pressure 2	G-11	171
Motor - Front Washer	C-2	124	Sensor - Steer Pump Oil Press 3 NOT SHOWN	H-8	172
Motor - Fuel Priming Pump	D-3	125	Sensor - Steer Pump Oil Press 4 NOT SHOWN	H-8	173
Motor - Hood Actuator	D-12	126	Sensor - Steering Spool Position 1	H-11	174
Motor - Rear Washer	E-2	127	Sensor - Steering Spool Position 2	H-8	175
Motor - Secondary Steering	E-10	128	Sensor - Torque Converter Output Speed	J-8	176
Motor - Starter	D-10	129	Sensor - Torque Converter Temperature	C-12	177
Motor - Variable Pitch Fan	E-3	130	Sensor - Transmission Oil Temperature	J-8	178
Pump - Autolube	G-10	131	Sensor - Transmission Oil Temperature PPV	J-10	179
Receiver - Tire Pressure NOT SHOWN	A-9	132	Sensor - Transmission Output Speed 2	J-8	180
Receptacle - Auxiliary Start	C-10	133	Sensor - Variator Loop A Pressure	I-11	181
Relay - Reversing Lights	G-13	134	Sensor - Variator Loop B Pressure	I-11	182
Relay - Secondary Steering	E-9	135	Sensor - Water In fuel	C-3	183
Relay - Starter	D-9	136	Solenoid - 3rd Function Port A	E-2	184
Resistor - 1	D-10	137	Solenoid - 3rd Function Port B	E-2	185
Resistor - 2	C-10	138	Solenoid - 4th Function Port A	E-2	186
Resistor - 3 NOT SHOWN	B-9	139	Solenoid - 4th Function Port B	E-2	187
Resistor - 4	E-9	140	Solenoid - Auxiliary Synchro Valve	H-10	188
Sensor - Air Filter	D-12	141	Solenoid - Brake Charging	A-2	189
Sensor - Air Inlet Temperature	D-12	142	Solenoid - Clutch 1 Reverse	I-8	190
Sensor - Auxiliary Fork Position	J-11	143	Solenoid - Clutch 2 Forward	H-8	191
Sensor - Brake Accumulator Pressure 1	B-2	144	Solenoid - Clutch 3 Speed 4	I-8	192
Sensor - Brake Accumulator Pressure 2	B-2	145	Solenoid - Clutch 4 Speed 3	I-8	193
Sensor - Elec-HydPump Displacement	I-11	146	Solenoid - Clutch 5 Speed 2	I-8	194
Sensor - Flushing Oil Temperature	J-11	147	Solenoid - Clutch 6 Speed 1	J-8	195
Sensor - Front Axle Oil Temperature	H-3	148	Solenoid - Clutch A	H-10	196
Sensor - Front Wheel Speed	F-3	149	Solenoid - Clutch B	H-10	197
Sensor - Fuel Level	F-12	150	Solenoid - Demand Fan Speed	A-2	198
Sensor - Hi Forward Low Reverse Fork Pos	J-11	151	Solenoid - Dump	G-1	199

Always check component part numbers with Parts Manual for your specific machine.

COMPONENT LOCATION

Volume 2 of 3 - CHASSIS

Page 2 of 2



Component	Schematic Location	Machine Location	Component	Schematic Location	Machine Location
Solenoid - Elec-Hyd Pump Actuator 1	G-10	200	Solenoid - RH Secondary Steering 1	H-11	222
Solenoid - Elec-Hyd Pump Actuator 2	G-10	201	Solenoid - RH Secondary Steering 2	H-7	223
Solenoid - Front Differential Lock	F-3	202	Solenoid - Ride Control (Activation)	H-1	224
Solenoid - Fuel Selector Valve	D-3	203	Solenoid - Ride Control (Balance)	H-1	225
Solenoid - Implement Pilot Supply	F-1	204	Solenoid - Starting Aid	F-9	226
Solenoid - LH Primary Steering 1	I-11	205	Solenoid - Synchro Hi Forward	H-10	227
Solenoid - LH Primary Steering 2	I-7	206	Solenoid - Synchro Hi Reverse	H-10	228
Solenoid - LH Secondary Steering 1	H-11	207	Solenoid - Synchro Low Forward	I-10	229
Solenoid - LH Secondary Steering 2	I-7	208	Solenoid - Synchro Low Reverse	I-10	230
Solenoid - LockUp Clutch	I-8	210	Solenoid - Synchro Supply	I-10	231
Solenoid - Lower	G-1	211	Solenoid - Variable Main Relief Valve	H-8	232
Solenoid - Parking Brake	B-2	212	Suppressor - Arc	E-9	233
Solenoid - PPV Pump Control A	I-10	213	Suppressor - Strobe Arc	H-14	234
Solenoid - PPV Pump Control B	I-10	214	Switch - Battery Disconnect	C-9	235
Solenoid - Primary Steering Pilot Supply 1	I-11	215	Switch - Belly Guard Actuator	E-3	236
Solenoid - Primary Steering Pilot Supply 2	H-7	216	Switch - Ground Level Shutdown	D-12	237
Solenoid - Rackback	H-1	217	Switch - Hood Actuator	F-12	238
Solenoid - Raise	G-1	218	Switch - Hydraulic Filter Bypass	C-2	239
Solenoid - Rear Differential Lock	B-4	219	Switch - Power Door Unlatch	A-9	240
Solenoid - RH Primary Steering 1	H-11	220	Switch - Transmission Filter Bypass	C-2	241
Solenoid - RH Primary Steering 2	I-7	221	Valve - Quick Coupler	I-3	242

Always check component part numbers with Parts Manual for your specific machine.

COMPONENT LOCATION

Volume 3 of 3 - ENGINE AND AFTERTREATMENT



Component	Schematic Location	Machine Location	Component	Schematic Location	Machine Location
Actuator - ARD Air Flow Control	I-10	248	Sensor - Coolant Temperature	B-4	277
DEF Tank Header	E-10	249	Sensor - Crankcase Pressure	C-4	278
ECM - Aftertreatment	I-7	250	Sensor - DPF Delta Pressure	H-12	279
ECM - DCU	F-12	251	Sensor - DPF Intake Pressure	H-12	280
ECM - Engine	E-7	252	Sensor - Engine Oil Pressure	C-4	281
Ground - CEM	I-11	253	Sensor - Fuel Pressure After Filter	C-2	282
Ground - Engine	I-11	254	Sensor - Fuel Pressure Before Filter	C-2	283
Heater - ARD Fuel Nozzle	I-10	255	Sensor - Fuel Temperature	C-2	284
Heater - SCR DEF Line 1	F-10	256	Sensor - Injector Meter Rail Pressure	C-4	285
Heater - SCR DEF Line 2	F-10	257	Sensor - Intake Manifold Pressure (IMP)	B-4	286
Heater - SCR DEF Line 3	E-10	258	Sensor - NRS Differential Pressure	A-4	287
Injector - DEF (8L)	J-11	259	Sensor - NRS Intake Pressure	B-4	288
Injectors - 1-6	B-2	260	Sensor - NRS Temperature	B-4	289
Module - Aftertreatment ID	J-11	261	Sensor - SCR Temperature Inlet	I-11	290
Pump - DEF Dosing	E-10	262	Sensor - Speed/Timing (Cranking)	A-6	291
Relay - ARD Fuel Nozzle Heater	H-11	263	Sensor - Speed/Timing (Run)	A-6	292
Relay - DEF Line Heater (24V)	F-10	264	Solenoid - A/C Clutch	D-5	293
Relay - Main PTU Power (24V)	F-10	265	Solenoid - ARD Fuel Control Actuator 1	H-11	294
Resistor - CAN Data Link	A-4	266	Solenoid - ARD Fuel Control Actuator 2	I-11	295
Resistor - CAN A Data Link	D-5	267	Solenoid - Fuel Pump (After)	C-4	296
Resistor - CAN B Data Link	J-7	268	Solenoid - Fuel Pump (Before)	C-4	297
Resistor - CAN C Data Link	E-10	269	Solenoid - NRS Flow Bal Valve Actuator Up	B-4	298
Resistor - CAN D Data Link	D-5	270	Solenoid - NRS Valve Actuator	B-4	299
Sensor - Aftertreatment Sec Air Pressure	H-12	271	Spark Plug	I-11	300
Sensor - Analog FD/DPF Intake Temperature	I-11	272	Switch - A/C High/Low Pressure	D-5	301
Sensor - ARD Fuel Pressure (Main)	I-11	273	Switch - A/C Low Pressure	D-5	302
Sensor - ARD Fuel Pressure (Pilot)	J-11	274	Transformer - ARD Ignition Primary	I-11	303
Sensor - Barometric Pressure	E-4	275	Valve - Coolant Diverter	E-10	304
Sensor - Charge Air Cooler Outlet Temp	E-6	276	Voltage Control GP	F-10	305

Always check component part numbers with Parts Manual for your specific machine.

CONNECTOR LOCATION

Volume 1 of 3 - CAB



Connector Number	Schematic Location
CONN 1 - To PCS Printer	D-13
CONN 2	B-12
CONN 3	A-12
CONN 4	I-8
CONN 5	H-8
CONN 6	F-8
CONN 7	E-8
CONN 8	E-8
CONN 9 - VIMS Service Port	D-8
CONN 10	C-8, D-3
CONN 11 - ET Service Port	C-8
CONN 12	B-8, G-3
CONN 13	A-8, F-3
CONN 14	C-5
CONN 15	E-5
CONN 16	H-5
CONN 17	I-5, H-2
CONN 18	J-5
CONN 19 - Power Door Unlatch	C-4

The connectors shown in this chart are for harness to harness connectors. Connectors that join a harness to a component are generally located at or near the component. See the Component Location Chart.

CONNECTOR LOCATION

Volume 2 of 3 - CHASSIS

Page 1 of 2



Connector Number	Schematic Location
CONN 4	G-5
CONN 5	E-5
CONN 6	I-9, I-6
CONN 7	H-9, H-6
CONN 8	I-9, H-6
CONN 25	G-13
CONN 26	I-13
CONN 27	J-12
CONN 28	J-12
CONN 29	H-12
CONN 30	G-12
CONN 31	G-12
CONN 32	E-12
CONN 33	E-12
CONN 34	E-12
CONN 35	C-12
CONN 36	B-12
CONN 37 NOT SHOWN	B-11
CONN 38	J-10
CONN 39	E-10
CONN 40	D-10
CONN 41	B-10, C-9
CONN 42	B-10, C-9
CONN 43	B-10
CONN 44	A-9
CONN 45	E-9
CONN 46	E-9

The connectors shown in this chart are for harness to harness connectors. Connectors that join a harness to a component are generally located at or near the component. See the Component Location Chart.

CONNECTOR LOCATION

Volume 2 of 3 - CHASSIS

Page 2 of 2



Connector Number	Schematic Location
CONN 47	E-9
CONN 48	F-9
CONN 49	F-9
CONN 50 - CVT Heater	G-9
CONN 51 - CVT Heater	G-9
CONN 52	G-9
CONN 53	H-8
CONN 54	C-5
CONN 55	D-5
CONN 56	H-5
CONN 57	I-5
CONN 58	E-4
CONN 59	E-4
CONN 60	D-4
CONN 61	B-4
CONN 62	B-4
CONN 63	F-3
CONN 64	F-3
CONN 65 - Autolube Pressure Switch	G-3
CONN 66	H-3
CONN 67	I-3
CONN 68	J-3
CONN 69	J-3
CONN 70	J-3
CONN 71	J-3

The connectors shown in this chart are for harness to harness connectors. Connectors that join a harness to a component are generally located at or near the component. See the Component Location Chart.

CONNECTOR LOCATION

Volume 3 of 3 - ENGINE AND AFTERTREATMENT



Connector Number	Schematic Location
CONN 35	F-5
CONN 36	E-5
CONN 54	D-10
CONN 55	D-10
CONN 77	H-11
CONN 78	H-11
CONN 79	H-11
CONN 80	J-11
CONN 81	I-7
CONN 82	J-7, B-4
CONN 83	A-5
CONN 84 - User Defined Shutdown	C-5
CONN 85	C-4
CONN 86	C-4
CONN 87	B-4
CONN 88 - TDC Service Probe	B-4

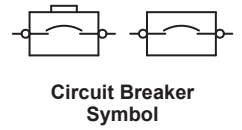
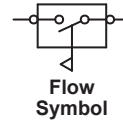
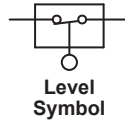
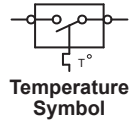
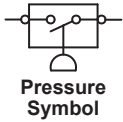
The connectors shown in this chart are for harness to harness connectors. Connectors that join a harness to a component are generally located at or near the component. See the Component Location Chart.

HARNESS and WIRE

Electrical Schematic Symbols



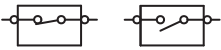
Symbols



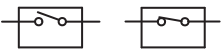
Symbols and Definitions



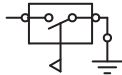
Fuse: A component in an electrical circuit that will open the circuit if too much current flows through it.



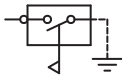
Switch (Normally Open): A switch that will close at a specified point (temp, press, etc.). The circle indicates that the component has screw terminals and a wire can be disconnected from it.



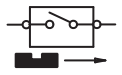
Switch (Normally Closed): A switch that will open at a specified point (temp, press, etc.). No circle indicates that the wire cannot be disconnected from the component.



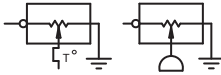
Ground (Wired): This indicates that the component is connected to a grounded wire. The grounded wire is fastened to the machine.



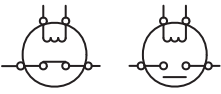
Ground (Case): This indicates that the component does not have a wire connected to ground. It is grounded by being fastened to the machine.



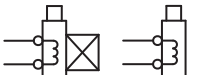
Reed Switch: A switch whose contacts are controlled by a magnet. A magnet closes the contacts of a normally open reed switch; it opens the contacts of a normally closed reed switch.



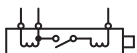
Sender: A component that is used with a temperature or pressure gauge. The sender measures the temperature or pressure. Its resistance changes to give an indication to the gauge of the temperature or pressure.



Relay (Magnetic Switch): A relay is an electrical component that is activated by electricity. It has a coil that makes an electromagnet when current flows through it. The electromagnet can open or close the switch part of the relay.



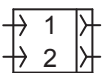
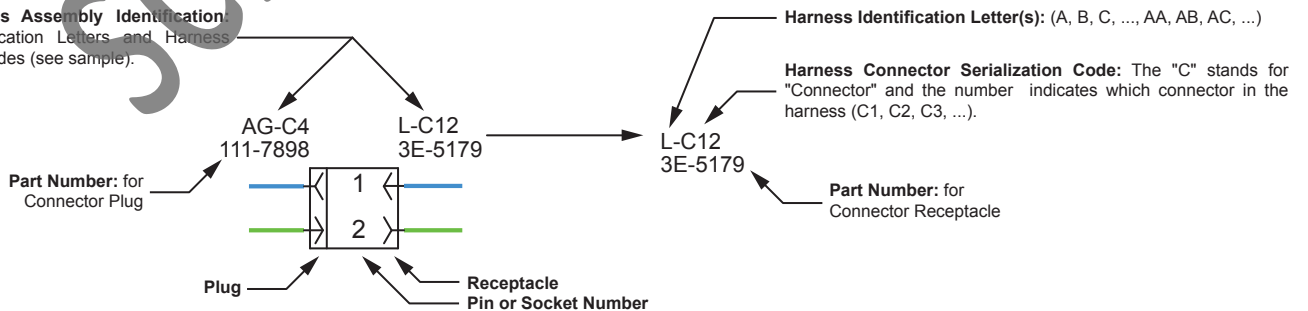
Solenoid: A solenoid is an electrical component that is activated by electricity. It has a coil that makes an electromagnet when current flows through it. The electromagnet can open or close a valve or move a piece of metal that can do work.



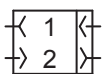
Magnetic Latch Solenoid: A magnetic latch solenoid is an electrical component that is activated by electricity and held latched by a permanent magnet. It has two coils (latch and unlatch) that make electromagnet when current flows through them. It also has an internal switch that places the latch coil circuit open at the time the coil latches.

Harness and Wire Symbols

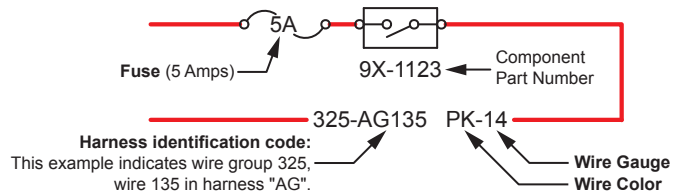
Wire, Cable, or Harness Assembly Identification: Includes Harness Identification Letters and Harness Connector Serialization Codes (see sample).

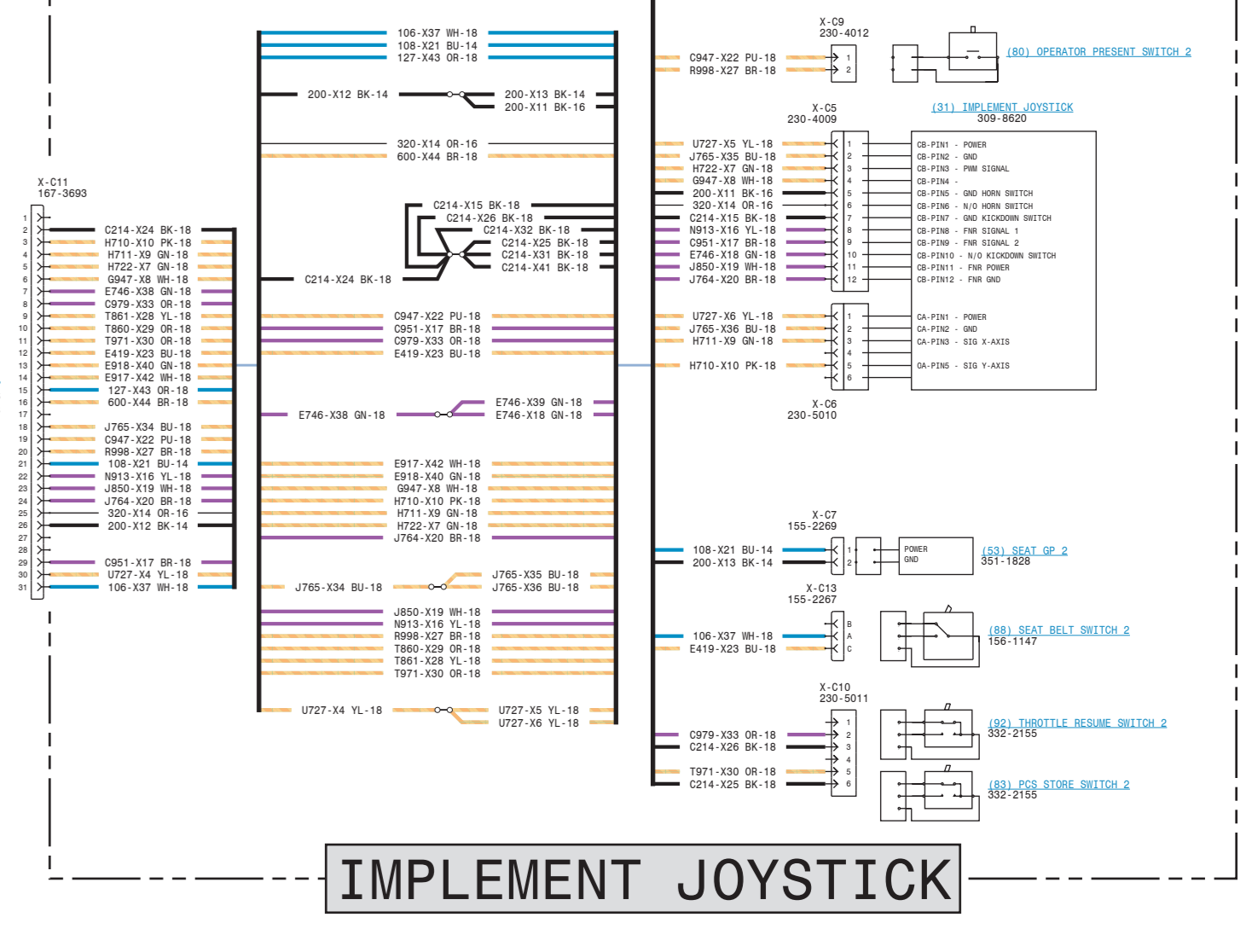
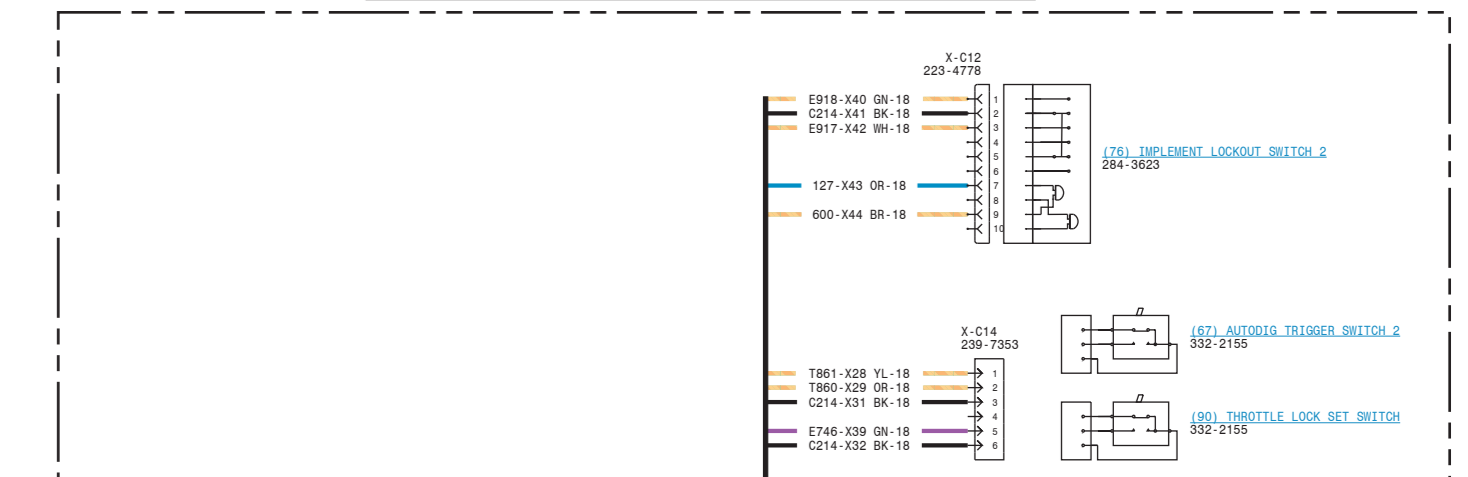
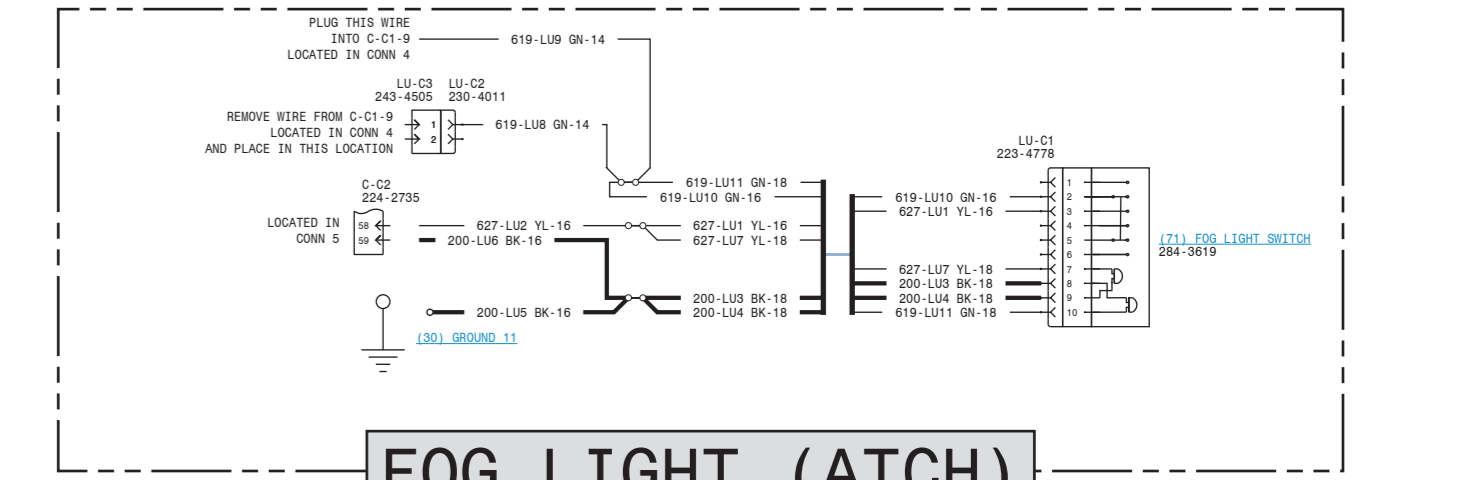
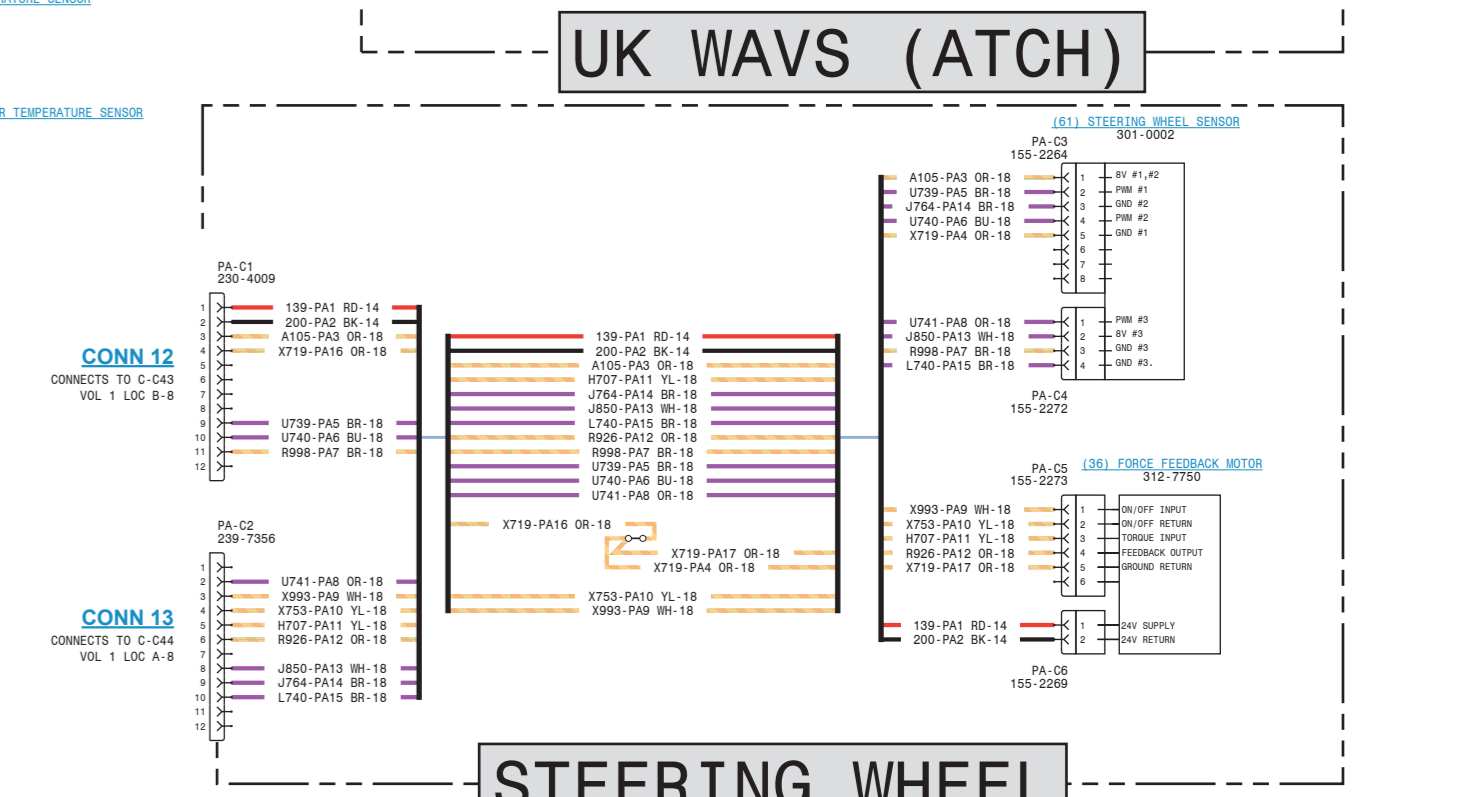
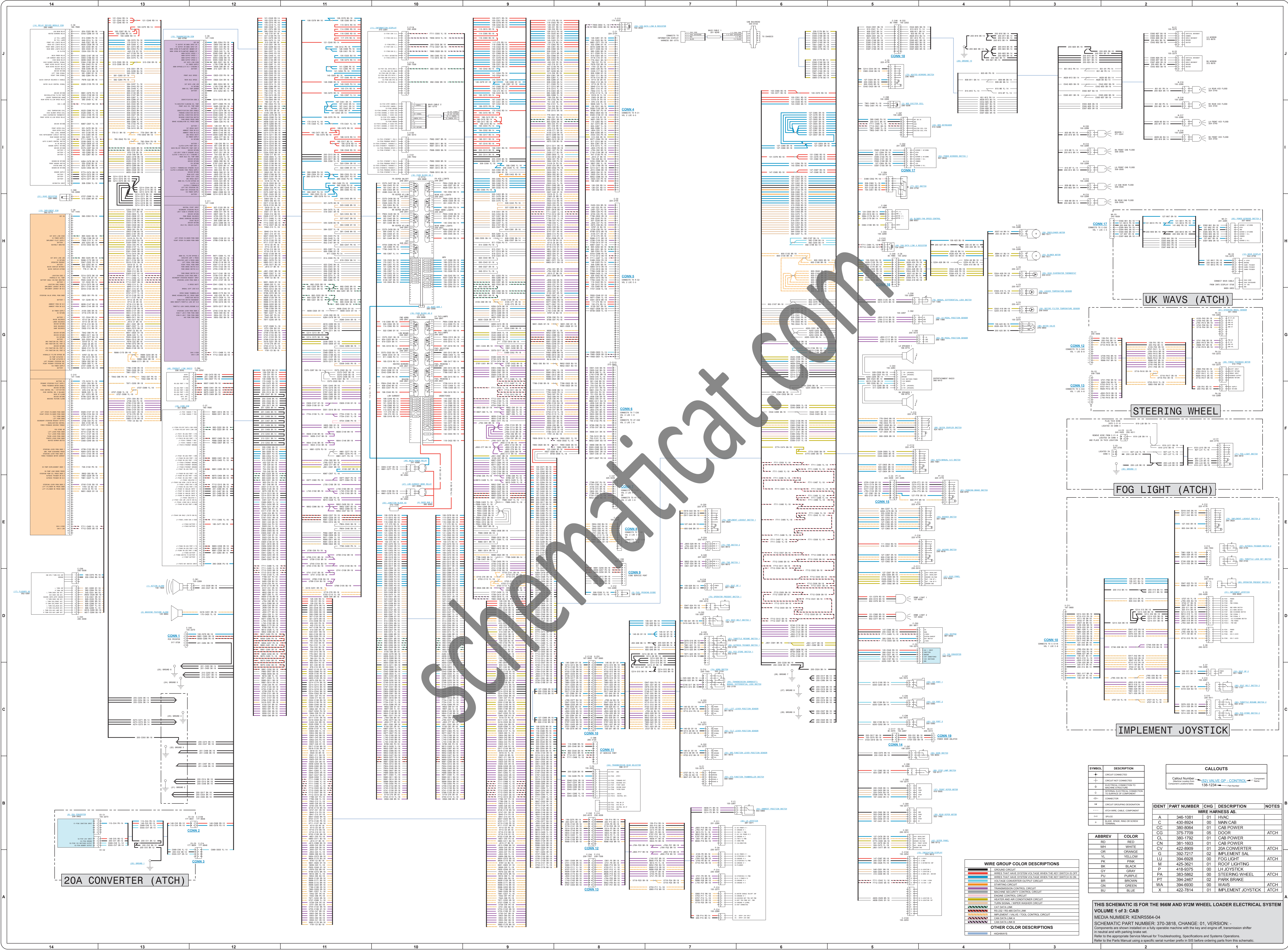


Deutsch connector: Typical representation of a Deutsch connector. The plug contains all sockets and the receptacle contains all pins.



Sure-Seal connector: Typical representation of a Sure-Seal connector. The plug and receptacle contain both pins and sockets.





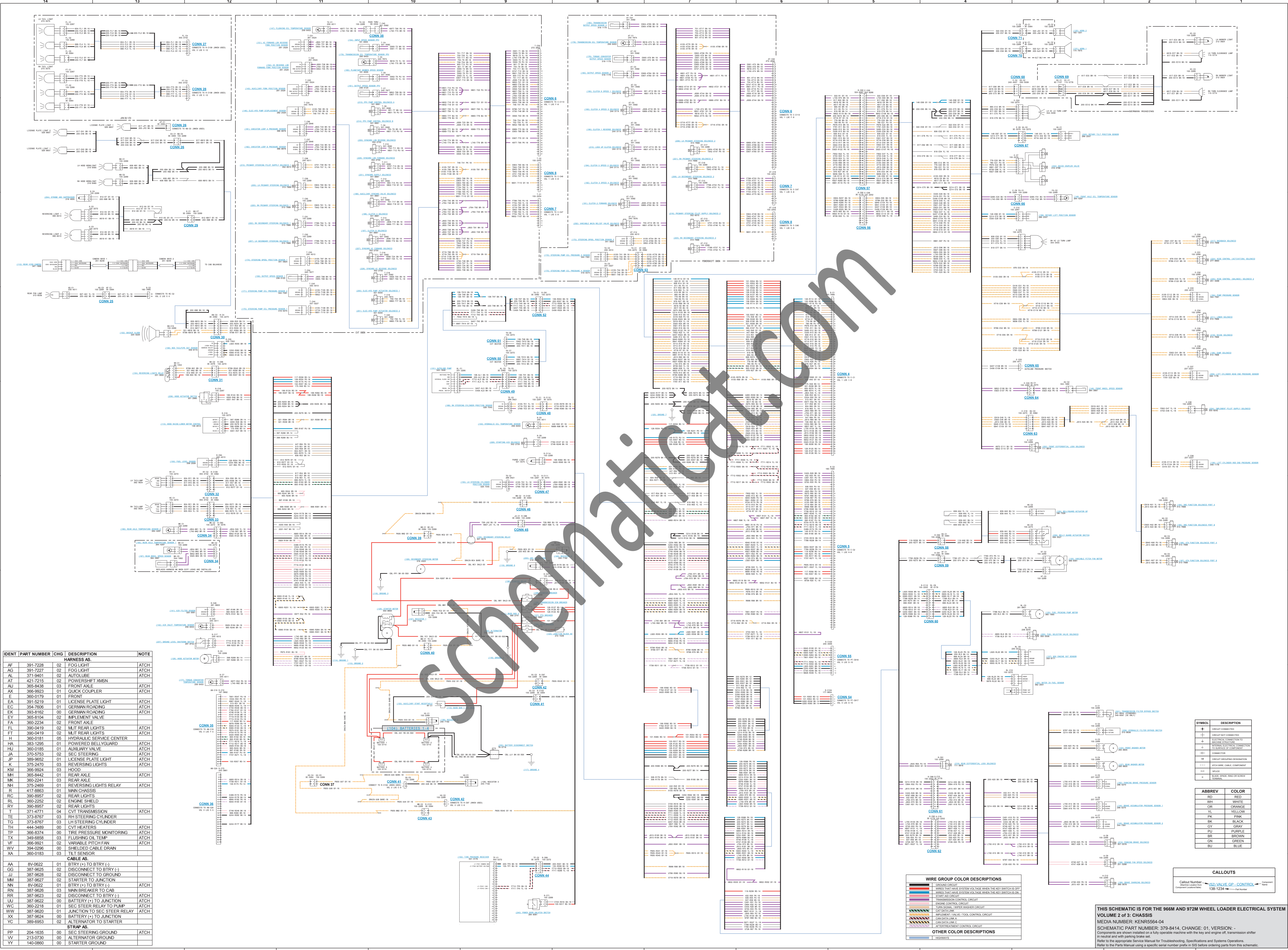
SYMBOL	DESCRIPTION
+	CIRCUIT CONNECTED
+	CIRCUIT NOT CONNECTED
+	ELECTRICAL CONNECTION TO
+	INTERNAL ELECTRICAL CONNECTION
+	CONNECTOR
+	CIRCUIT GROUPING DESIGNATION
+	WIRE CABLE COMPONENT
+	WIRE
+	WIRE TRUNK OR DISCREET TRUNK

IDENT	PART NUMBER	CHG	DESCRIPTION	NOTES
A	346-1091	01	TRAC	
C	430-8924	00	MAIN CAB	
CC	380-8064	01	CAB POWER	
CG	375-7709	05	DOOR	ATCH
CL	360-7792	02	IMPLEMENT SAL	
CN	381-1603	01	CAB POWER	
CV	422-8909	01	20A CONVERTER	ATCH
G	392-7217	02	IMPLEMENT VAL	
LU	394-6929	00	FOG LIGHT	ATCH
M	425-3621	01	ROOF LIGHTING	
P	418-9375	00	LH JOYSTICK	
PA	363-8262	00	STEERING WHEEL	ATCH
PT	394-2467	02	PARK BRAKE	
WA	394-6930	00	WAVS	ATCH
X	422-7814	01	IMPLEMENT JOYSTICK	ATCH

WIRE GROUP COLOR DESCRIPTIONS	
—	GROUND CIRCUIT
—	WIRES THAT HAVE SYSTEM VOLTAGE WHEN THE KEY SWITCH IS OFF
—	WIRES THAT HAVE SYSTEM VOLTAGE WHEN THE KEY SWITCH IS ON
—	VOLTAGE CONVERTER OUTPUT CIRCUIT
—	STARTING CIRCUIT
—	TRANSMISSION CONTROL CIRCUIT
—	MACHINE SECURITY CONTROL CIRCUIT
—	ENGINE CONTROL CIRCUIT
—	HEATER AND AIR CONDITIONER CIRCUIT
—	TURBO SIGNAL WIRE CIRCUIT
—	CAT DATA LINE
—	ESP/ABS/4WD DATA LINE
—	IMPLEMENT VALVE TOOL CONTROL CIRCUIT
—	CAN DATA LINE A
—	CAN DATA LINE B

OTHER COLOR DESCRIPTIONS	
—	HEADWAYS

THIS SCHEMATIC IS FOR THE 966M AND 972M WHEEL LOADER ELECTRICAL SYSTEM VOLUME 1 of 3: CAB
 MEDIA NUMBER: KENR5564-04
 SCHEMATIC PART NUMBER: 370-3818, CHANGE: 01, VERSION: -
 Components are shown installed on a fully operable machine with the key and engine off, transmission shifter in neutral and with parking brake set.
 Refer to the appropriate Service Manual for Troubleshooting, Specifications and Systems Operations.
 Refer to the Parts Manual using a specific serial number prefix in SIB before ordering parts from this schematic.



IDENT	PART NUMBER	CHG	DESCRIPTION	NOTE
HARNESS AS.				
AF	391-7228	02	FOG LIGHT	ATCH
AG	391-7227	02	FOG LIGHT	ATCH
AL	371-9401	02	AUTOLUBE	ATCH
AT	421-7215	02	POWERSHIFT XMSN	
AJ	395-6438	03	FRONT AXLE	ATCH
AX	368-9923	01	QUICK COUPLER	ATCH
E	360-0179	01	FRONT	
EA	391-5219	01	LICENSE PLATE LIGHT	ATCH
EC	354-7606	01	GERMAN ROADING	ATCH
EK	393-8162	00	GERMAN ROADING	ATCH
EY	365-8104	02	BIWELMENT VALVE	
FA	390-2204	02	FRONT AXLE	ATCH
FL	390-0419	02	MULTI REAR LIGHTS	ATCH
FT	390-0419	02	MULTI REAR LIGHTS	ATCH
FE	360-0181	05	HYDRAULIC SERVICE CENTER	
HA	385-1295	01	POWERED BELLYGUARD	ATCH
HJ	360-0185	01	AUXILIARY VALVE	ATCH
JA	370-5753	02	SEC STEERING	ATCH
JP	390-9952	01	LICENSE PLATE LIGHT	ATCH
K	375-2470	03	REVERSING LIGHTS	ATCH
KM	366-9924	03	HOOD	
MH	365-6442	01	REAR AXLE	ATCH
NH	375-2469	01	REVERSING LIGHTS RELAY	ATCH
RL	417-8863	01	MAIN CHASSIS	
RC	390-8957	02	REAR LIGHTS	ATCH
RL	360-2252	02	ENGINE SHIELD	
RY	390-8957	02	REAR LIGHTS	ATCH
T	371-4771	04	CVT TRANSMISSION	ATCH
TE	373-8767	03	RH STEERING CYLINDER	
TG	373-8767	03	LH STEERING CYLINDER	
TH	444-3489	00	CVT HEATERS	ATCH
TP	360-8374	00	TIRE PRESSURE MONITORING	ATCH
TX	349-6858	03	FLUSHING OIL TEMP	ATCH
VF	366-9921	02	VARIABLE PITCH TAMP	ATCH
WV	394-0296	00	SHIELDED CABLE DRAIN	
XA	360-0183	03	TILT SENSOR	
CABLE AS.				
AA	8V-9622	01	BTRY (+) TO BTRY (-)	
CG	387-9625	02	DISCONNECT TO BTRY (-)	
JJ	387-9628	02	DISCONNECT TO GROUND	
MM	387-9627	02	STARTER TO JUNCTION	
NN	8V-9622	01	BTRY (+) TO BTRY (-)	
RR	387-9628	03	MAIN BREAKER TO CAB	ATCH
RR	387-9623	02	DISCONNECT TO BTRY (-)	ATCH
UU	387-9622	00	BATTERY (+) TO JUNCTION	ATCH
WV	360-2218	01	SEC STEER RELAY TO PLUMP	ATCH
WW	387-9620	01	JUNCTION TO SEC STEER RELAY	ATCH
XX	387-9624	00	BATTERY (+) TO JUNCTION	
YC	389-6953	02	ALTERNATOR TO STARTER	
STRAP AS.				
PP	204-1635	00	SEC STEERING STARTER	ATCH
VV	213-0730	00	ALTERNATOR GROUND	
YY	140-0860	00	STARTER GROUND	

WIRE GROUP COLOR DESCRIPTIONS

- GROUP 1: RED
- GROUP 2: WHITE
- GROUP 3: ORANGE
- GROUP 4: YELLOW
- GROUP 5: PINK
- GROUP 6: BLACK
- GROUP 7: GRAY
- GROUP 8: PURPLE
- GROUP 9: BROWN
- GROUP 10: GREEN
- GROUP 11: BLUE

OTHER COLOR DESCRIPTIONS

- GROUP 12: RED/BLACK
- GROUP 13: WHITE/BLACK
- GROUP 14: ORANGE/BLACK
- GROUP 15: YELLOW/BLACK
- GROUP 16: PINK/BLACK
- GROUP 17: BLACK/BLACK
- GROUP 18: GRAY/BLACK
- GROUP 19: PURPLE/BLACK
- GROUP 20: BROWN/BLACK
- GROUP 21: GREEN/BLACK
- GROUP 22: BLUE/BLACK

SYMBOL DESCRIPTION

- Grouped lines: GROUP CONNECTED
- Scattered lines: GROUP NOT CONNECTED
- Line with arrow: WIRE THAT HAS SYSTEM VOLTAGE WHEN THE KEY SWITCH IS OFF
- Line with star: WIRE THAT HAS SYSTEM VOLTAGE WHEN THE KEY SWITCH IS ON
- Line with circle: START-UP CIRCUIT
- Line with square: TRANSMISSION CONTROL CIRCUIT
- Line with triangle: ENGINE CONTROL CIRCUIT
- Line with diamond: TRANSMISSION POWER WASHER CIRCUIT
- Line with hexagon: CAT DATA LINE
- Line with octagon: MAIN BREAKER VALVE / TOOL CONTROL CIRCUIT
- Line with circle: CAN DATA LINE
- Line with square: CAT DATA LINE
- Line with hexagon: CAT DATA LINE
- Line with octagon: CAT DATA LINE

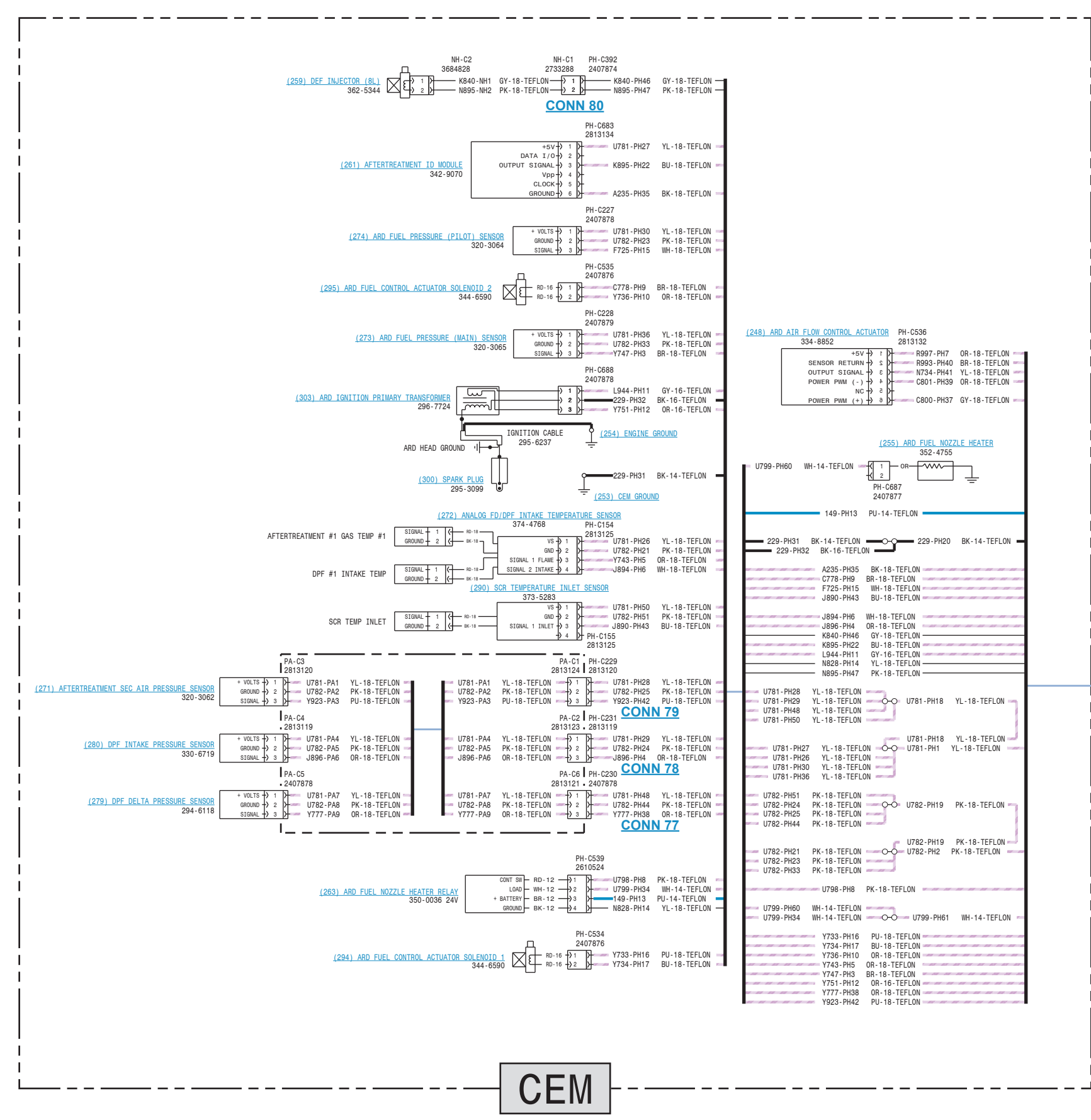
ABBREV COLOR

WH	WHITE
OR	ORANGE
YL	YELLOW
PK	PINK
BLK	BLACK
GY	GRAY
PU	PURPLE
BR	BROWN
GN	GREEN
BLU	BLUE

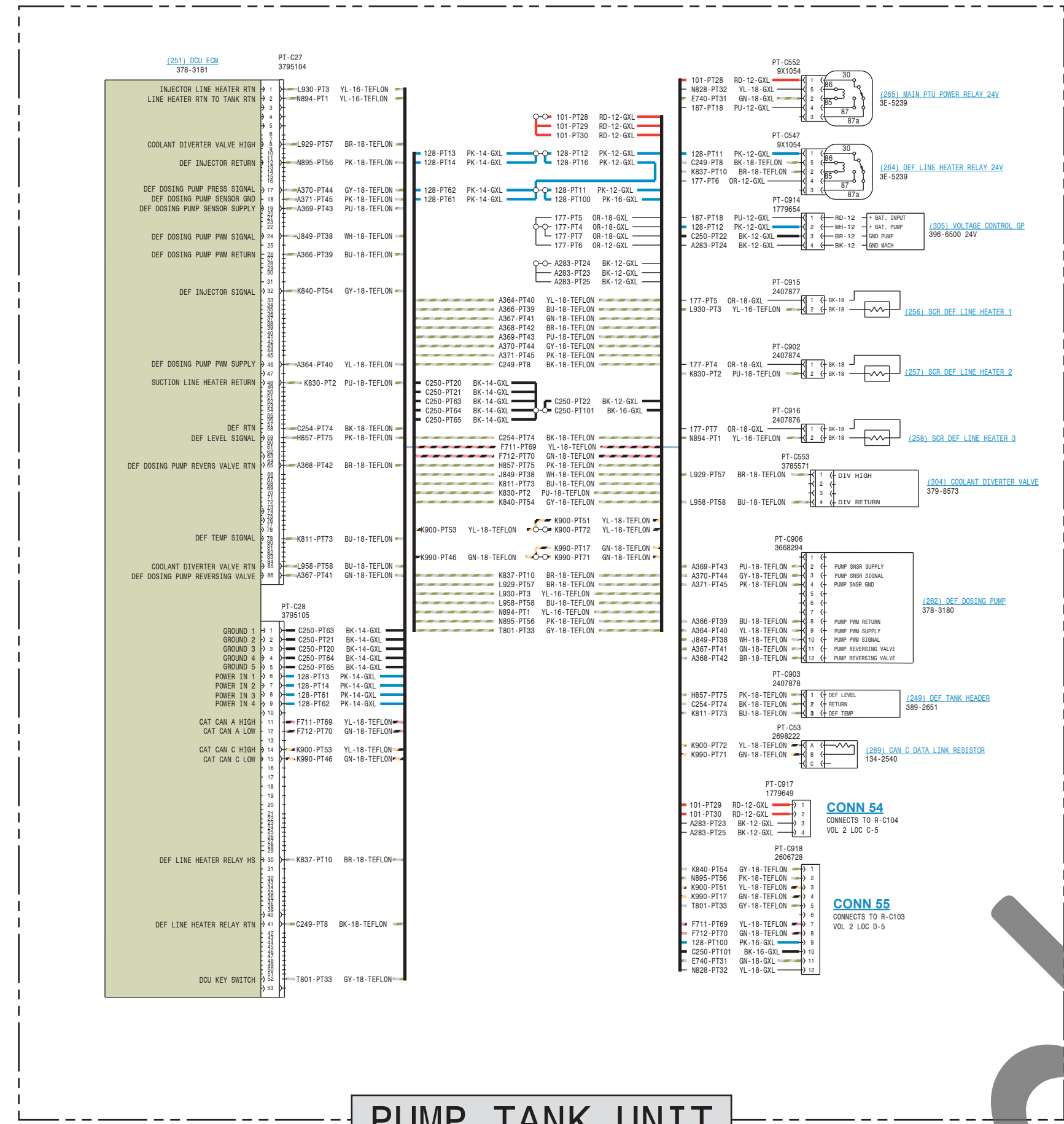
CALLOUTS

Callout Number: 138-1234
 Component Location: 138-1234
 Part Number: 138-1234

THIS SCHEMATIC IS FOR THE 966M AND 972M WHEEL LOADER ELECTRICAL SYSTEM
VOLUME 2 of 3: CHASSIS
 MEDIA NUMBER: KENR5564-04
 SCHEMATIC PART NUMBER: 379-8414, CHANGE: 01, VERSION: 1
 Components are shown installed on a fully operate machine with the key and engine off. Transmission shifter in neutral and with parking brake set.
 Refer to the appropriate Service Manual for Troubleshooting, Specifications and Systems Operations.
 Refer to the Parts Manual using a specific serial number prefix in SIS before ordering parts from this schematic.



CEM



PUMP TANK UNIT

WIRES IN THE FOLLOWING GROUPS SHALL BE TRIMMED ONE WIRE PER 25 MM.

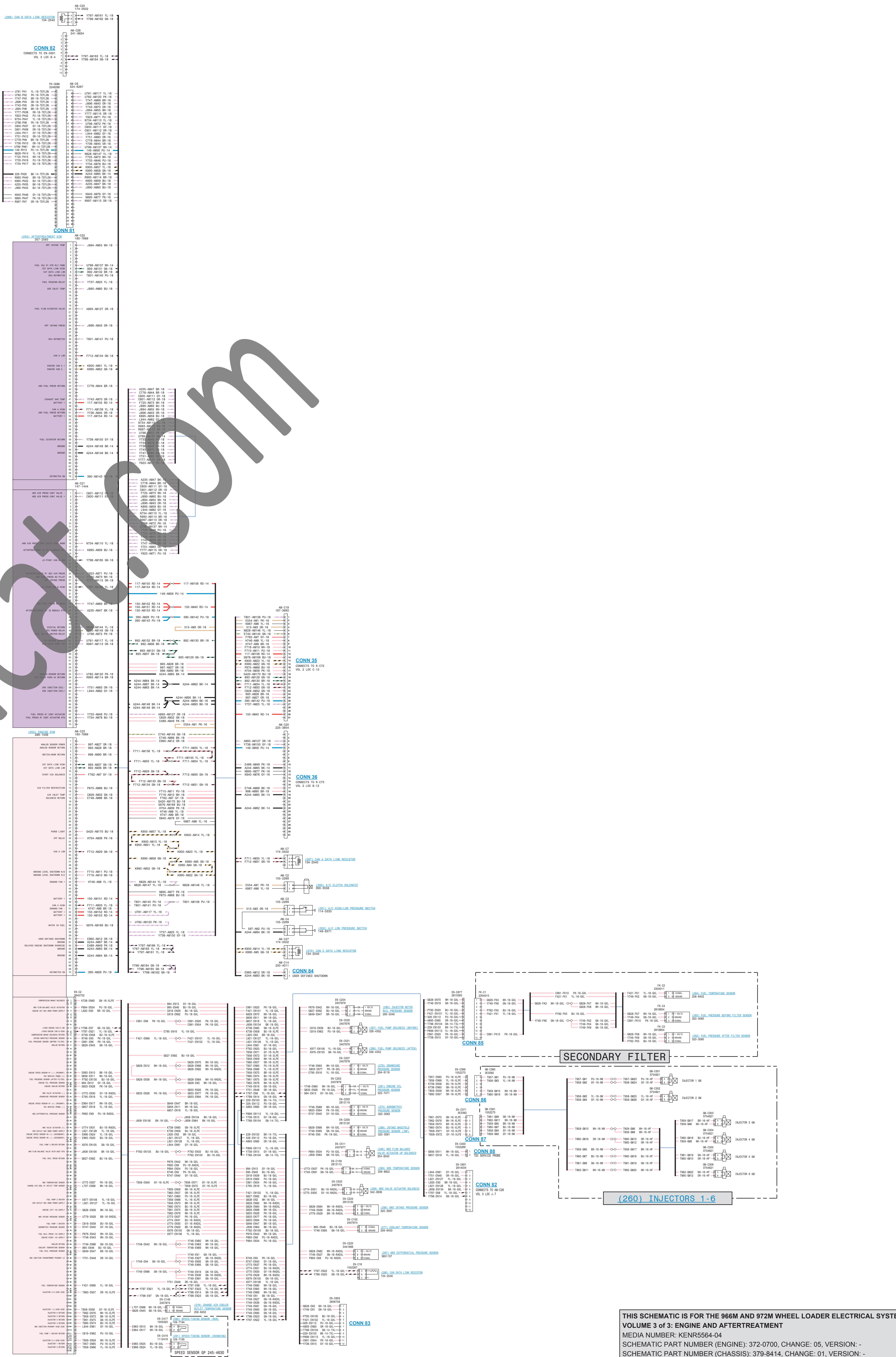
WIRE GROUP	WIRE NAME
EN T01	W791-EN02
EN T01	W798-EN03
EN T02	EN02-EN10
EN T02	EN04-EN17
EN T03	EN03-EN05
EN T03	EN06-EN14
EN T04	EN05-EN11
EN T04	EN07-EN18
EN T05	W792-EN01
EN T05	W793-EN14
EN T06	W797-EN01
EN T06	W798-EN17
MI T01	K840-MI01
MI T01	M800-MI02
FF T01	K840-FF06
FF T01	K854-FF07
FF T02	A236-FF05
FF T02	K855-FF02
FF T03	K800-FF07
FF T03	Q801-FF08
PH T01	K840-PH06
PH T01	K856-PH07
PH T02	A236-PH05
PH T02	K859-PH02
PH T03	Q800-PH07
PH T03	Q801-PH08
PJ T02	A236-PJ04
PJ T02	K866-PJ10
PJ T02	K890-PJ01
PJ T03	K890-PJ02
PJ T03	K890-PJ03
PJ T04	K890-PJ05
PJ T05	K800-PJ07
PJ T06	Q801-PJ13
PJ T06	K800-PJ04
PJ T06	K890-PJ06
PJ T07	K890-PJ01
PJ T08	K890-PJ07
PJ T08	K890-PJ08
PJ T08	K890-PJ09
PJ T08	K890-PJ10
PJ T08	K890-PJ11
PJ T08	K890-PJ12
PJ T08	K890-PJ13
PJ T08	K890-PJ14
PJ T08	K890-PJ15
PJ T08	K890-PJ16
PJ T08	K890-PJ17
PJ T08	K890-PJ18
PJ T08	K890-PJ19
PJ T08	K890-PJ20
PJ T08	K890-PJ21
PJ T08	K890-PJ22
PJ T08	K890-PJ23
PJ T08	K890-PJ24
PJ T08	K890-PJ25
PJ T08	K890-PJ26
PJ T08	K890-PJ27
PJ T08	K890-PJ28
PJ T08	K890-PJ29
PJ T08	K890-PJ30
PJ T08	K890-PJ31
PJ T08	K890-PJ32
PJ T08	K890-PJ33
PJ T08	K890-PJ34
PJ T08	K890-PJ35
PJ T08	K890-PJ36
PJ T08	K890-PJ37
PJ T08	K890-PJ38
PJ T08	K890-PJ39
PJ T08	K890-PJ40
PJ T08	K890-PJ41
PJ T08	K890-PJ42
PJ T08	K890-PJ43
PJ T08	K890-PJ44
PJ T08	K890-PJ45
PJ T08	K890-PJ46
PJ T08	K890-PJ47
PJ T08	K890-PJ48
PJ T08	K890-PJ49
PJ T08	K890-PJ50
PJ T08	K890-PJ51
PJ T08	K890-PJ52
PJ T08	K890-PJ53
PJ T08	K890-PJ54
PJ T08	K890-PJ55
PJ T08	K890-PJ56
PJ T08	K890-PJ57
PJ T08	K890-PJ58
PJ T08	K890-PJ59
PJ T08	K890-PJ60
PJ T08	K890-PJ61
PJ T08	K890-PJ62
PJ T08	K890-PJ63
PJ T08	K890-PJ64
PJ T08	K890-PJ65
PJ T08	K890-PJ66
PJ T08	K890-PJ67
PJ T08	K890-PJ68
PJ T08	K890-PJ69
PJ T08	K890-PJ70
PJ T08	K890-PJ71
PJ T08	K890-PJ72
PJ T08	K890-PJ73
PJ T08	K890-PJ74
PJ T08	K890-PJ75
PJ T08	K890-PJ76
PJ T08	K890-PJ77
PJ T08	K890-PJ78
PJ T08	K890-PJ79
PJ T08	K890-PJ80
PJ T08	K890-PJ81
PJ T08	K890-PJ82
PJ T08	K890-PJ83
PJ T08	K890-PJ84
PJ T08	K890-PJ85
PJ T08	K890-PJ86
PJ T08	K890-PJ87
PJ T08	K890-PJ88
PJ T08	K890-PJ89
PJ T08	K890-PJ90
PJ T08	K890-PJ91
PJ T08	K890-PJ92
PJ T08	K890-PJ93
PJ T08	K890-PJ94
PJ T08	K890-PJ95
PJ T08	K890-PJ96
PJ T08	K890-PJ97
PJ T08	K890-PJ98
PJ T08	K890-PJ99
PJ T08	K890-PJ100

IDENT	PART NUMBER	CHG	DESCRIPTION	NOTE
AM	389-6361	03	APPLICATION ENGINE	
EN	435-9410	00	MAIN ENGINE	
FK	350-3858	01	FUEL	
GM	399-4015	00	INTERNAL ENGINE HARNESS W/O BRAKE	
GM	390-3899	00	DEF INJECTOR JUMPER	
PA	430-9709	00	CAT CEM HARNESS (PLA-STYLE)	
PH	390-5495	00	CAT CEM HARNESS (A-STYLE)	
PT	596-3862	00	24V PTU	

WIRE GROUP COLOR DESCRIPTIONS	COLOR
GROUND CIRCUIT	RED
WIRE THAT HAVE SYSTEM VOLTAGE WHEN THE KEY SWITCH IS OFF	WHITE
WIRE THAT HAVE SYSTEM VOLTAGE WHEN THE KEY SWITCH IS ON	ORANGE
ENGINE CONTROL CIRCUIT	YELLOW
TURBO CHARGER WIRE CIRCUIT	PURPLE
CAN DATA LINK A	BLACK
CAN DATA LINK B	GRAY
CAN DATA LINK C	PINK
ANTENNA CONTROL CIRCUIT	BROWN
DCU CONTROL CIRCUIT	GREEN
RESISTORS	RED

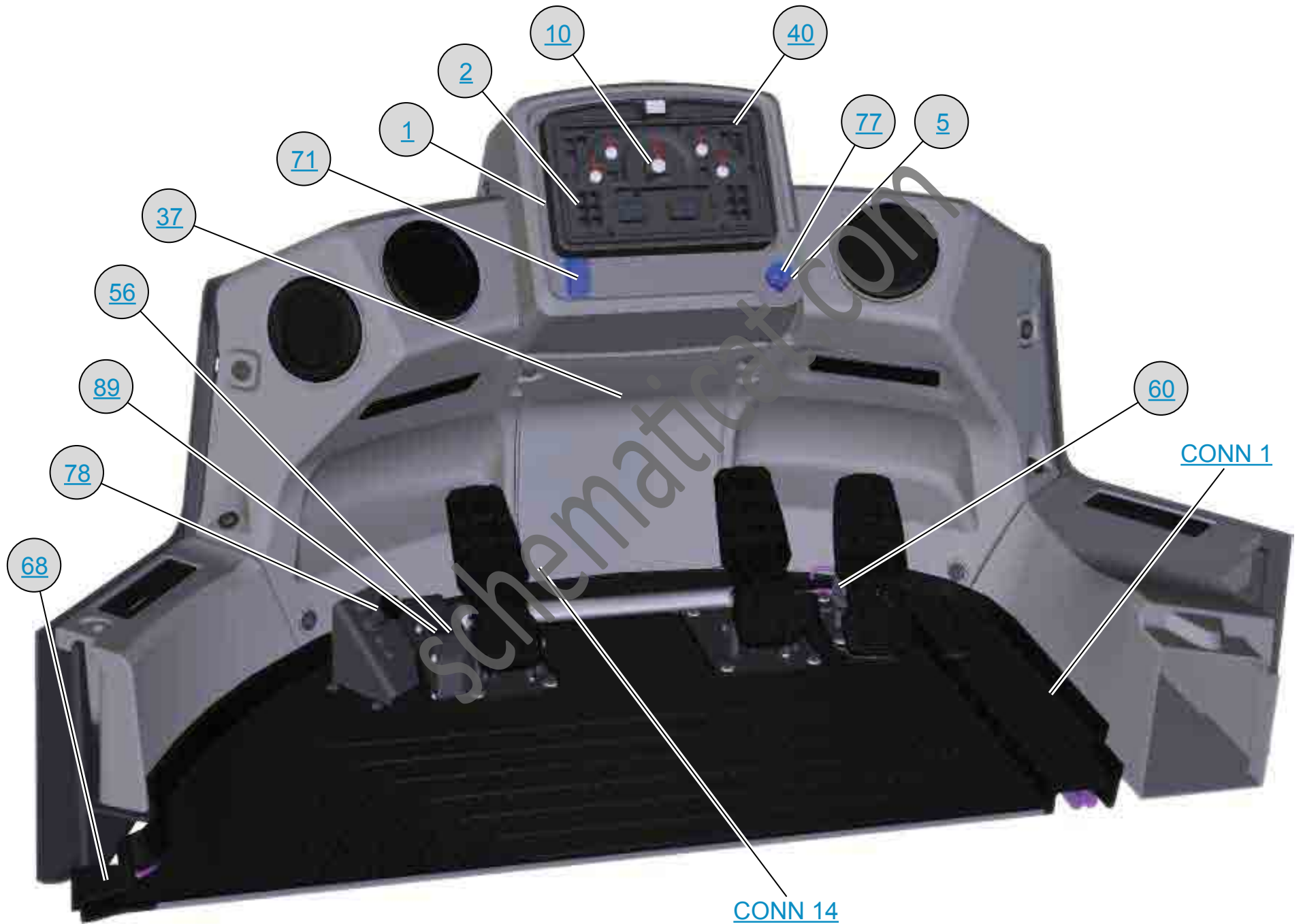
SYMBOL	DESCRIPTION
+	CIRCUIT CONNECTED
-	CIRCUIT NOT CONNECTED
⊕	RESISTOR CONNECTED TO
⊖	RESISTOR NOT CONNECTED TO
⊗	INTERNAL TO ELECTRICAL COMPONENT
⊙	EXTERNAL TO ELECTRICAL COMPONENT
—	CONNECTOR
⊞	CIRCUIT GROUPED DESIGNATION
⊟	WIRE WIRE CABLE COMPONENT
⊠	WIRE WIRE CABLE COMPONENT
⊡	WIRE WIRE WIRE OF BROWN TERMINAL

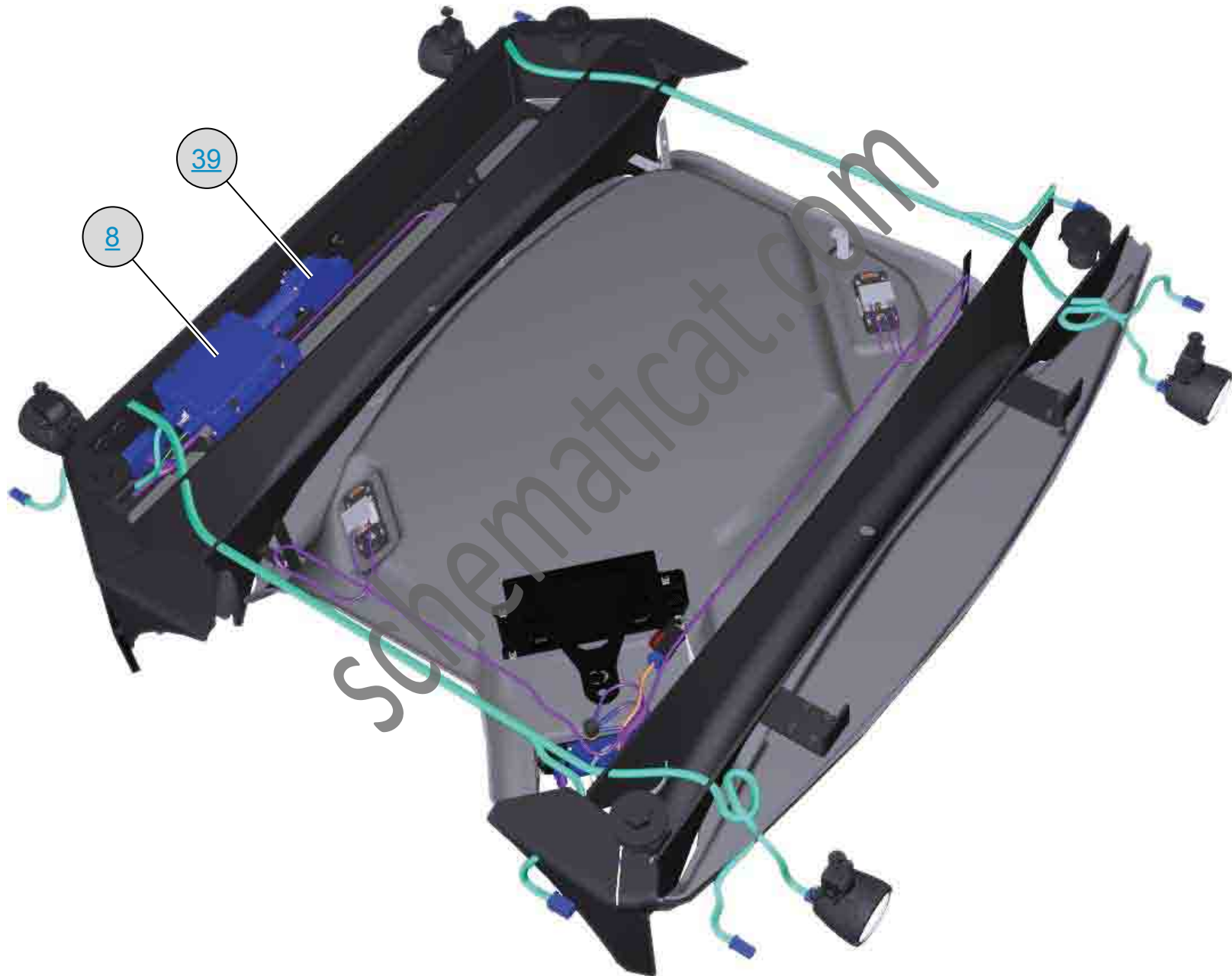
ABBREV	COLOR
RD	RED
WH	WHITE
OR	ORANGE
YL	YELLOW
PK	PINK
BLK	BLACK
GY	GRAY
PJ	PURPLE
BRN	BROWN
GN	GREEN
BU	BLUE

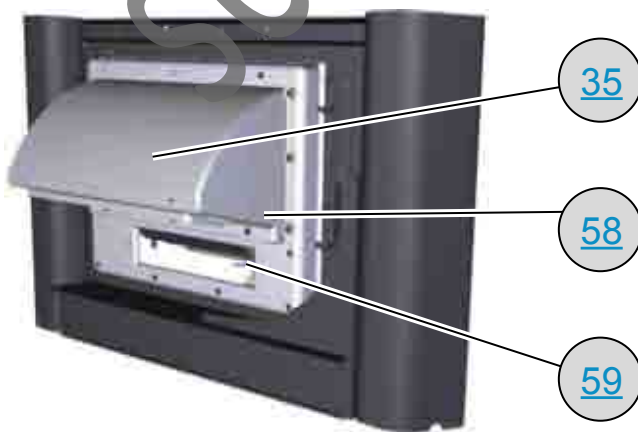
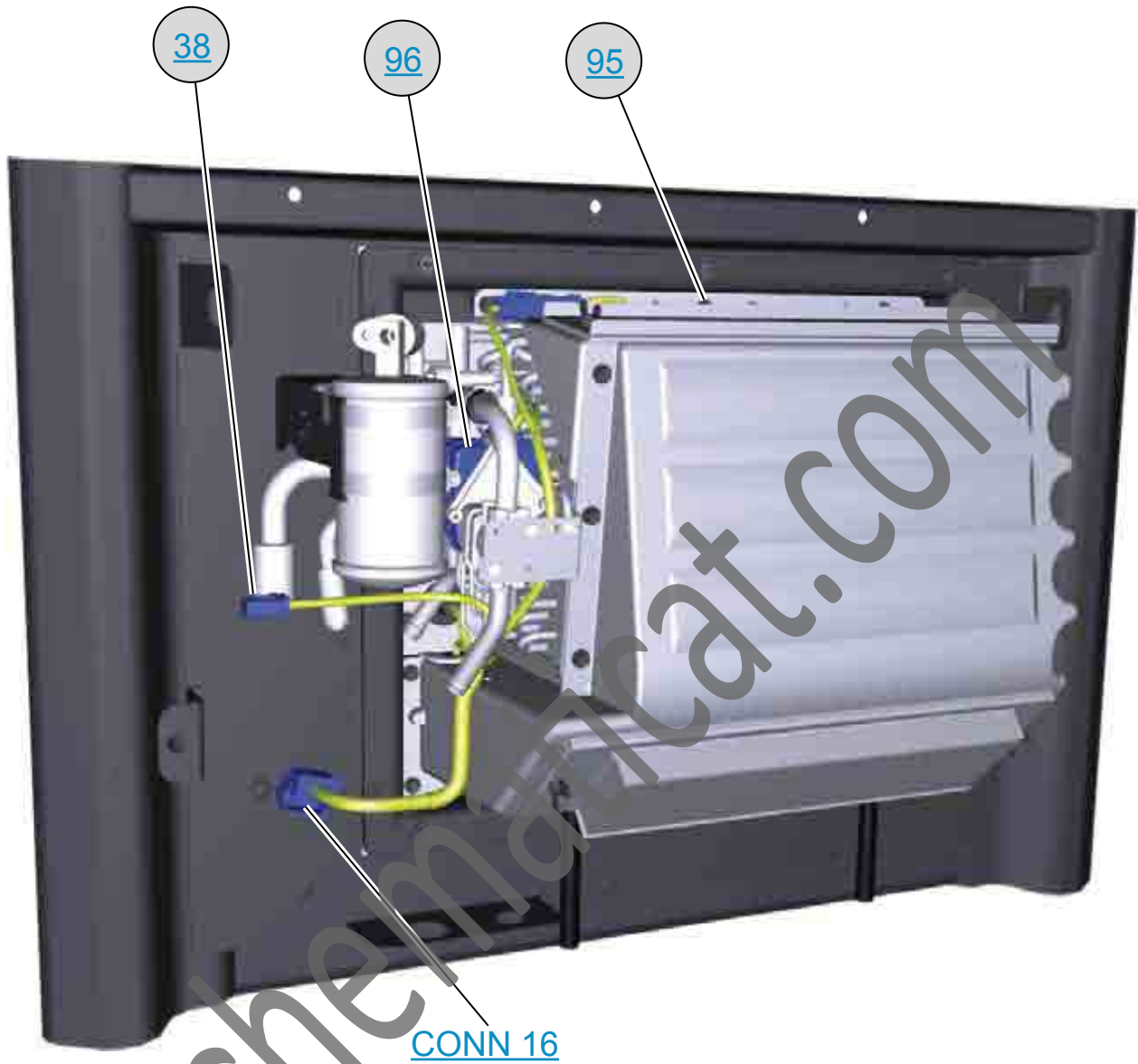


THIS SCHEMATIC IS FOR THE 966M AND 972M WHEEL LOADER ELECTRICAL SYSTEM
 VOLUME 3 of 3: ENGINE AND AFTERTREATMENT
 MEDIA NUMBER: KENR5564-04
 SCHEMATIC PART NUMBER (ENGINE): 372-0700, CHANGE: 05, VERSION: -
 SCHEMATIC PART NUMBER (CHASSIS): 379-8414, CHANGE: 01, VERSION: -
 Components are shown installed on a fully operate machine with the key and engine off, transmission in neutral and with parking brake set.
 Refer to the appropriate Service Manual for Troubleshooting, Specifications and Systems Operation.
 Refer to the Parts Manual using a specific serial number prefix in SIS before ordering parts from this schematic.

FRONT DASH VIEW

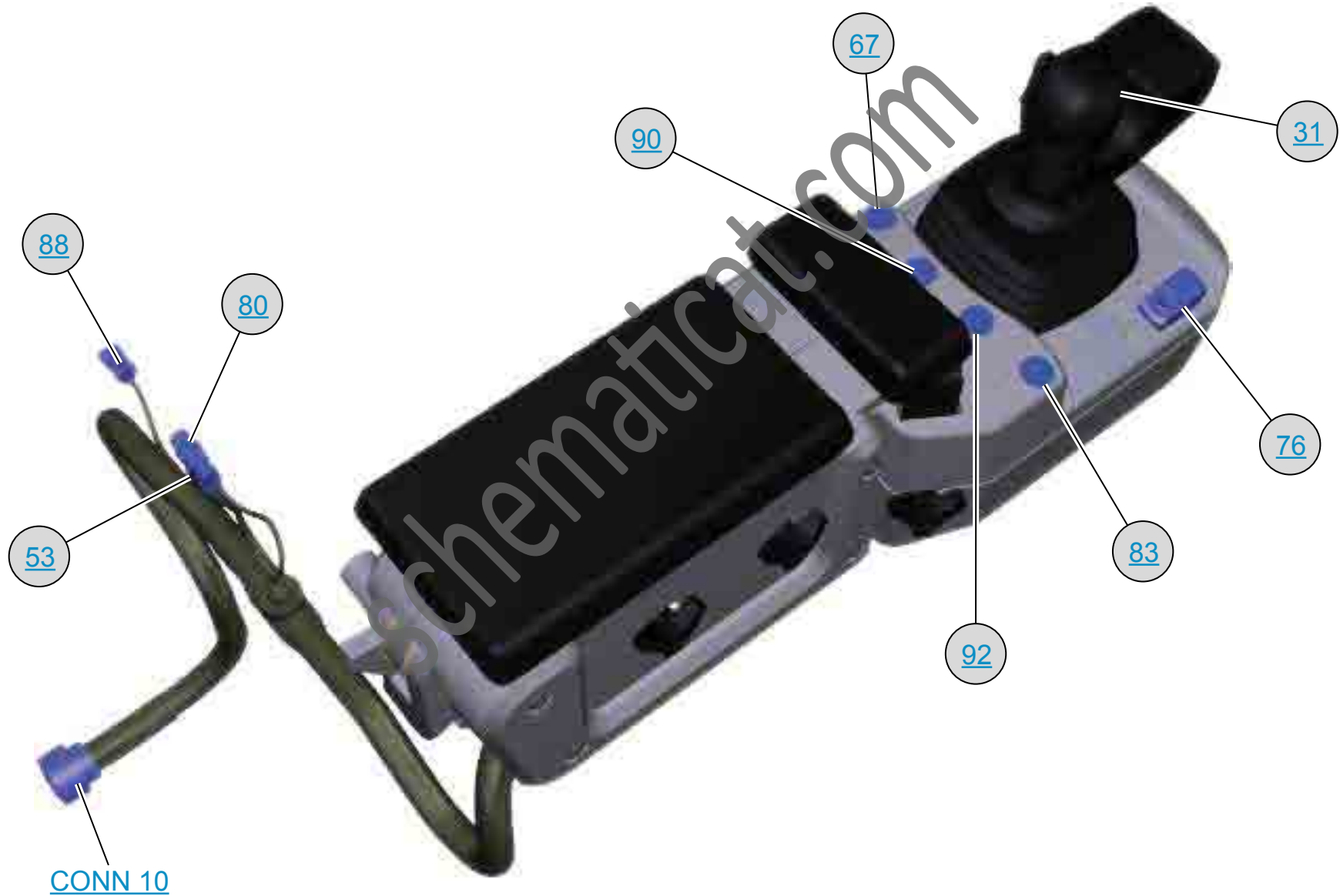




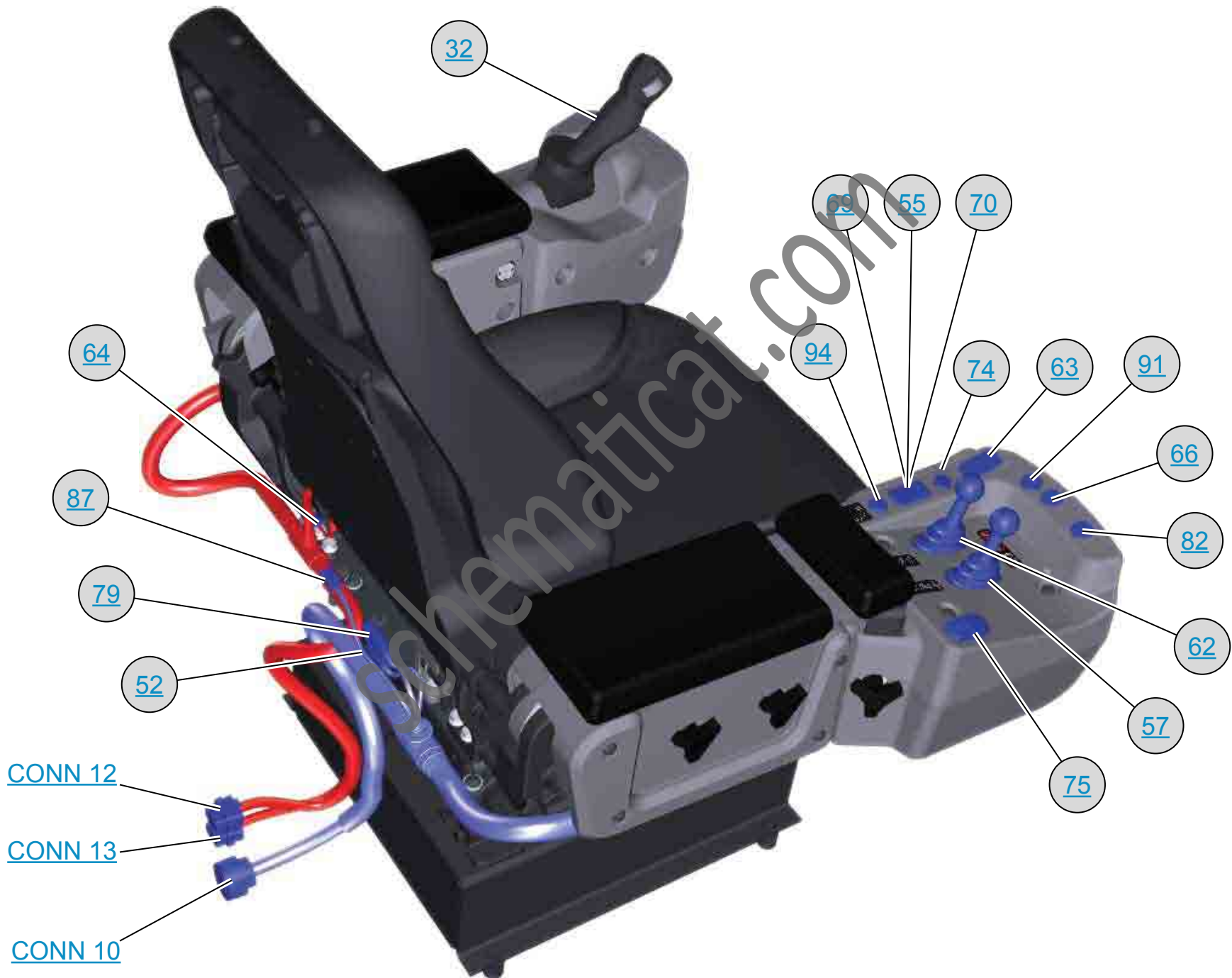


VIEW FROM INSIDE CAB

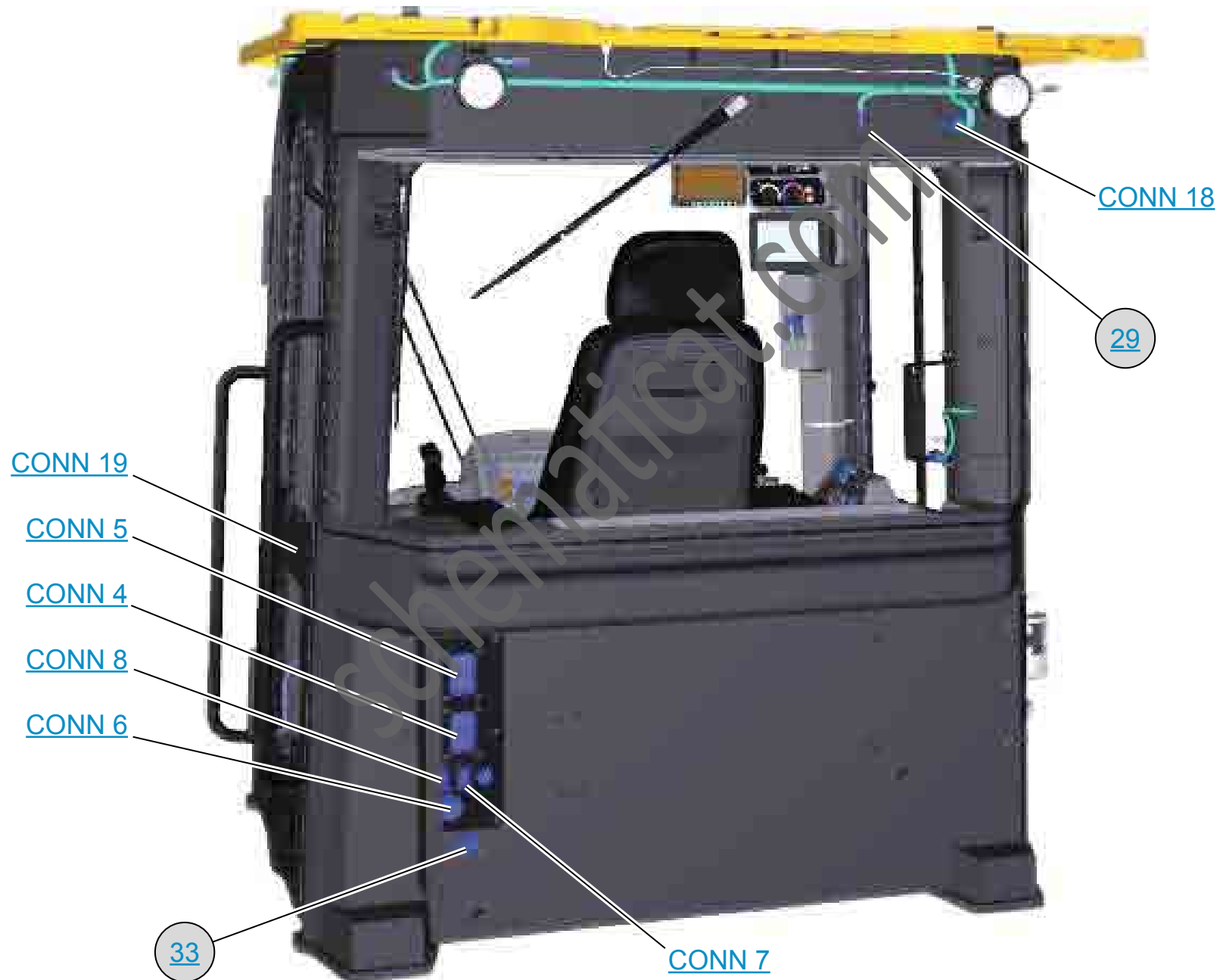
IMPLEMENT JOYSTICK VIEW



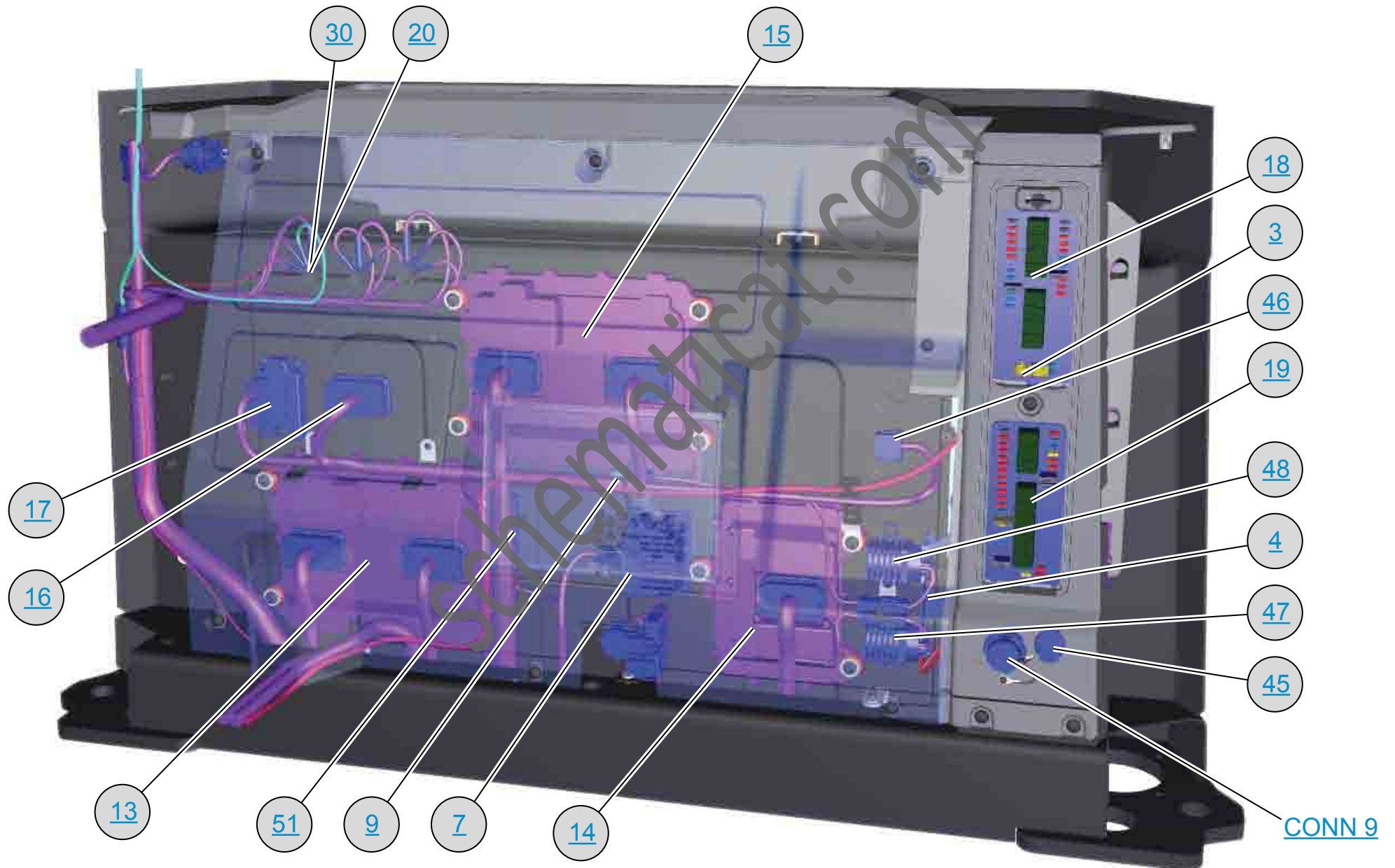
OPERATORS SEAT AND CONTROLS



REAR CAB VIEW

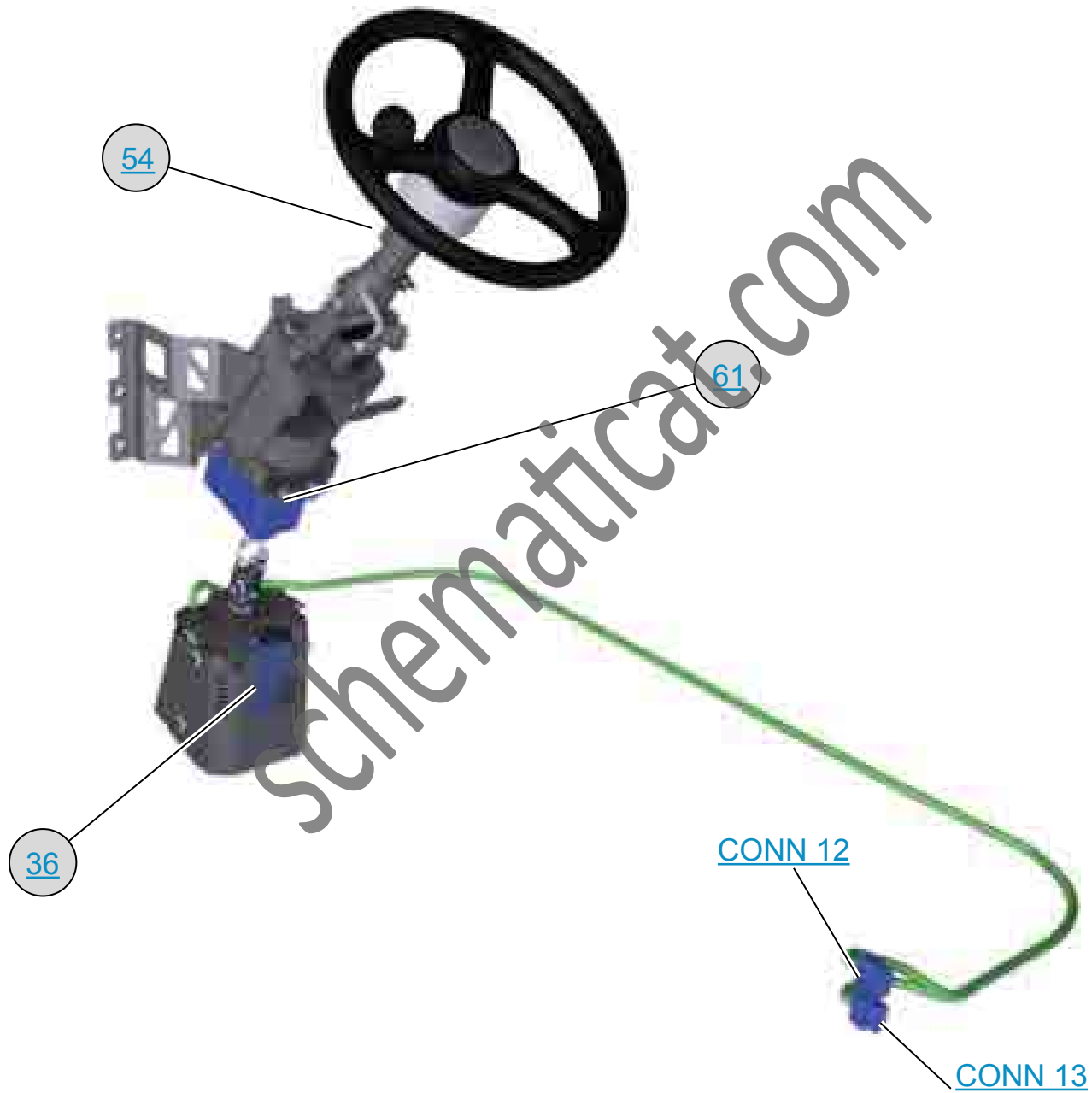


REAR CAB WALL VIEW

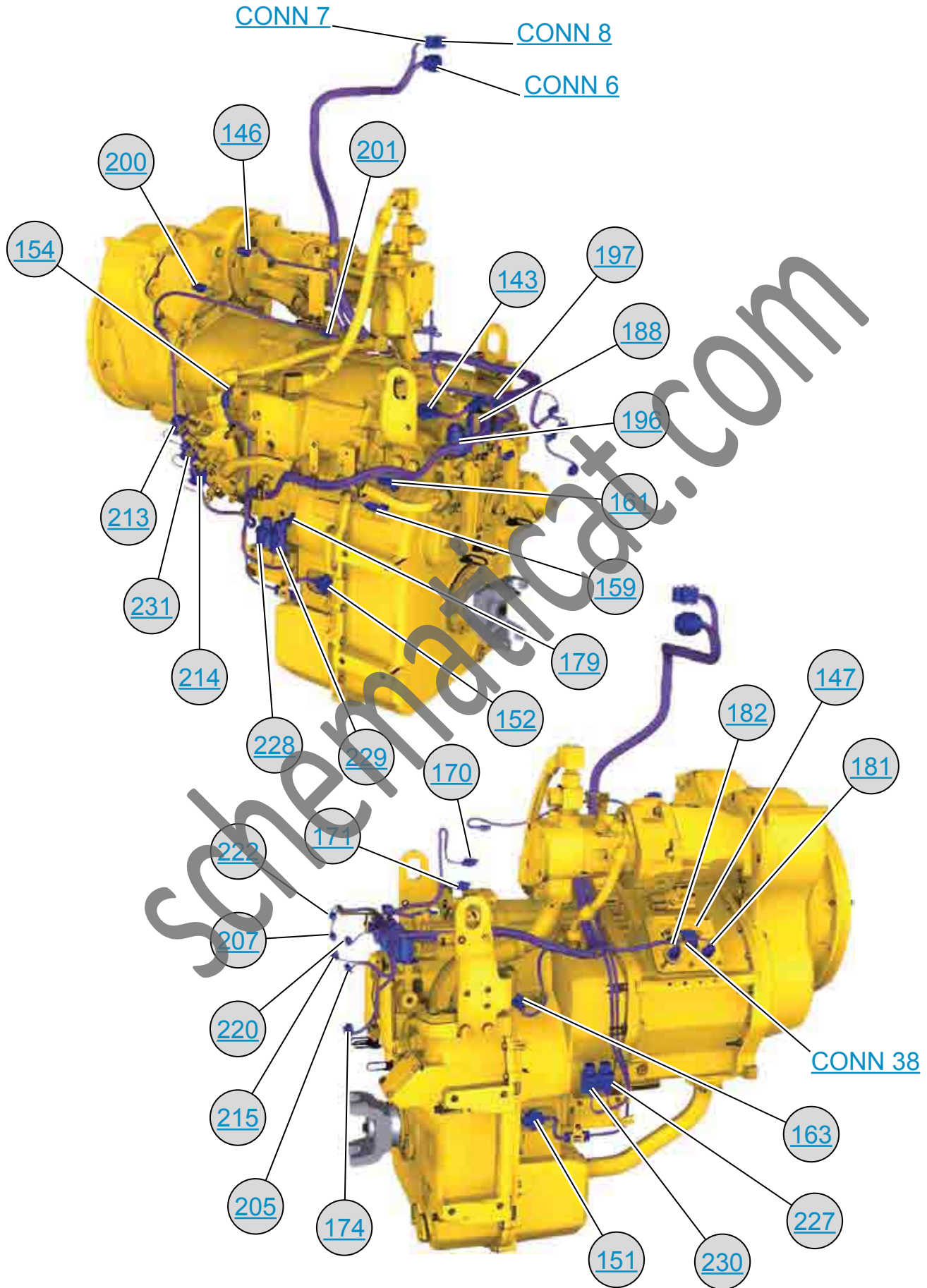


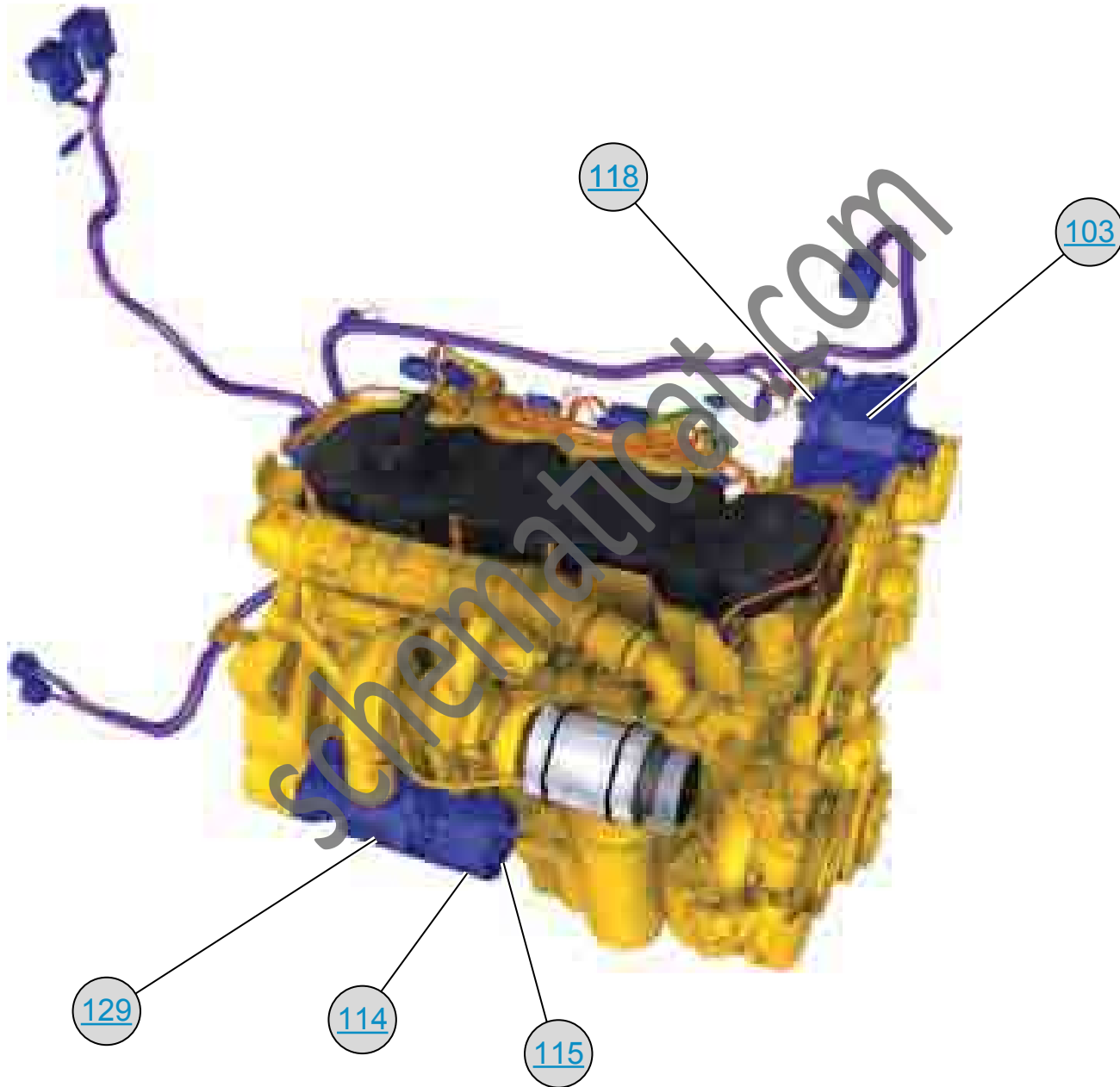


STEERING WHEEL

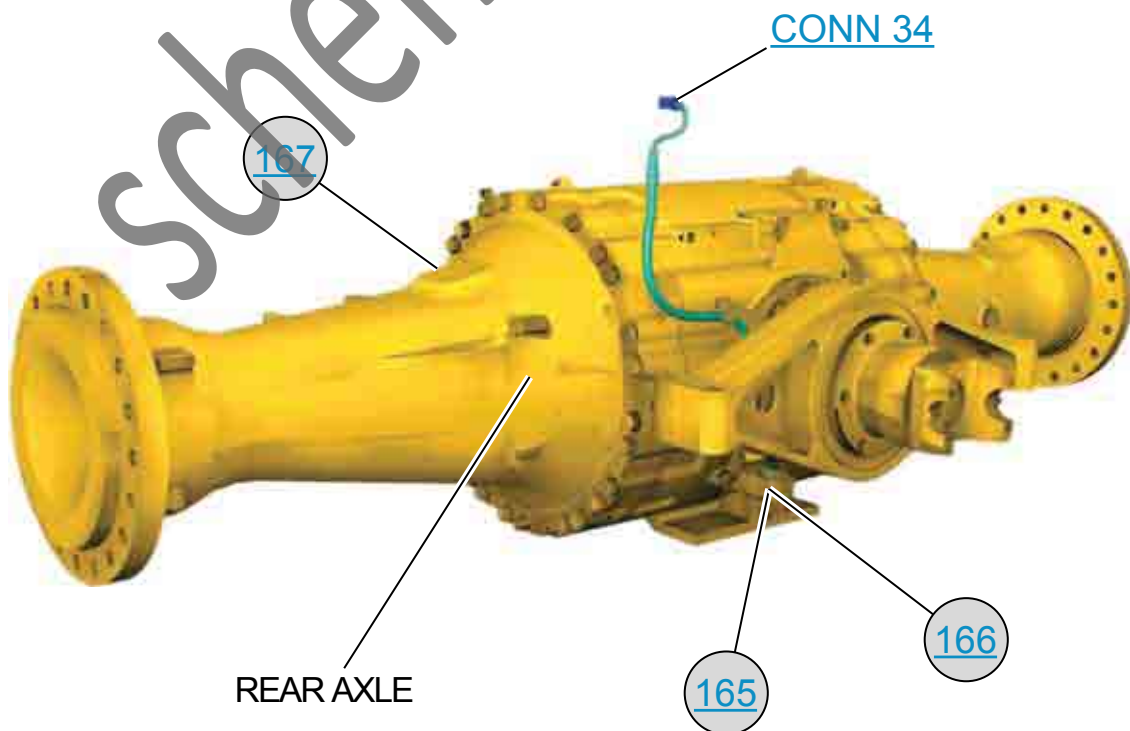
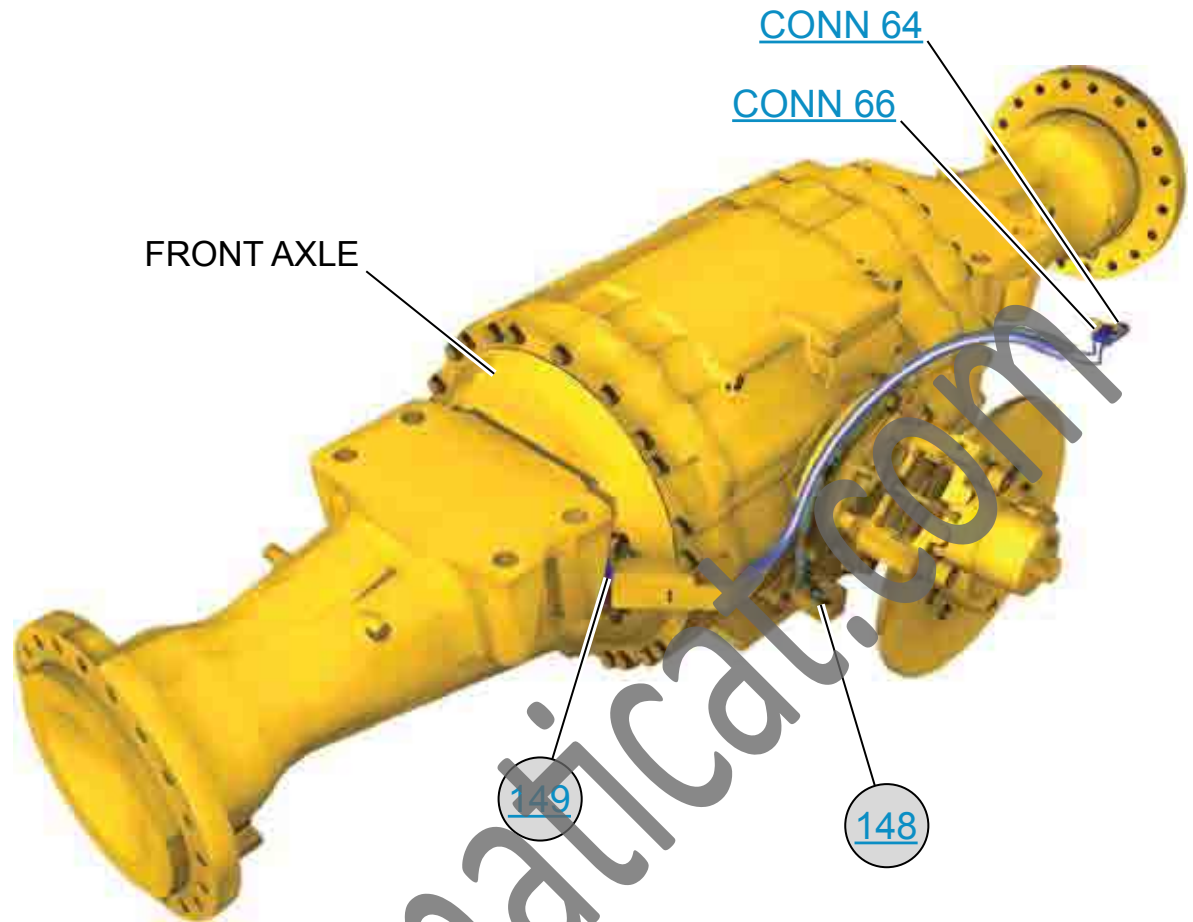


CVT TRANSMISSION

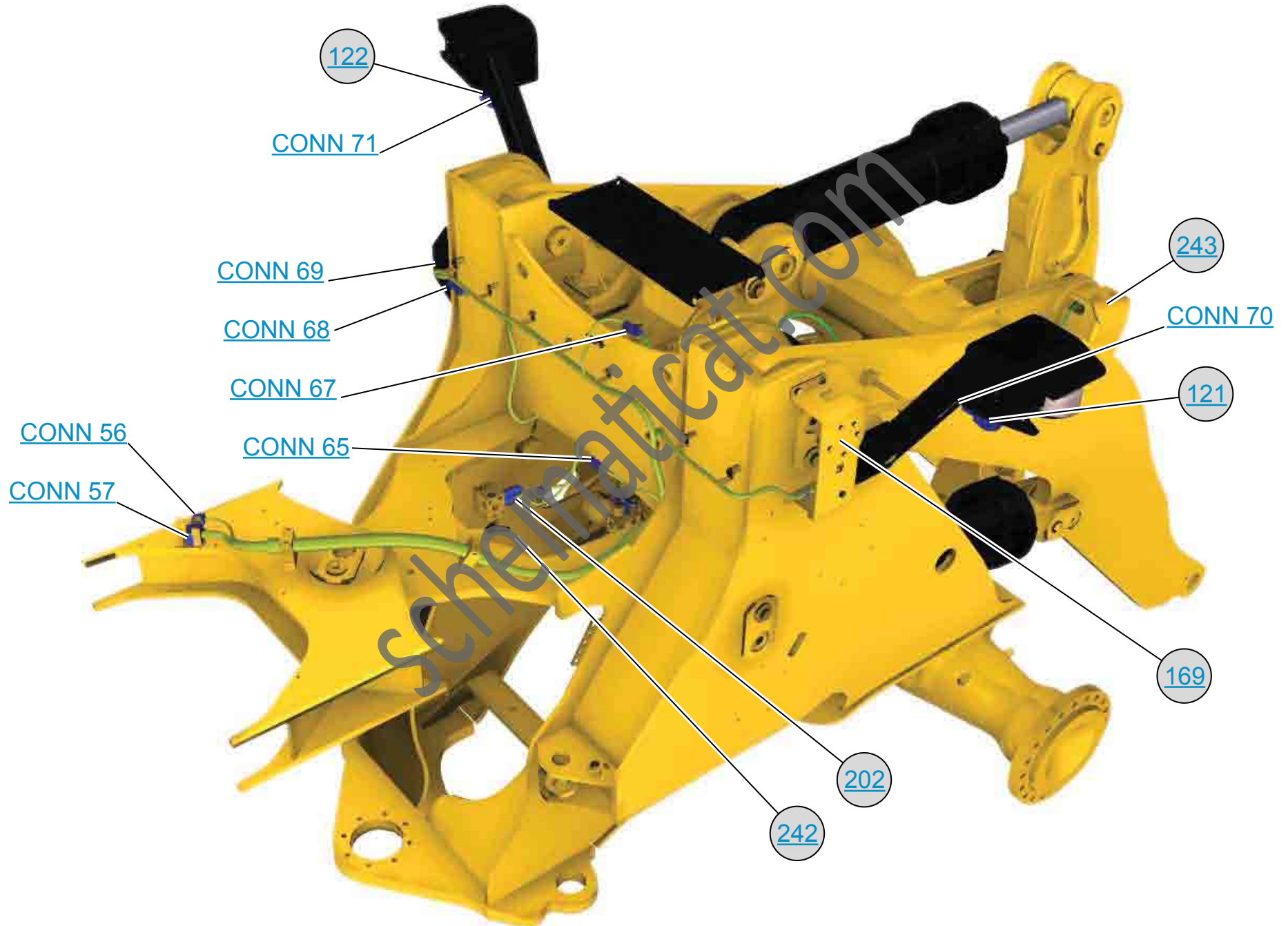




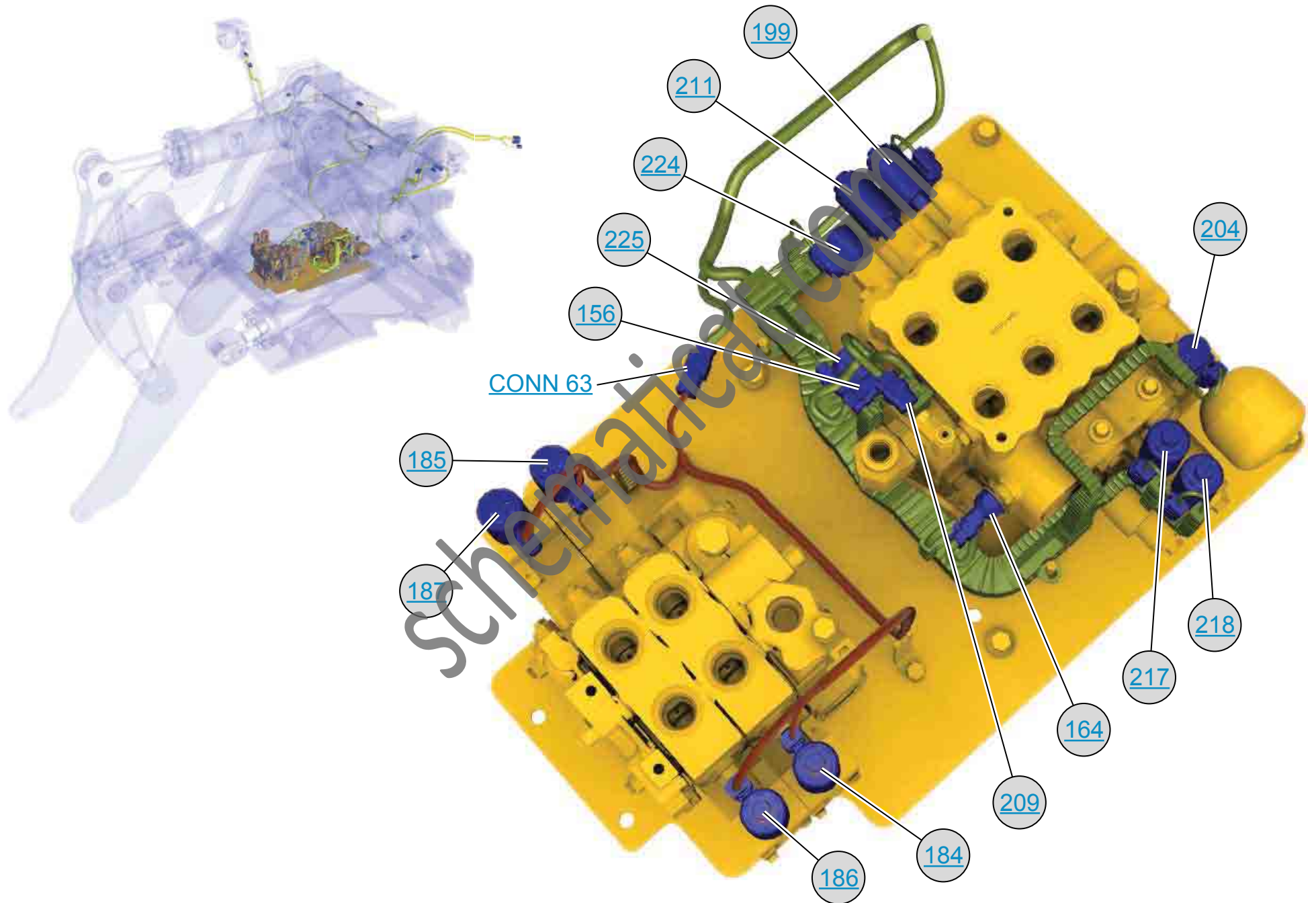
FRONT AND REAR AXLES



FRONT CHASSIS VIEW



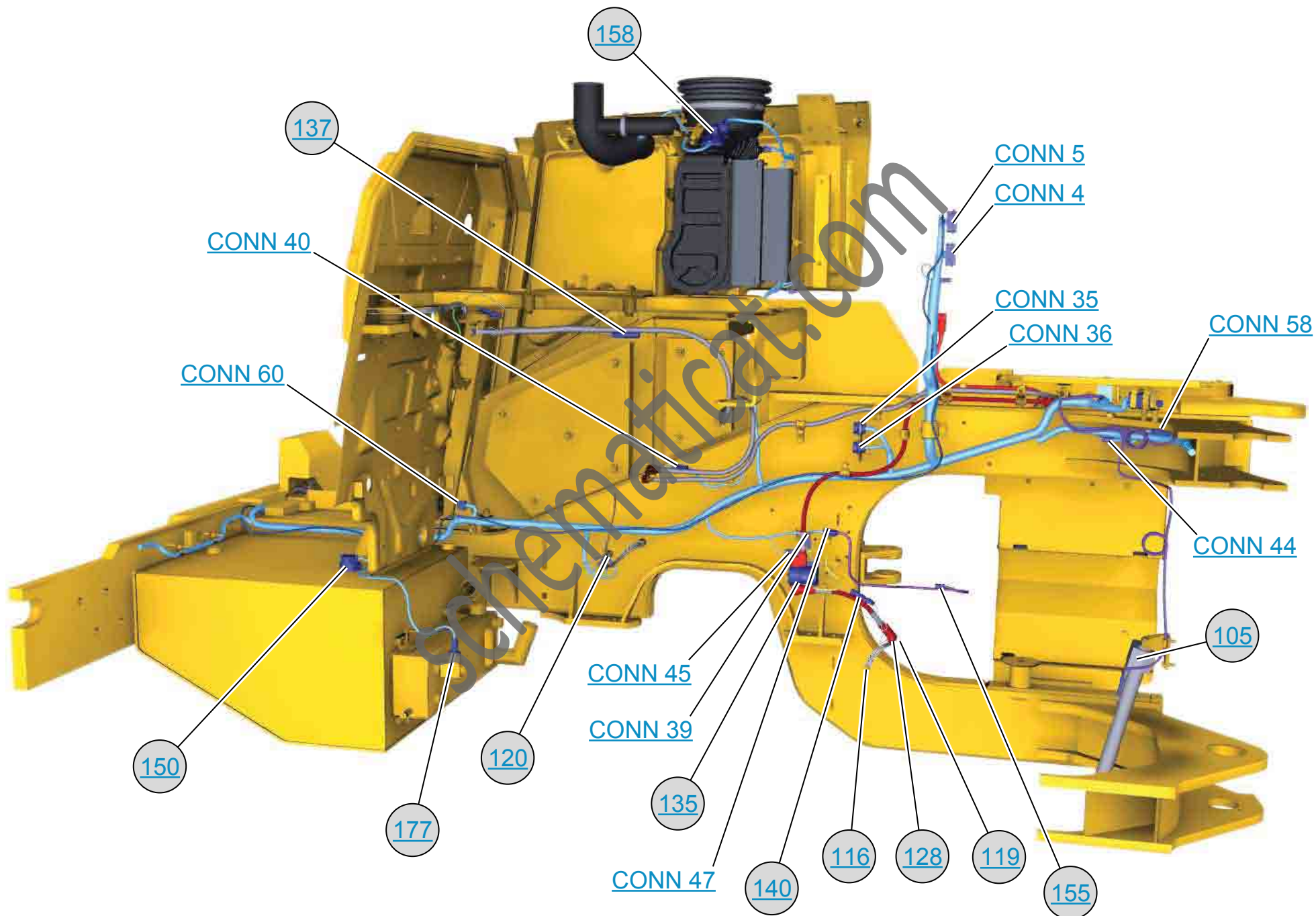
IMPLEMENT AND AUX VALVE



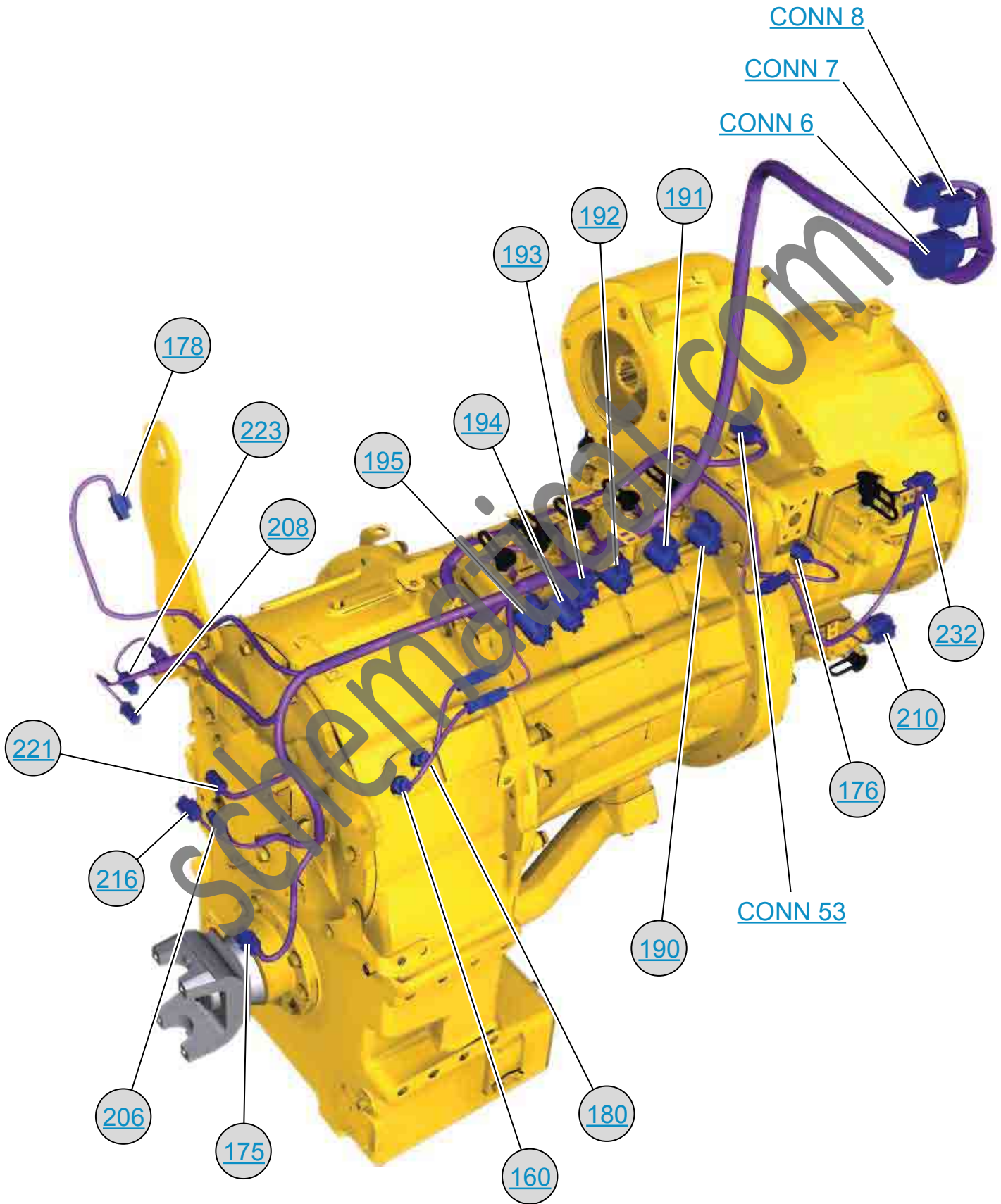
LH LADDER VIEW



LH REAR CHASSIS VIEW



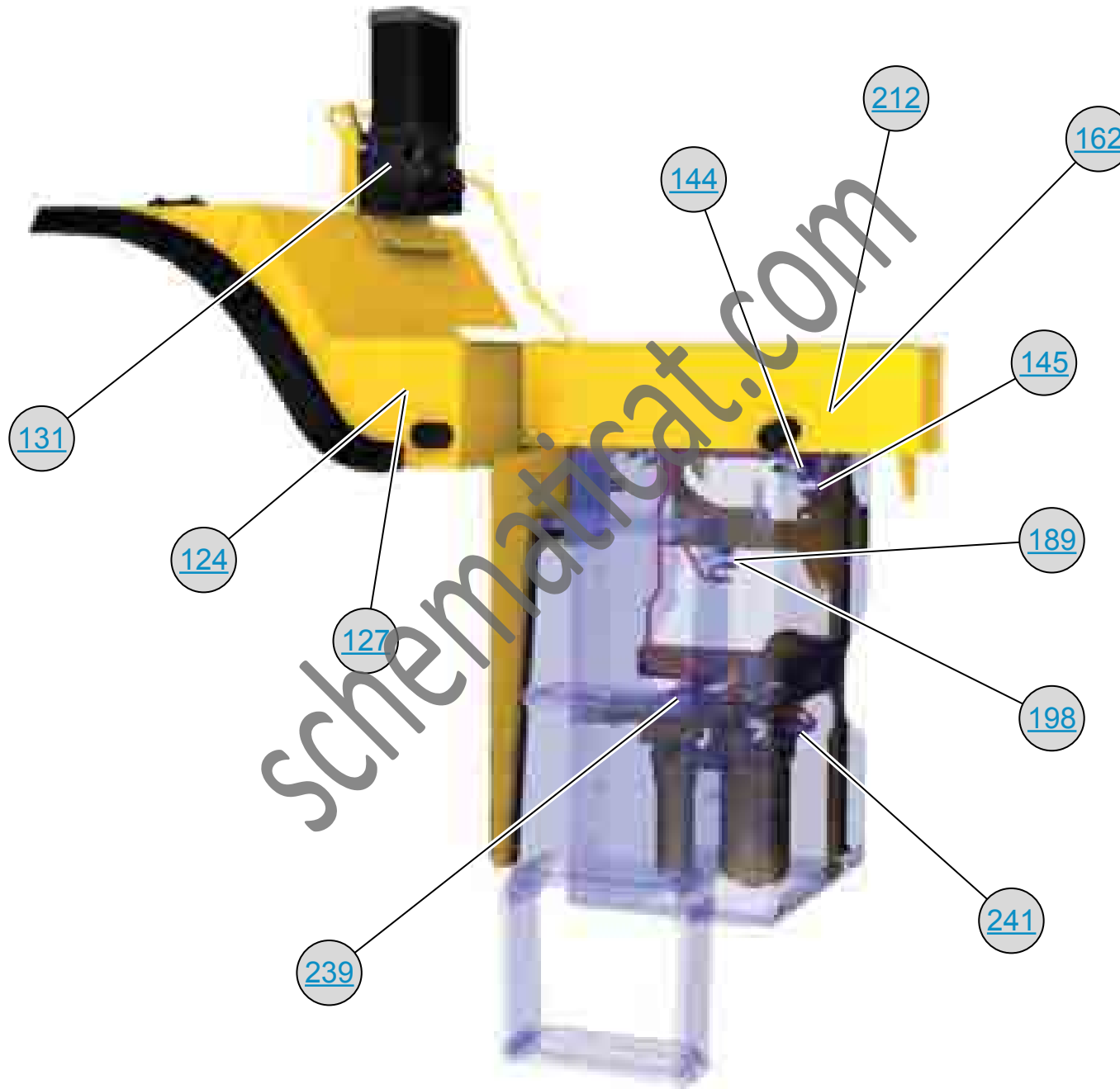
POWERSHIFT TRANSMISSION



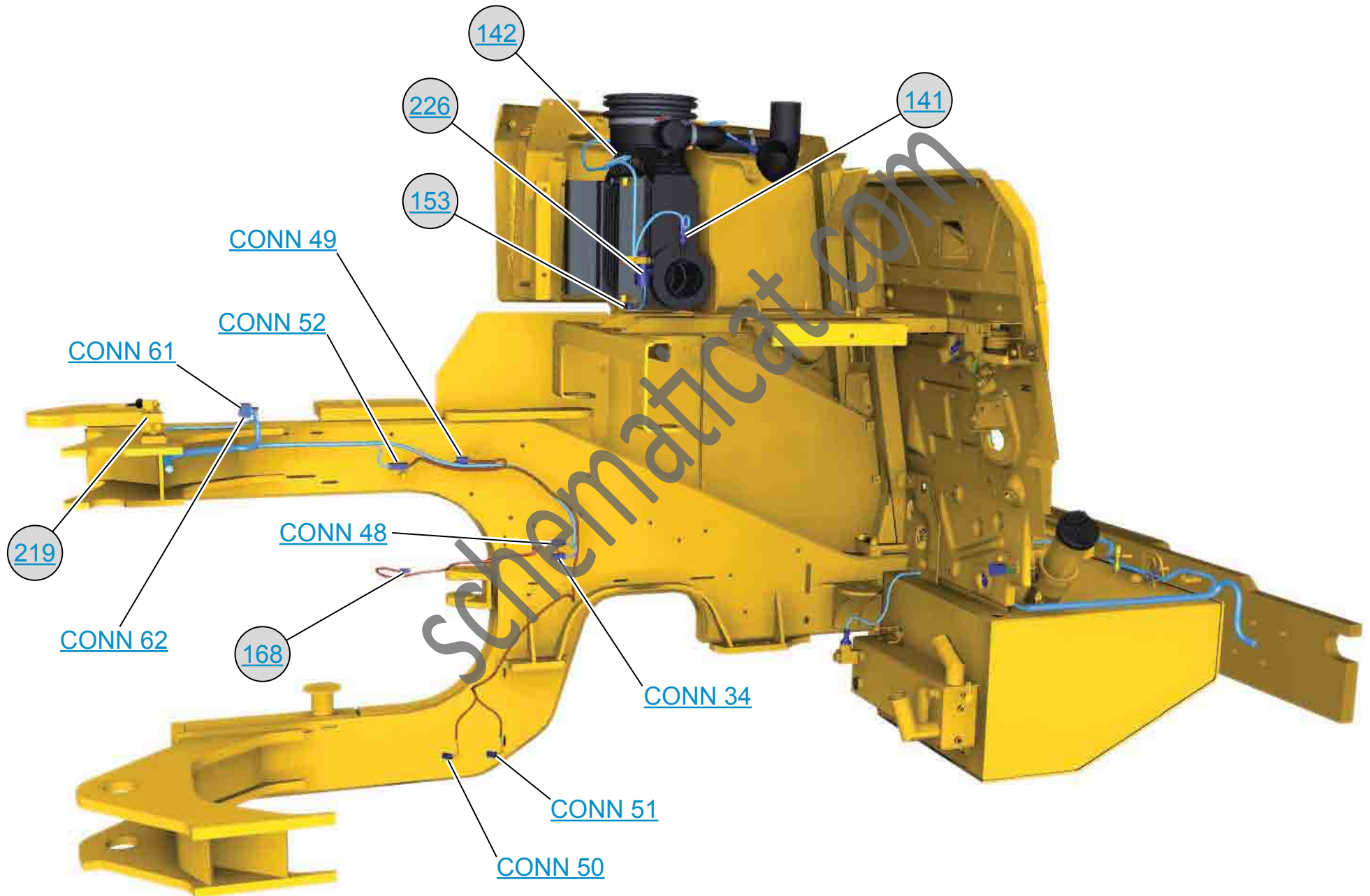
REAR COMPARTMENT VIEW

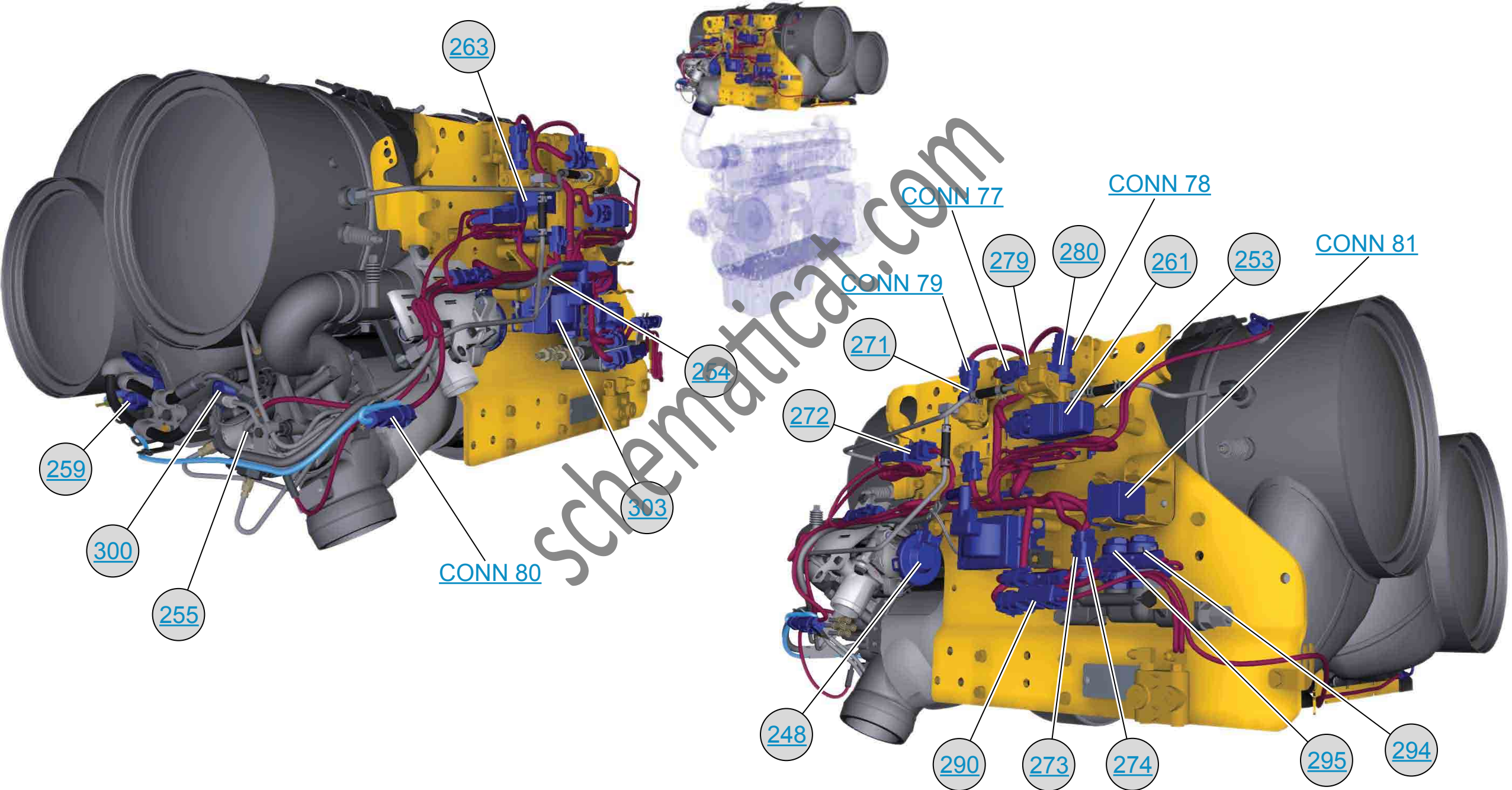


RH LADDER VIEW

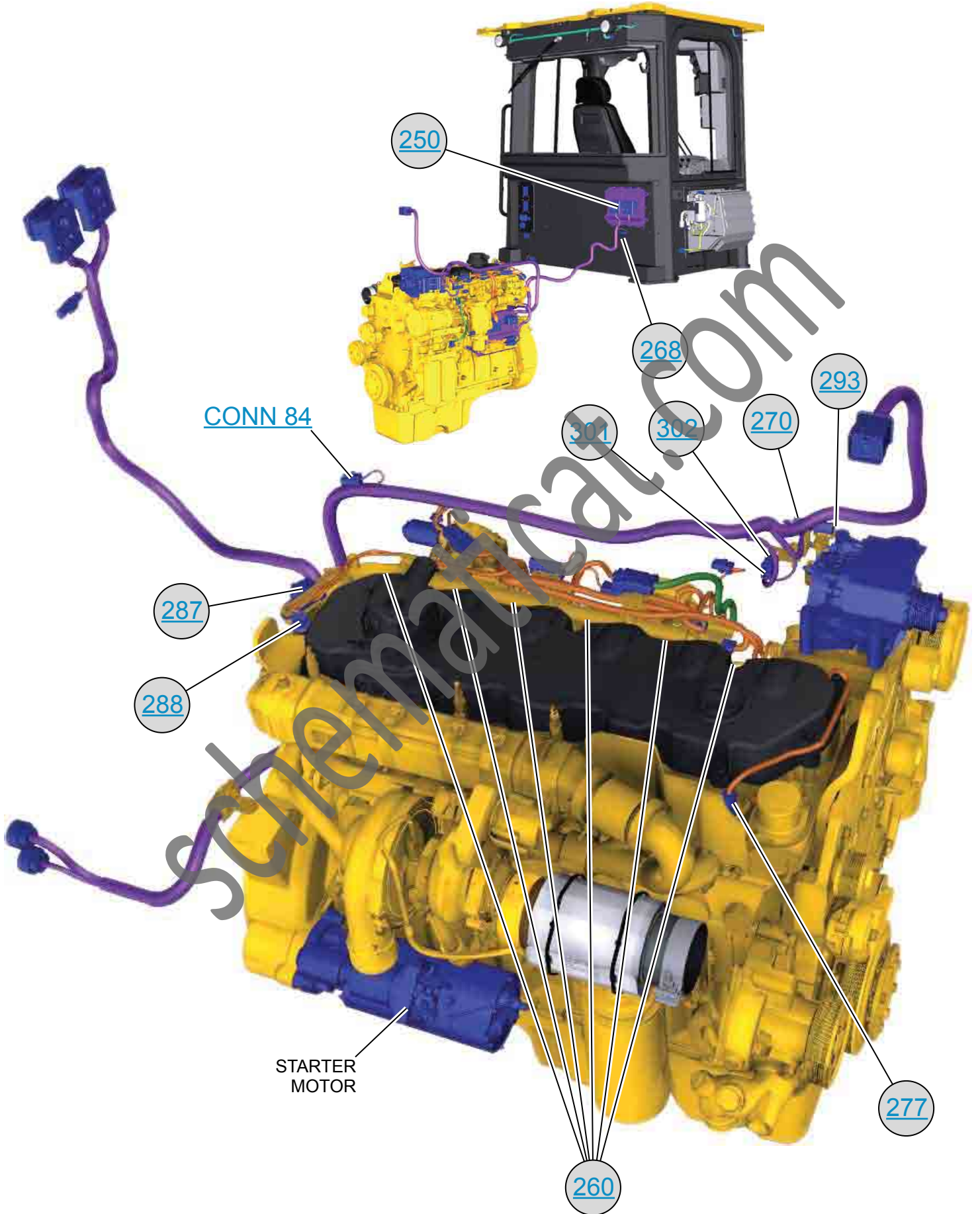


RH REAR CHASSIS VIEW

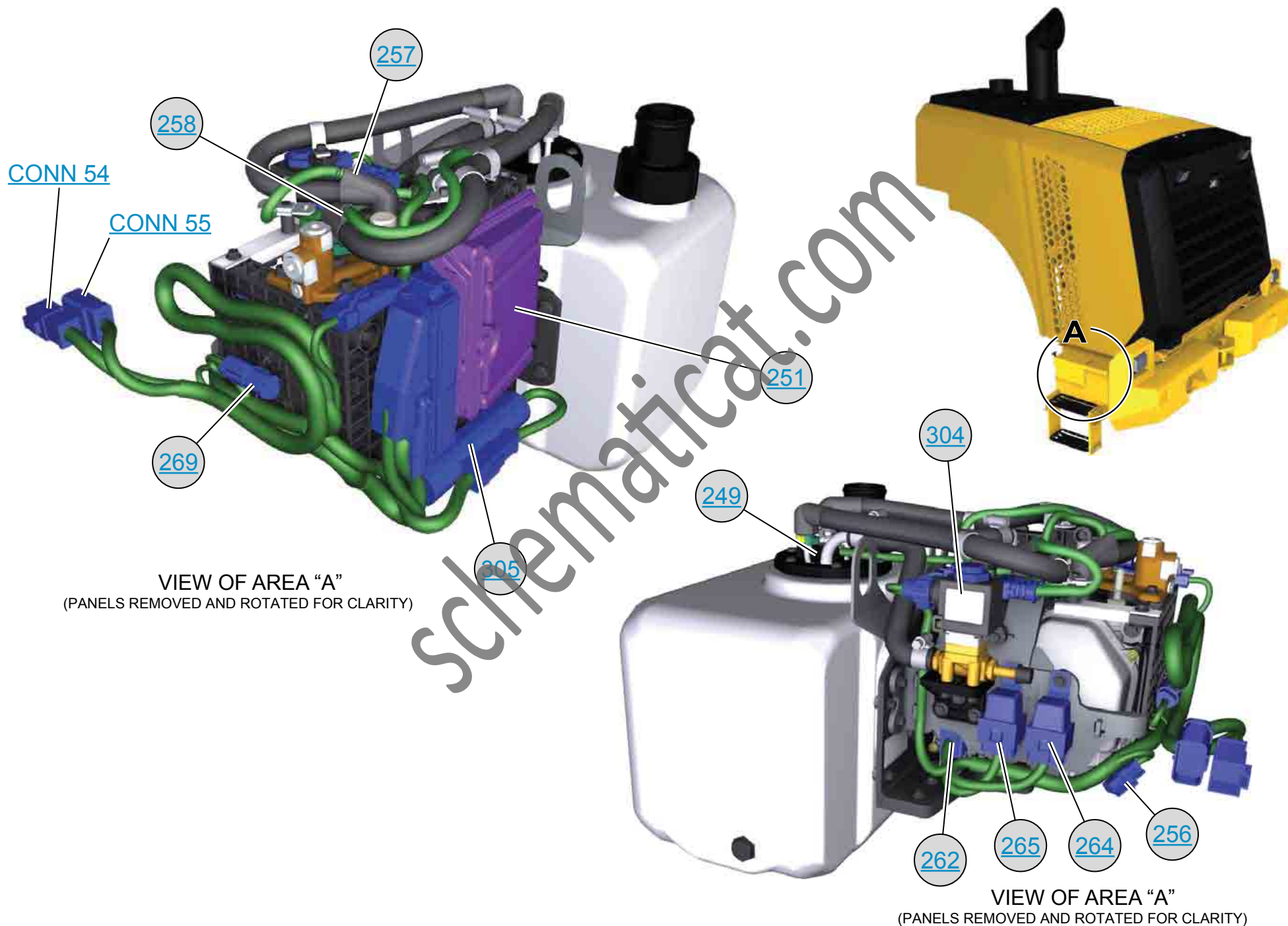




LH ENGINE VIEW



PUMP TANK UNIT



RH ENGINE VIEW

